

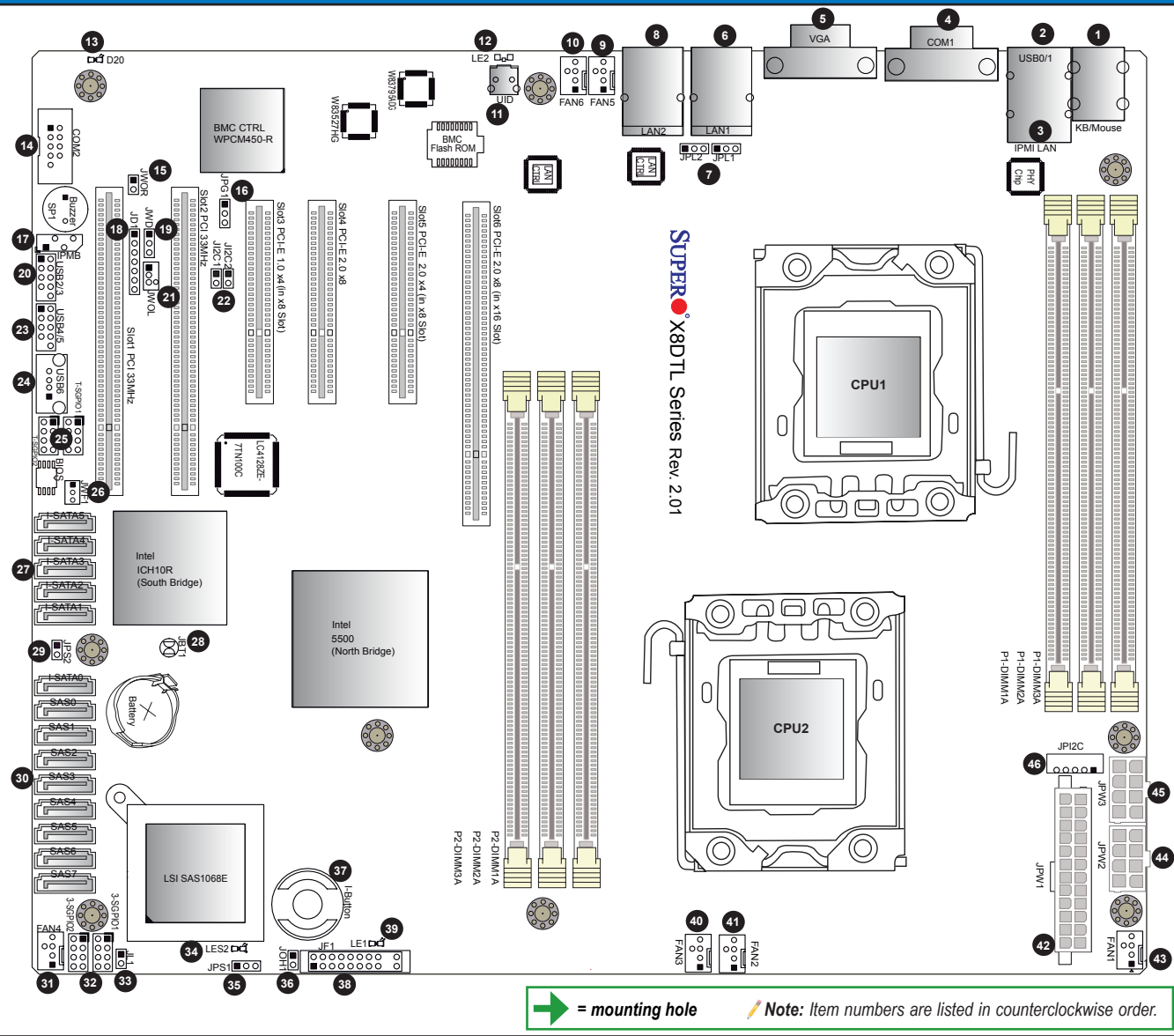
**CONTACT INFORMATION**

- www.supermicro.com (Email: support@supermicro.com)
- Manuals: http://www.supermicro.com/support/manuals
- Drivers & Utilities: ftp://ftp.supermicro.com
- Safety: http://www.supermicro.com/about/policies/safety\_information.cfm

**PACKAGE CONTENTS** (Applies to single-pack only)

- One (1) Supermicro Motherboard
- Six (6) Serial ATA Cables (X8DTL-i/-iF)
- Eight (8) Serial ATA Cables (X8DTL-3/-3F)
- One (1) IO Back Panel Shield

**Motherboard Layout and Features**



➔ = mounting hole    Note: Item numbers are listed in counterclockwise order.

**Jumpers, Connectors, and LED Indicators**

**Jumpers**

Jumper	Item #	Description	Default
JBT1	29	CMOS Clear	Open (Normal)
JI <sup>2</sup> C1/JI <sup>2</sup> C2	22	SMB to PCI/PCI-E Slots	Open/Open (Disabled)
JPG1	16	VGA Enabled	Pins 1-2 (Enabled)
JPL1/JPL2	7	LAN1/2 Enable	Pins 1-2 (Enabled)
JPS1	35	SAS Enable	Pins 1-2 (Enabled) (X8DTL-3/3F)
JPS2	28	SAS RAID Select	Closed (SR RAID Enabled) (X8DTL-3/3F)
JWD	19	Watch Dog	Pins 1-2 (Reset)

**Connectors**

Connectors	Item#	Description
COM1, COM2	4, 14	COM1/COM2 Serial Port/Header
FAN 1, FAN 2	43, 41	CPU Fan Headers
FAN 3-6	40, 31, 9, 10	System Fan Headers
I-Button	37	I-Button for RAID data storage (for X8DTL-3/3F only)
IPMB	17	IPMB I <sup>2</sup> C Header (for an IPMI card) (for X8DTL-iF/3F only)
IPMI LAN	3	Dedicated IPMI LAN (X8DTL-3F/iF)
JPI <sup>2</sup> C	46	Power Supply SMBbus I <sup>2</sup> C Header
JD1	18	PWR LED/Speaker Header (Pins 4~7: Speaker)
JF1	38	Front Panel Connector
JL1	33	Chassis Intrusion Header
JOH1	36	Overheat LED Header
JPW1	42	24-pin ATX PWR, 8-pin Secondary PWR
JPW2, JPW3	44, 45	8-pin Secondary PWR
JWF1	26	DOM (Disk-On-Module) Power Connector
JWOL	21	Wake-On-LAN Header
JWOR	15	Wake-On-Ring Header
Keyboard/Mouse	1	PS/2 Keyboard and Mouse
LAN1, LAN2	6, 8	G-LAN (RJ45) Ports (Dedicated LAN: X8DTL-iF/3F)
I-SATA0 ~ I-SATA5	27	(Intel South Bridge) SATA Ports
SAS 0-7	30	SAS Ports 0-7 (for X8DTL-3/-3F only)
3-SGPIO-1, 3-SGPIO-2	32	Serial General Purpose I/O Headers for SAS (X8DTL-3/3F)
T-SGPIO-1, T-SGPIO-2	25	Serial General Purpose I/O Headers for SATA
USB 0/1, 2/3, 4/5, 6	2, 20, 23, 24	Universal Serial Bus (USB) Ports
UID	11	Rear Unit Identify Switch
VGA	5	VGA Connector

**LED Indicators**

LED	Item#	Description	State	Status
D20	13	BMC Heartbeat LED Indicator	Blinking	BMC Normal
LE1	39	Onboard Standby LED Indicator	Green	System Power On
LE2	12	Rear UID LED		
LES2	34	SAS Heartbeat LED	Blinking	SAS Normal

**Memory Support**

This motherboard supports up to 96 GB of Registered (RDIMM) ECC or up to 24 GB of Unbuffered (UDIMM) ECC/Non-ECC DDR3 800/1066/1333 MHz 3-channel (per CPU) memory in 6 DIMM slots.

**Note:** For memory optimization, use only DIMM modules that have been validated by Supermicro. For the latest memory updates, please refer to our website at <http://www.supermicro.com/products/motherboard>.

**DIMM Installation**

Insert the desired number of DIMMs into the memory slots, starting with P1-DIMM1A. For memory to work properly, follow the tables below for memory population order. Refer to the motherboard layout (at left) for the location of the DIMM slots.

**Memory Population for Optimal Performance For a motherboard with One CPU (CPU1) installed (To Populate P1-DIMM slots)**

	Branch 0	Branch 1	Branch 2
3 DIMMs	P1-1A	P1-2A	P1-3A

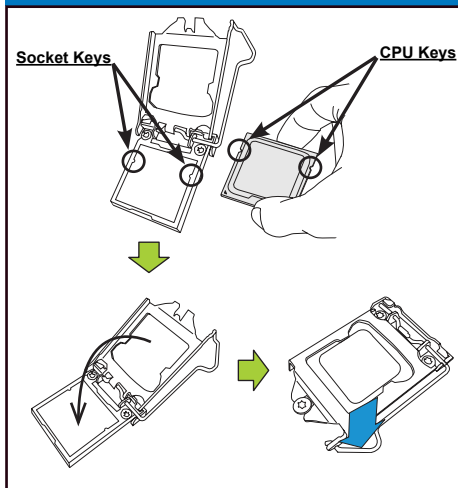
**Memory Population for Optimal Performance For a motherboard with One CPU (CPU2) installed (To Populate P2-DIMM slots)**

	Branch 0	Branch 1	Branch 2
3 DIMMs	P2-1A	P2-2A	P2-3A

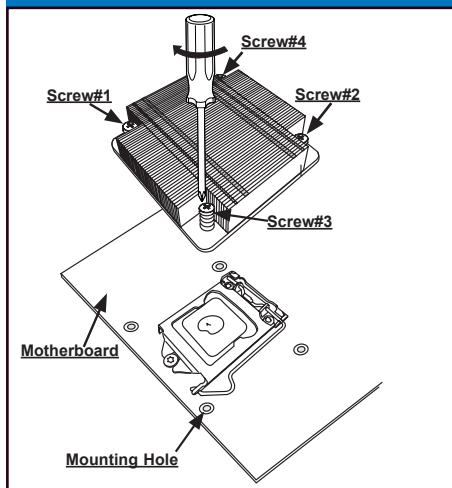
**Memory Population for Optimal Performance For a motherboard with Two CPUs installed**

	CPU1 (To populate P1-DIMMs)			CPU2 (To populate P2-DIMMs)		
	Branch 0	Branch 1	Branch 2	Branch 0	Branch 1	Branch 2
6 DIMMs	P1-1A	P1-2A	P1-3A	P2-1A	P2-2A	P2-3A

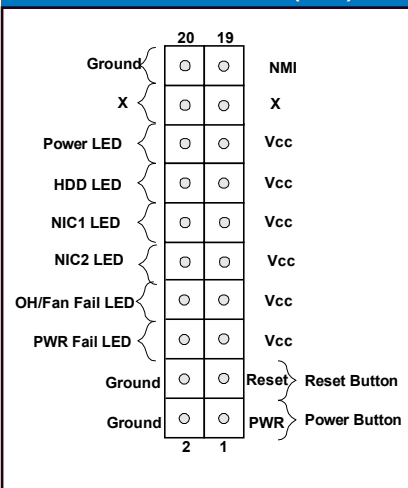
**CPU Installation**



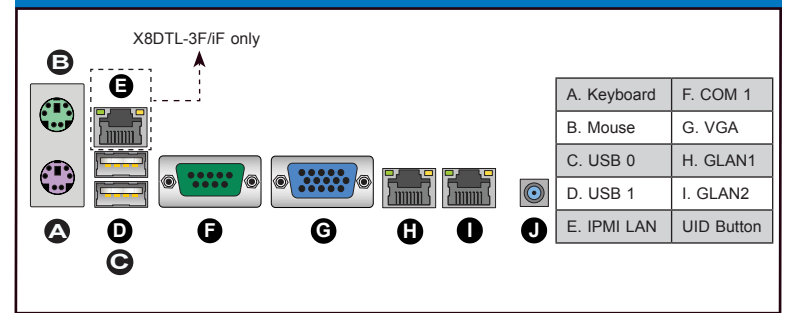
**Heatsink Installation**



**Front Panel Control (JF1)**



**Back Panel IO Connectors**



**Note:** Graphics shown in this quick guide are for illustration only. Your components may or may not look exactly the same as drawings shown in this guide.

**Note:** Refer to Chapter 2 of the User Manual on detailed information on jumpers, connectors, and LED indicators.

**Note:** Refer to Chapter 2 of the User Manual for detailed information on memory support and CPU/motherboard installation instructions.