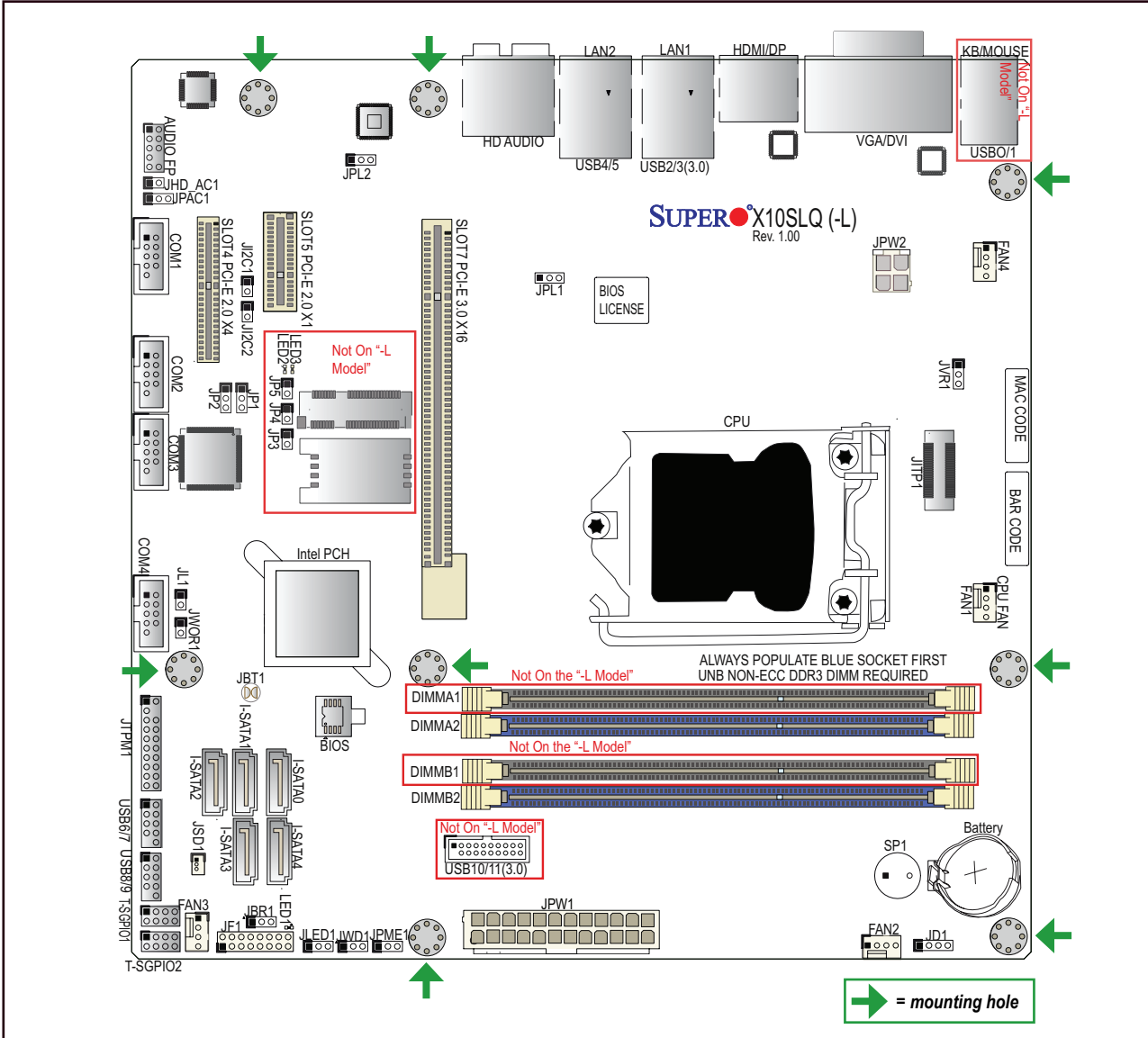


Motherboard Layout and Features



Jumpers and Connectors

Jumpers		
Jumper	Description	Default
JBR1	BIOS Recovery	Pins 1-2 (Normal)
JBT1	CMOS Clear	Short: Clear CMOS Open: Normal Operation (Default)
JiPC1/JiPC2	SMB to PCI Slots	Off (Disabled)
JPAC1	Audio Enable	Pins 1-2 (Enabled)
JPL1/JPL2	LAN1/LAN2 Enable	Pins 1-2 (Enabled)
JPME1	Intel ME Recovery Mode Select	Pins 1-2 (Normal)
JWD1	Watch Dog Enable	Pins 1-2 (Reset)

Connectors	
Connector	Description
Audio FP	Front Panel Audio Header
HD AUDIO	High-Definition Audio Connectors (on the I/O back panel)
Battery	Onboard Battery
COM1-COM4	COM1/COM2/COM3/COM4 Port Headers
FAN1-FAN4	System/CPU Fan Headers (FAN1: CPU Fan)
HDMI/DP	Backpanel HDMI/Display Port
JD1	Speaker/buzzer (Pins 3-4: Buzzer, Pins 1-4: External Speaker)
JF1	Front Panel Control Header
JL1	Chassis Intrusion Header
JLED1	Power LED Indicator Header
JP3	WPAN LED Header (from mini PCI-E card)
JP4	WLAN LED Header (from mini PCI-E card)
JP5	WWAN LED Header (from mini PCI-E card)
JPW1	24-pin ATX Main Power Connector (Required)
JPW2	+12V 4-pin CPU power Connector (Required)
JSD1	SATA DOM (Device_On_Module) Power Connector
JTPM1	Trusted Platform Module/Port 80 Connector
JWOR1	Wake_On-Ring Header
KB/Mouse	Keyboard/Mouse Connectors (Not available on the -L model)
LAN1/LAN2	Gigabit (RJ45) Ports (LAN1/2)
SP1	Internal Speaker/Buzzer
I-SATA0-4	(Intel-)Serial ATA (SATA 3.0) Ports 0-4 (6Gb/sec) from the Q87
3G SIM Card Socket for mini-PCIe WAN card support	Mini-PCIe Slot with mSATA support (Not available on the -L model)
Slot 5	PCI-Express 2.0 x1 Slot
Slot 7	PCI-Express 3.0 x16 Slot
Slot 4	PCI-Express 2.0 x4 Slot
T-SGPIO 1/2	Serial_Link General Purpose I/O Connection Headers 1/2
USB 0/1, 4/5	Backpanel USB 2.0 Ports 0/1, 4/5 (USB 0/1: Not available on the -L model)
USB 2/3, 10/11	Front Panel USB 3.0 Ports 2/3, 10/11 (USB 10/11: Not available on the -L model)
USB 6/7, USB 8/9	Front Panel Accessible USB 2.0 Headers 6/7, 8/9
VGA/DVI-D	Backpanel VGA/DVI-D (Digital Video Interface) Port

LED Indicators

LED Indicators			
LED	Description	Color/State	Status
LED1	Onboard Standby PWR LED	Green: Solid on	Power On
LED2	WLAN_LED		
LED3	Standby Power LED	Green: Solid on	Power On

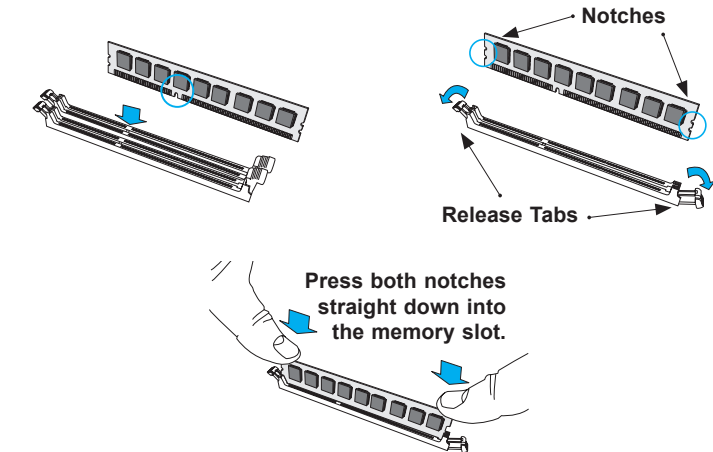
Memory Support

The X10SLQ supports up to 32 GB of Unbuffered (UDIMM) DDR3 Non-ECC 1600/1333 MHz in 4 memory slots. Populating these DIMM slots with a pair of memory modules of the same type and same size will result in interleaved memory, which will improve memory performance.

The X10SLQ-L supports up to 16 GB of Unbuffered (UDIMM) DDR3 Non-ECC 1600/1333 MHz in 2 memory slots. Populating these DIMM slots with a pair of memory modules of the same type and same size will result in interleaved memory, which will improve memory performance.

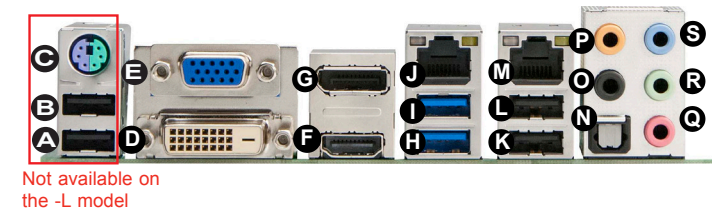
DIMM Memory Installation

Insert the desired number of DIMMs into the memory slots, starting with DIMMA2.

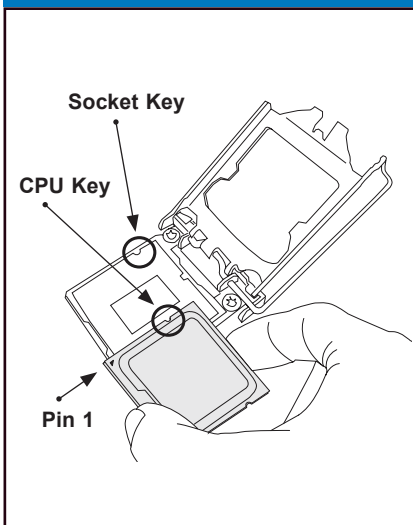


Back Panel I/O Connectors

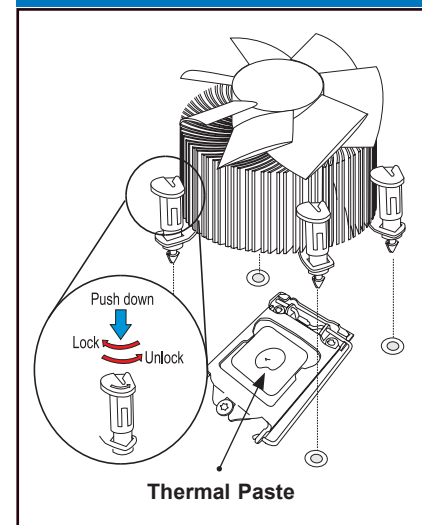
A. USB 2.0 Port 1	G. Display Port	M. Gb LAN Port 1
B. USB 2.0 Port 0	H. USB 3.0 Port 2	7.1 HD Audio + S/PDIF
C. PS2 Keyboard/Mouse	I. USB 3.0 Port 3	N. SPDIF Out
D. DVI-D Port	J. Gb LAN Port 1	O. Surround Out
E. VGA Port	K. USB 2.0 Port 5	P. Center/LFE Out
F. HDMI Port	L. USB 2.0 Port 4	Q. Line_In
		R. Line_Out
		S. Line_In



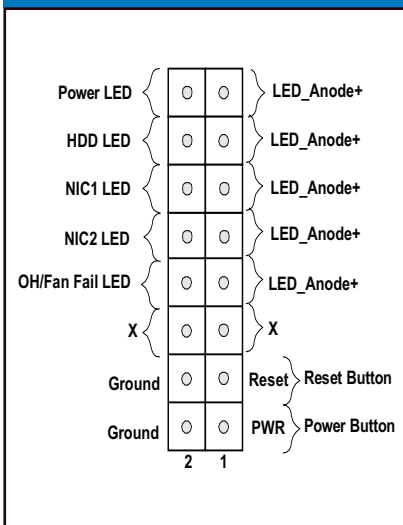
CPU Installation



Heatsink Installation



Front Panel Control (JF1)



Note: Graphics shown in this quick reference guide are for illustration only. Your components may or may not look exactly the same as drawings shown in this guide.

Note: Refer to Chapter 1 of the User Manual for detailed information on jumpers, connectors, and LED indicators.

Note: Refer to Chapter 2 of the User Manual for detailed information on memory support and CPU/motherboard installation instructions.