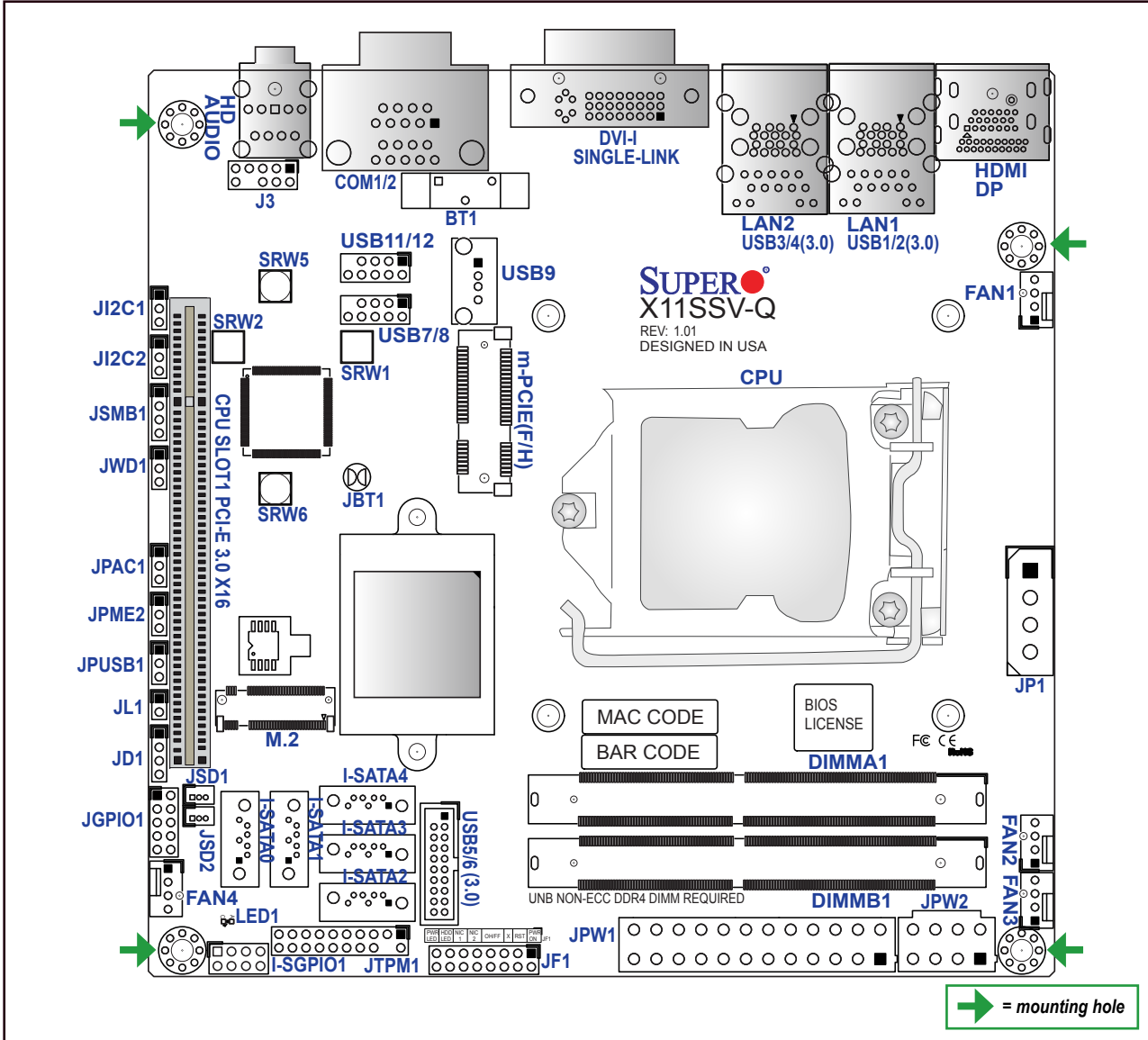




Motherboard Layout and Features



Jumpers, Connectors, and LED Indicators

Jumpers		
Jumper	Description	Default Setting
JBT1	CMOS Clear	Open (Normal)
J12C1/J12C2	SMB to PCI-E Slots Enable/Disable	Pins 2-3 (Disabled)
JPAC1	Audio Enable	Pins 1-2 (Enabled)
JPME2	Manufacturing Mode Select	Pins 1-2 (Normal)
JPUSB1	USB Wake-Up	Pins 2-3 (Disabled)
JWD1	Watch Dog Enable	Pins 1-2 (Reset)

Connectors	
Connector	Description
BT1	Onboard Battery
COM1/COM2	Serial COM Ports
DVI-I	Digital Video Interface (Analog and Digital)
FAN1 ~ FAN4	System/CPU Fan Headers (FAN1: CPU Fan)
HD Audio	Mic In and Line Out Ports
HDMI/DP	High Definition Multimedia Interface/DisplayPort
J3	Audio Front Panel Header
JD1	External Speaker Header (Pins 1-4: Speaker)
JF1	Front Control Panel Connector
JGPIO1	General Purpose I/O Header
JL1	Chassis Intrusion Header
JP1	4-pin Power Connector for HDD
JPW1	24-pin ATX Power Connector
JPW2	8-pin 12V CPU Power Connector for CPU (Required) or alternative single power for special enclosure when the 24-pin ATX power is not in use
JSD1/JSD2	SATA DOM Power Connectors
JSMB1	System Management Bus Header
JTPM1	Trusted Platform Module/Port 80 Connector
LAN1/LAN2	Gigabit LAN (RJ45) Ports
I-SATA0 ~ I-SATA4	SATA 3.0 Ports via Intel PCH Q170
I-SGPIO1	Serial General Purpose I/O Header
M.2	M.2 Slot 2280/2242 M Key
m-PCIE (F/H)	Mini-PCIe Full/Half Slot
SLOT1	CPU PCI-E 3.0 x16 Slot
USB1/2, USB3/4	Back Panel Universal Serial Bus (USB) 3.0 Ports
USB5/6	Front Access USB 3.0 Headers
USB7/8	Front Access USB 2.0 Headers
USB9	USB Type A Header
USB11/12	Front Access USB 2.0 Headers

LED Indicators		
LED	Description	Status
LED1	Power LED	Green On: Power On

CPU Support

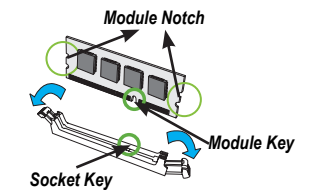
The X11SSV-Q motherboard supports the Intel® 7th/6th Generation Core™ i7/i5/i3 series, Intel Celeron®, and Intel Pentium® processors in an LGA1151 socket type.

Memory Support

The X11SSV-Q motherboard supports up to 32 GB of DDR4 Non-ECC SO-DIMM.

SO-DIMM Memory Installation

- Align the key on the bottom of the SO-DIMM module against the receptive point on the memory socket. Take note of the notches on the side of the SO-DIMM module, and of the locking clips on the socket to avoid causing damage.

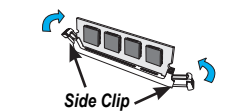


- Install the SO-DIMM module straight down into the socket until it is securely seated in the socket. The side clips will automatically lock the module into place.

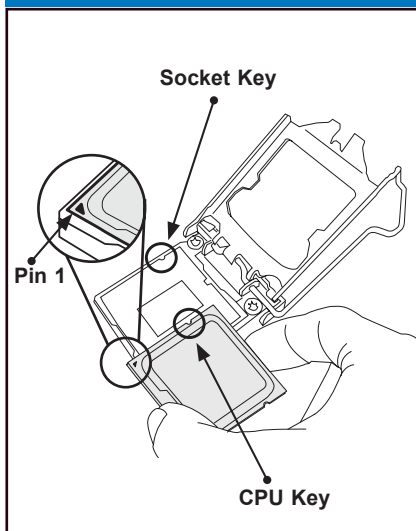


Removing the SO-DIMM Memory Module

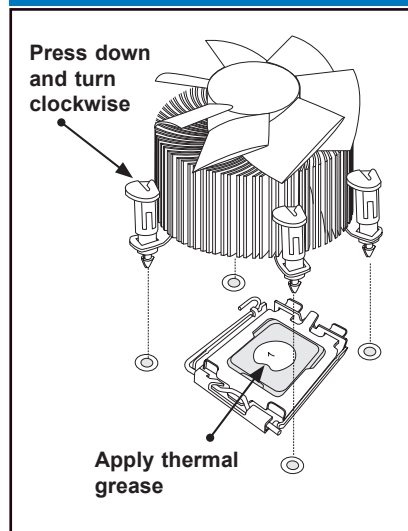
Use your thumbs to gently push the side clips near both ends away from the module to release it from the socket. Once the module is loosened from the socket, pull the SO-DIMM module upwards.



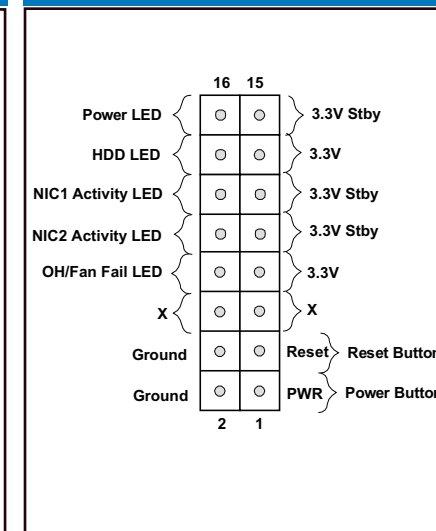
CPU Installation



Heatsink Installation



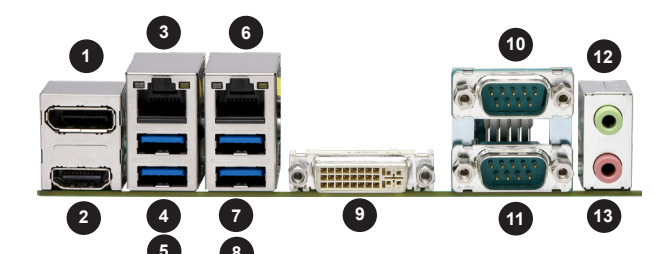
Front Control Panel (JF1)



Note: Graphics shown in this quick reference guide are for illustration only. Your components may or may not look exactly the same as drawings shown in this guide.

Note: Refer to Chapter 1 of the User Manual for detailed information on jumpers, connectors, and LED indicators.

Back Panel I/O Connectors



#	Description	#	Description	#	Description
1	DisplayPort	6	LAN2	11	COM1
2	HDMI	7	USB4 (3.0)	12	Audio Line Out
3	LAN1	8	USB3 (3.0)	13	Audio Mic In
4	USB2 (3.0)	9	DVI-I		
5	USB1 (3.0)	10	COM2		

Note: Refer to Chapter 2 of the User Manual for detailed information on memory support and CPU/motherboard installation instructions.