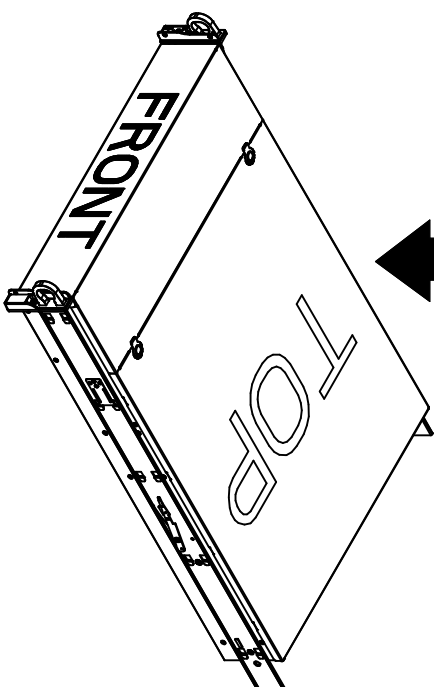
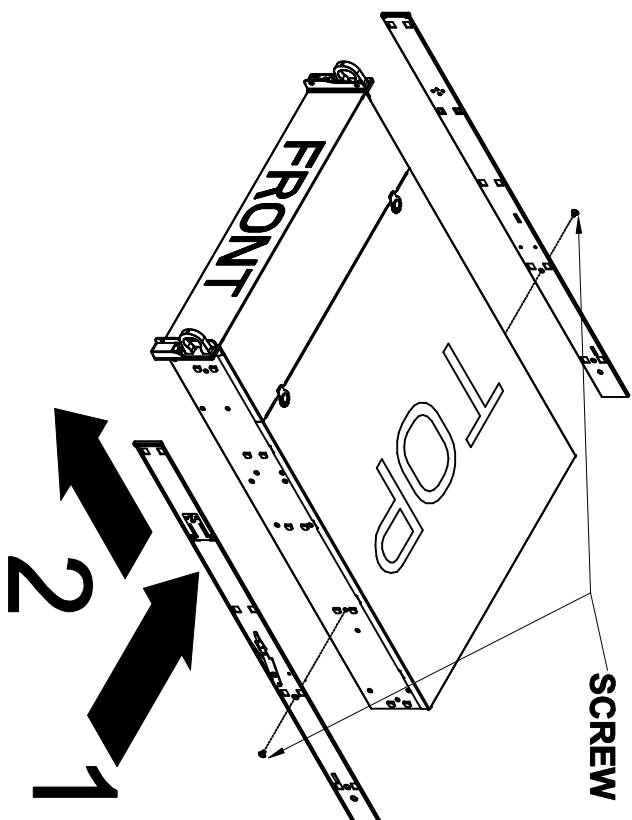


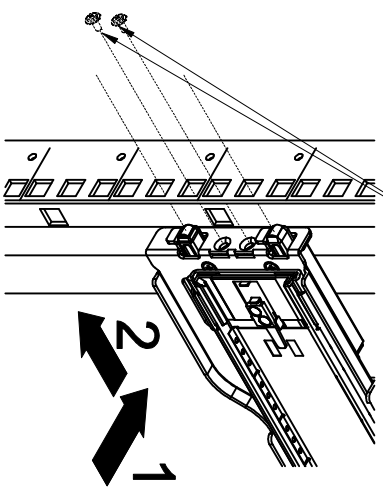
A.

SCREW



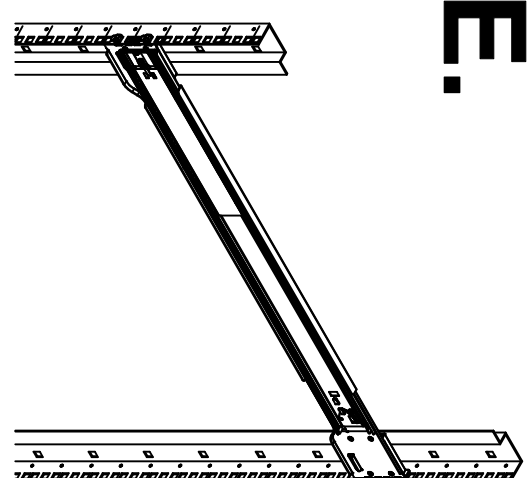
B.

SCREW
(Optional)



D.

hang the hooks of rails into rack holes screw the rails if necessary

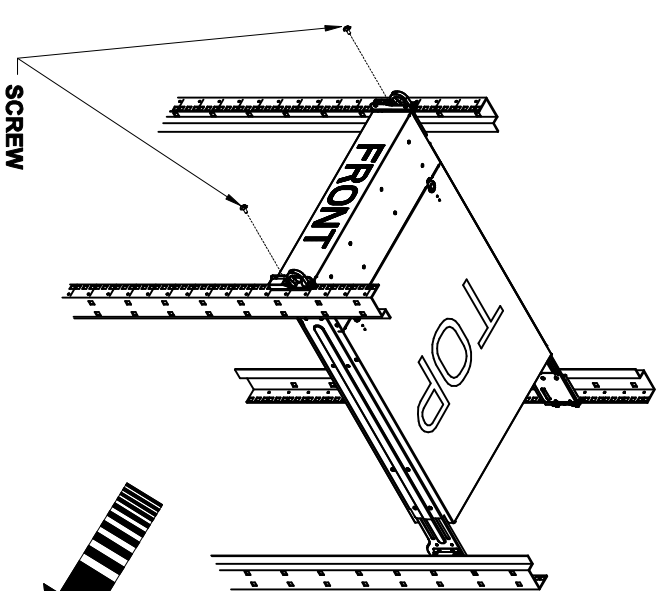
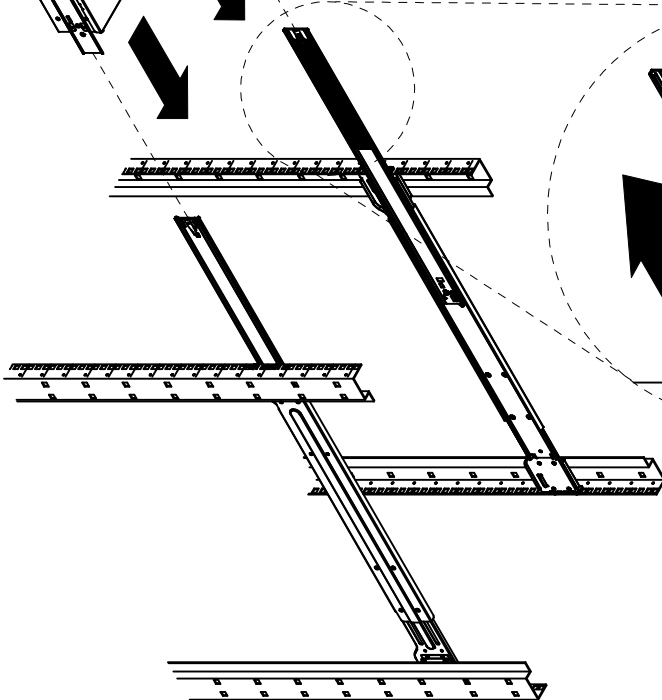
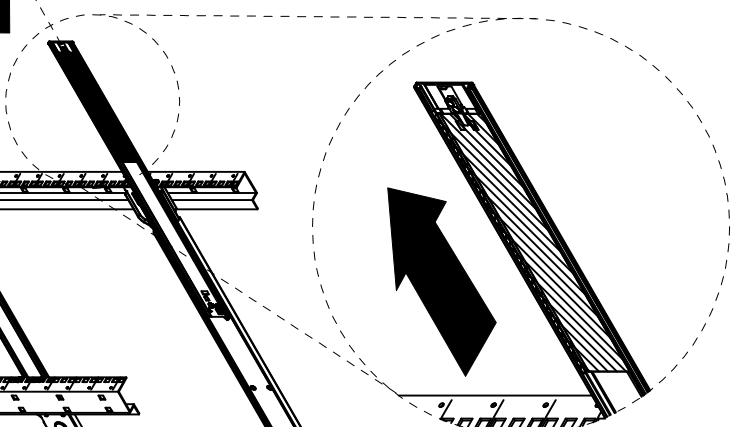
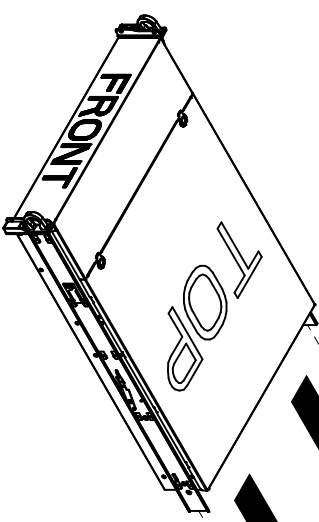


E.

repeat step D to mount four corners (extended if necessary)

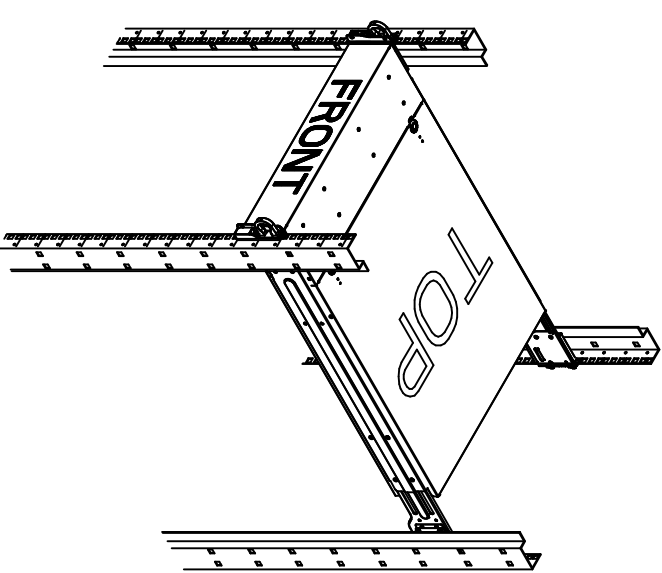
make sure the ball shuttle at the very front

align inner rails on the extended outer rails and push the chassis till the end



SCREW

screw the handles the outer rails for secure purpose if necessary



COMPLETE