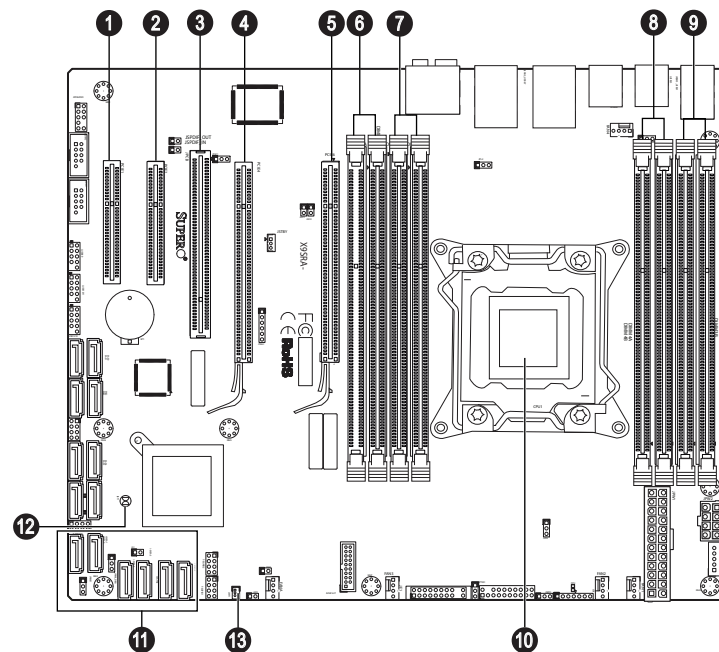
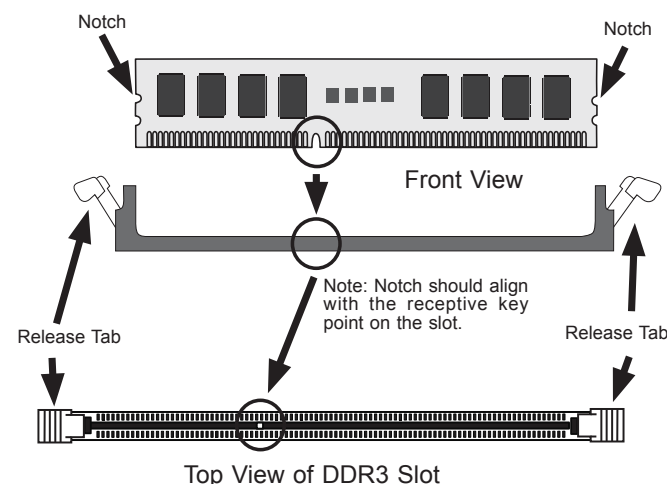


Board Layout



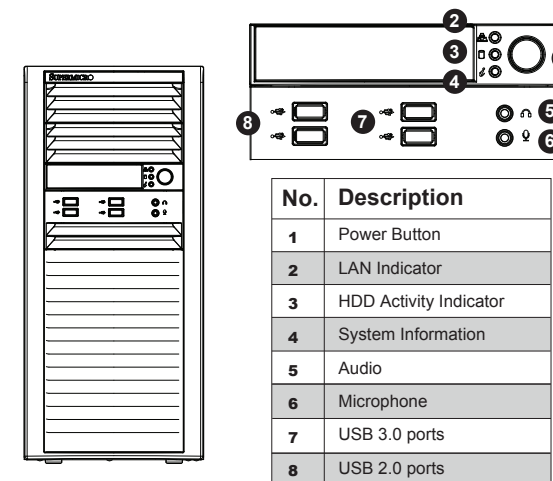
No.	Description
1	CPU1 Slot1 PCI-E 2.0 x4 (in x8 slot)
2	CPU1 Slot2 PCI-E 3.0 x4 (in x8 slot)
3	CPU1 Slot3 PCI 33MHz
4	CPU1 Slot4 PCI-E 3.0 x16
5	CPU2 Slot6 PCI-E 3.0 x16
6	DIMM1A (Blue slot)/DIMM1B
7	DIMM2A (Blue slot)/DIMM2B
8	DIMM3A (Blue slot)/DIMM3B
9	DIMM4A (Blue slot)/DIMM4B
10	CPU1
11	SATA (I-SATA0 ~ I-SATA5)
12	JBT1 = CMOS Reset
13	JDS1 = SATA DOM Power

MEMORY

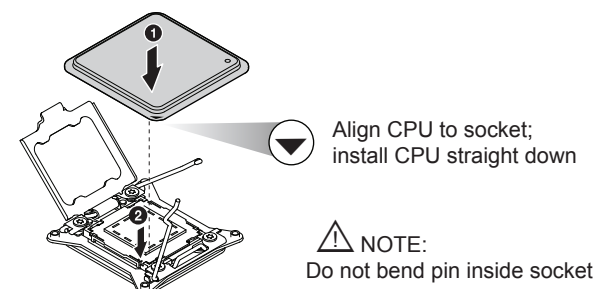


Recommended Population (Balanced)								Total System Memory
DIMM1A	DIMM2A	DIMM3A	DIMM4A	DIMM1B	DIMM2B	DIMM3B	DIMM4B	
2GB	2GB							4GB
2GB	2GB	2GB	2GB					8GB
2GB	2GB	2GB	2GB	2GB	2GB			12GB
2GB	2GB	2GB	2GB	2GB	2GB	2GB	2GB	16GB
4GB	4GB							8GB
4GB	4GB	4GB	4GB					16GB
4GB	4GB	4GB	4GB	4GB	4GB			24GB
4GB	4GB	4GB	4GB	4GB	4GB	4GB	4GB	32GB
8GB	8GB							16GB
8GB	8GB	8GB	8GB					32GB
8GB	8GB	8GB	8GB	8GB	8GB			64GB
8GB	8GB	8GB	8GB	8GB	8GB	8GB	8GB	128GB
16GB	16GB							32GB
16GB	16GB	16GB	16GB					64GB
16GB	16GB	16GB	16GB	16GB	16GB			96GB
16GB	16GB	16GB	16GB	16GB	16GB	16GB	16GB	128GB
32GB	32GB							64GB
32GB	32GB	32GB	32GB					128GB
32GB	32GB	32GB	32GB	32GB	32GB			192GB
32GB	32GB	32GB	32GB	32GB	32GB	32GB	32GB	256GB

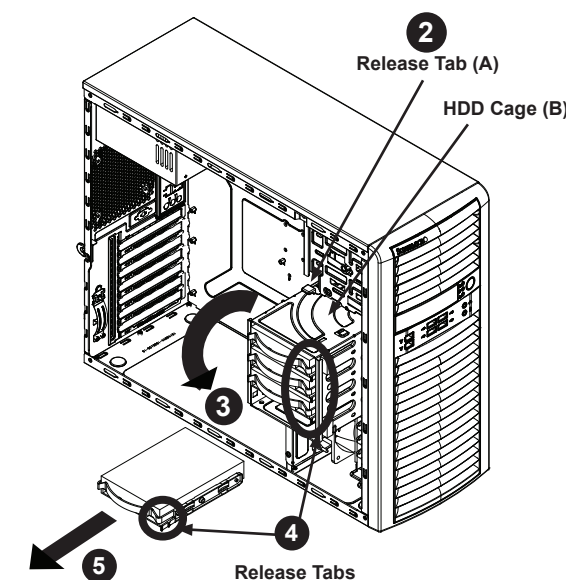
Front view & Interface



CPU Installation



Hard Drives Installation



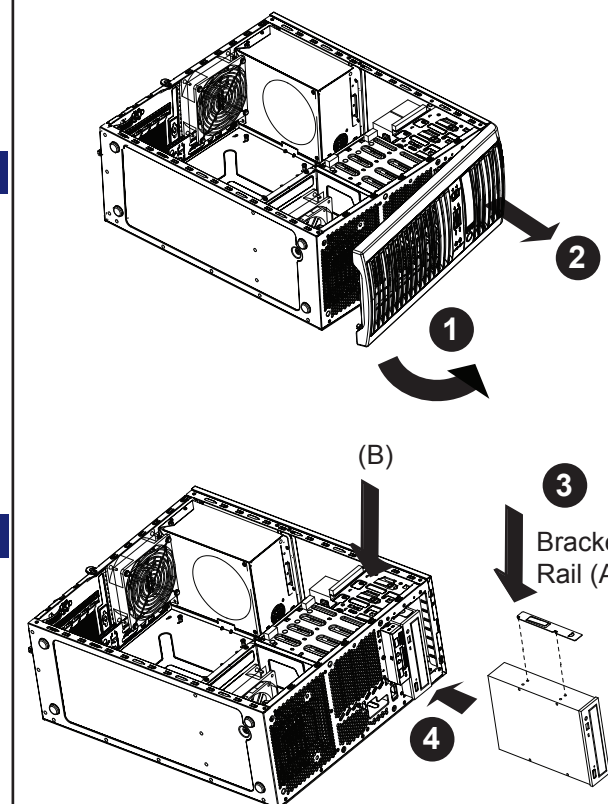
Removing and Installing 3.5" Hard Drives

1. Disconnect the chassis from any power source.
2. Rotate the hard drive cage outward 90 degrees.
3. Disconnect all of the cables from the hard drive.
4. Press the release tab on the side of the hard drive carrier that is to be removed from the hard drive cage.
5. Gently slide the hard drive carrier out of the hard drive cage.

Installing an Optical Device

Installing an Optical Device

1. Remove the front bezel from the chassis by lifting it upwards from the bottom, and pulling off the front of the chassis.
2. Remove the cover plate from the optical device slot on the front of the chassis.
3. Install the bracket rail (A) onto one side of the optical device, by inserting the pins of the bracket into the mounting holes on the sides of the optical device.
4. Slide the optical device into the chassis.
5. If desired, screws may be used where indicated below (B) to secure the optical device into chassis.



Caution

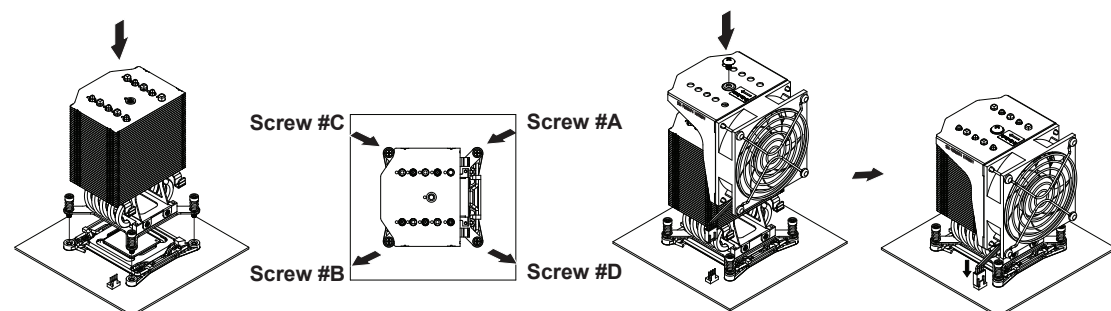
SAFETY INFORMATION
IMPORTANT: See installation instructions and safety warning before connecting system to power supply.
http://www.supermicro.com/about/policies/safety_information.cfm

WARNING:
To reduce risk of electric shock/damage to equipment, disconnect power from server by disconnecting all power cords from electrical outlets.
If any CPU socket empty, install protective plastic CPU cap

CAUTION:
Always be sure all power supplies for this system have the same power output. If mixed power supplies are installed, the system will not operate.

For more information go to <http://www.supermicro.com/support>

Heatsink Installation



1. Place heatsink on top of installed CPU
2. Line up the four screws to socket
3. Push down heatsink and screw down as shown (cross pattern, in order: A, C, B, D)
4. NOTE: Only use 6-8 lb/f of torque; otherwise, hand-tighten each screw, to avoid damaging the system

