

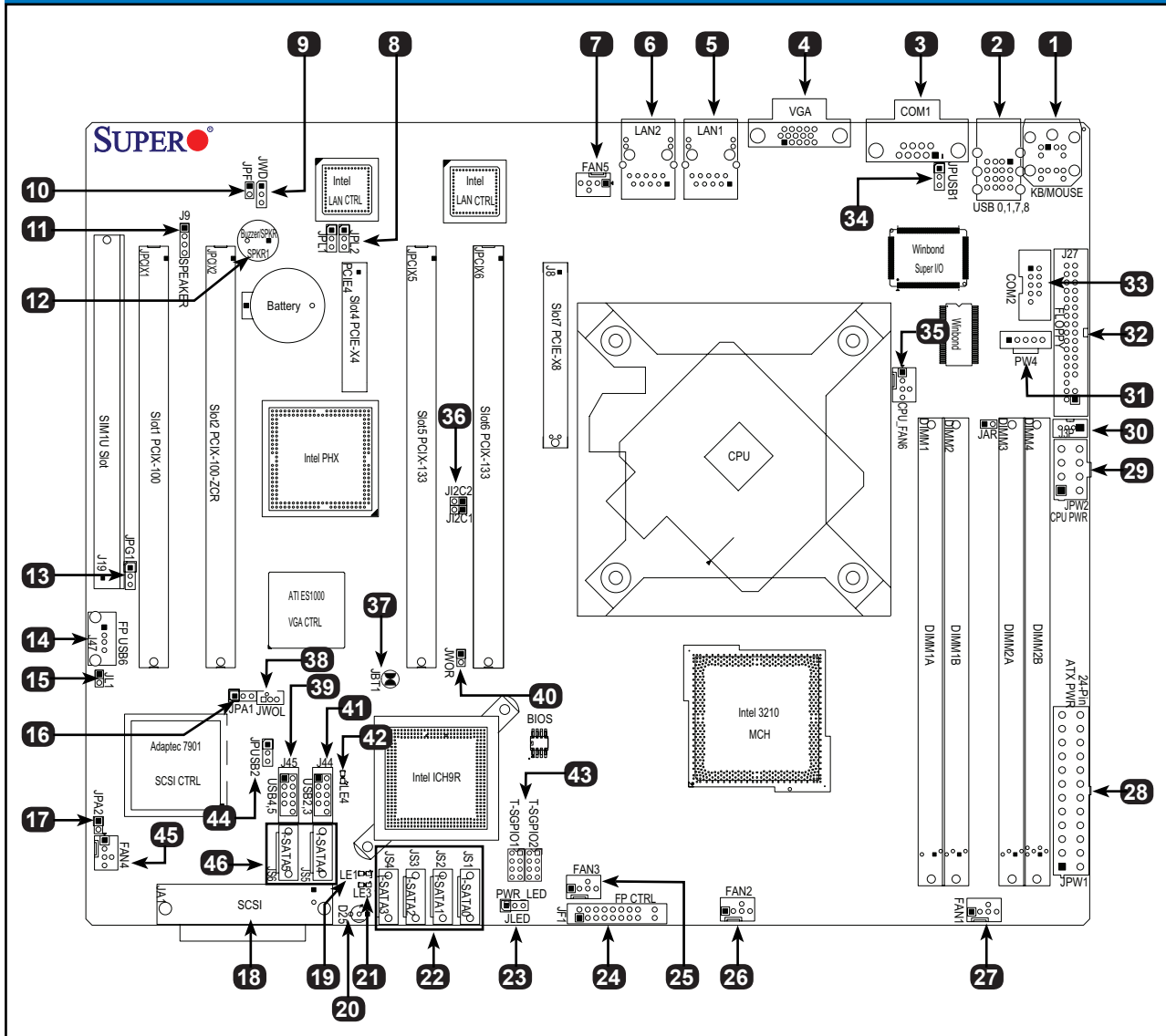
CONTACT INFORMATION

- www.supermicro.com (Email: support@supermicro.com)
- Manuals: http://www.supermicro.com/support/manuals
- Drivers & Utilities: ftp://ftp.supermicro.com
- Safety: http://www.supermicro.com/about/policies/safety_information.cfm

PACKAGE CONTENTS (Applies to individual-pack only)

- One (1) Supermicro Motherboard
- Six (6) SATA Cables (X7SBE only)
- Four (4) SATA Cables (X7SB4 only)
- One (1) Floppy Drive Ribbon Cable
- One (1) SCSI Cable (X7SB4 only)
- One (1) I/O Shield
- One (1) Quick Reference Guide

Motherboard Layout and Features



Jumpers, Connectors and LED Indicators

Jumpers			
Item #	Jumper	Description	Default
8	JPL1, JPL2	Giga-bit LAN 1/2 Enable	Pins 1-2 (Enabled)
9	JWD	Watch Dog Enable	Pins 1-2 (Reset)
10	JPF	Power Force-On	Open (Disabled)
13	JPG1	VGA Enable	Pins 1-2 (Enabled)
16	JPA1 (X7SB4 only)	SCSI Channel Enable	Pins 1-2 (Enabled)
17	JPA2 (X7SB4 only)	SCSI Channel Termin. Enable	Open (Enabled)
34	JUSB1	Back Panel USB Wake-Up	Pins 1-2 (Enabled)
36	Ji°C1, Ji°C2	SMB to PCI Slots	Open/Open (Disabled)
37	JBT1	CMOS Clear	See Chpt. 2 in User Manual
44	JUSB2	Front Panel USB Wake-Up	Pins 2-3 (Disabled)

Connectors		
Item #	Connector	Description
1	KB/Mous (J28)	Keyboard and PS/2 Mouse Connector
2	USB 0, 1, 7, 8 (J15)	Back Panel Universal Serial Bus Ports (USB 7/8 OEM only)
3, 33	COM1, COM2 (J31, J13)	COM Port 1 and COM 2 Header
4	VGA	VGA Connector
5, 6	LAN1, LAN2	Ethernet RJ45 (Gigabit LAN) Port 1 & Port 2 Connectors
7, 45, 35	Fan5, Fan4, Fan6	Chassis/System Fan Headers: Fans 4 & 5; CPU: Fan 6
11	Speaker (J9)	Speaker Header
12	SPKR1	Internal Speaker/Buzzer
14	USB 6 (J47)	Front Panel USB Port 6
15	JL1	Chassis Intrusion Header
18	SCSI (JA1)	SCSI Channel Connector (X7SB4 only)
22	I-SATA0~I-SATA3	4 SATA Ports (X7SB4 only)
22, 46	I-SATA0~I-SATA5	6 SATA Ports (X7SBE only)
23	PWR LED (JLED)	Power LED Indicator Header
24	FP CTRL (JF1)	Front Panel Control Header
25, 26, 27	Fan3, Fan2, Fan1	Chassis/System Fan Headers
28	24-Pin ATX PWR (JPW1)	ATX 24-Pin Power Connector
29	CPU PWR (JPW2)	12V 8-pin Power Connector (required)
30	J3P	Power Fault Header (See Chapter 2 in User Manual)
31	PW4	Power SMBus Header (i°C)
32	Floppy (J27)	Floppy Disk Connector
38	JWOL	Wake On LAN Header
40	JWOR	Wake on Ring Header
41, 39	USB 2/3, 4/5 (J44, J45)	Front Panel Accessible USB Headers
43	T-SGPI01, TSGPI02	Serial Link General Purpose I/O Headers

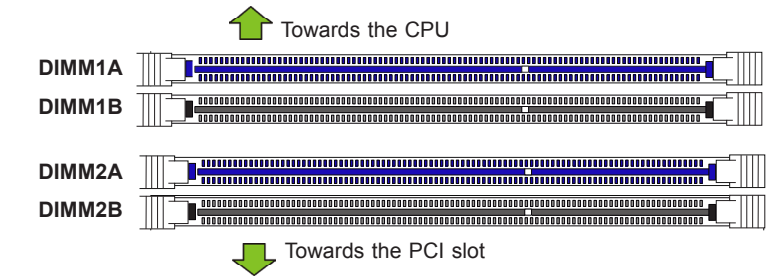
LED Indicators				
Item #	LED	Description	Color/State	Status
19	LE1	Onboard Power LED	Green: Solid on	System On
20	D25	System Status LED	Green: Solid on	System Normal
21, 42	LE3, LE4	BIOS POST Code LEDs	See Chapter 2 in User Manual	

Memory Support

This motherboard supports up to 8 GB dual or single channel Unbuffered (UDIMM) DDR2 ECC/Non-ECC 800/677 MHz SDRAM in 4 memory slots. Both interleaved and non-interleaved memory are supported, so any number of DIMM slots may be populated.

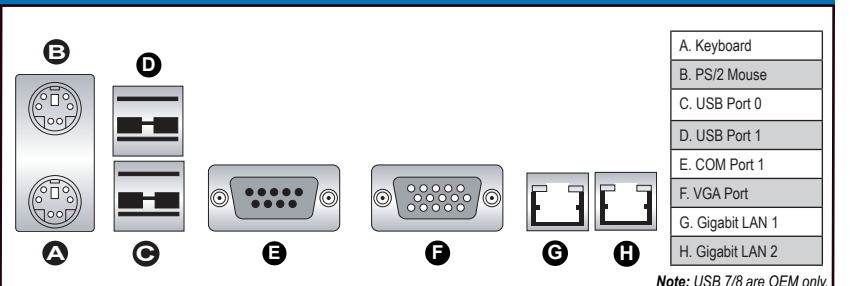
Note: For memory optimization, use only DIMM modules that have been validated by Supermicro. For the latest memory updates, please refer to our website at <http://www.supermicro.com/products/motherboard>.

DIMM Installation

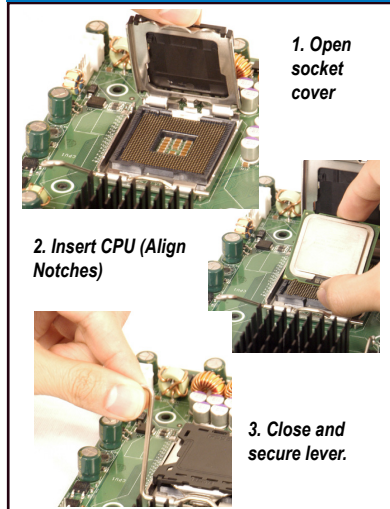


Possible System Memory Allocation & Availability		
System Device	Size	Physical Memory Remaining (-Available) (4 GB Total System Memory)
Firmware Hub flash memory (System BIOS)	1 MB	3.99 GB
Local APIC	4 KB	3.99 GB
Area Reserved for the chipset	2 MB	3.99 GB
I/O APIC (4 Kbytes)	4 KB	3.99 GB
PCI Enumeration Area 1	256 MB	3.76 GB
PCI Express (256 MB)	256 MB	3.51 GB
PCI Enumeration Area 2 (if needed) -Aligned on 256-MB boundary-	512 MB	3.01 GB
VGA Memory	16 MB	2.85 GB
TSEG	1 MB	2.84 GB
Memory available for the OS & other applications		2.84 GB

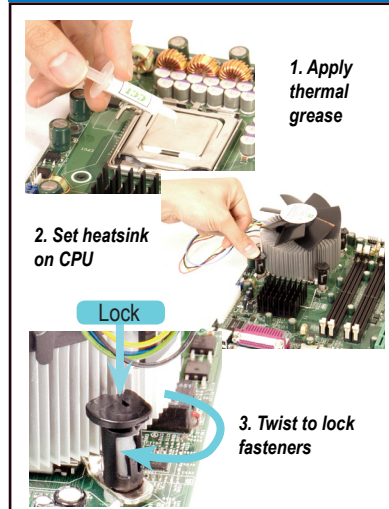
Back Panel IO Connectors



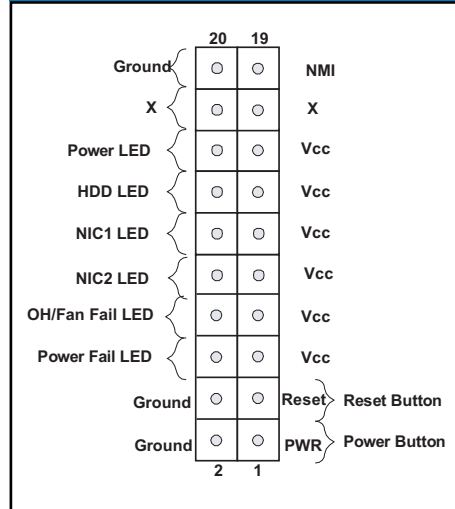
CPU Installation



Heatsink Installation



Front Panel Control (JF1)



Note: Graphics shown in this quick reference guide are for illustration only. Your components may or may not look exactly the same as drawings shown in this guide.

Note: Refer to Chapter 1 of the User Manual for detailed information on jumpers, connectors, and LED indicators.

Note: Refer to Chapter 2 of the User Manual for detailed information on memory support and CPU/motherboard installation instructions.