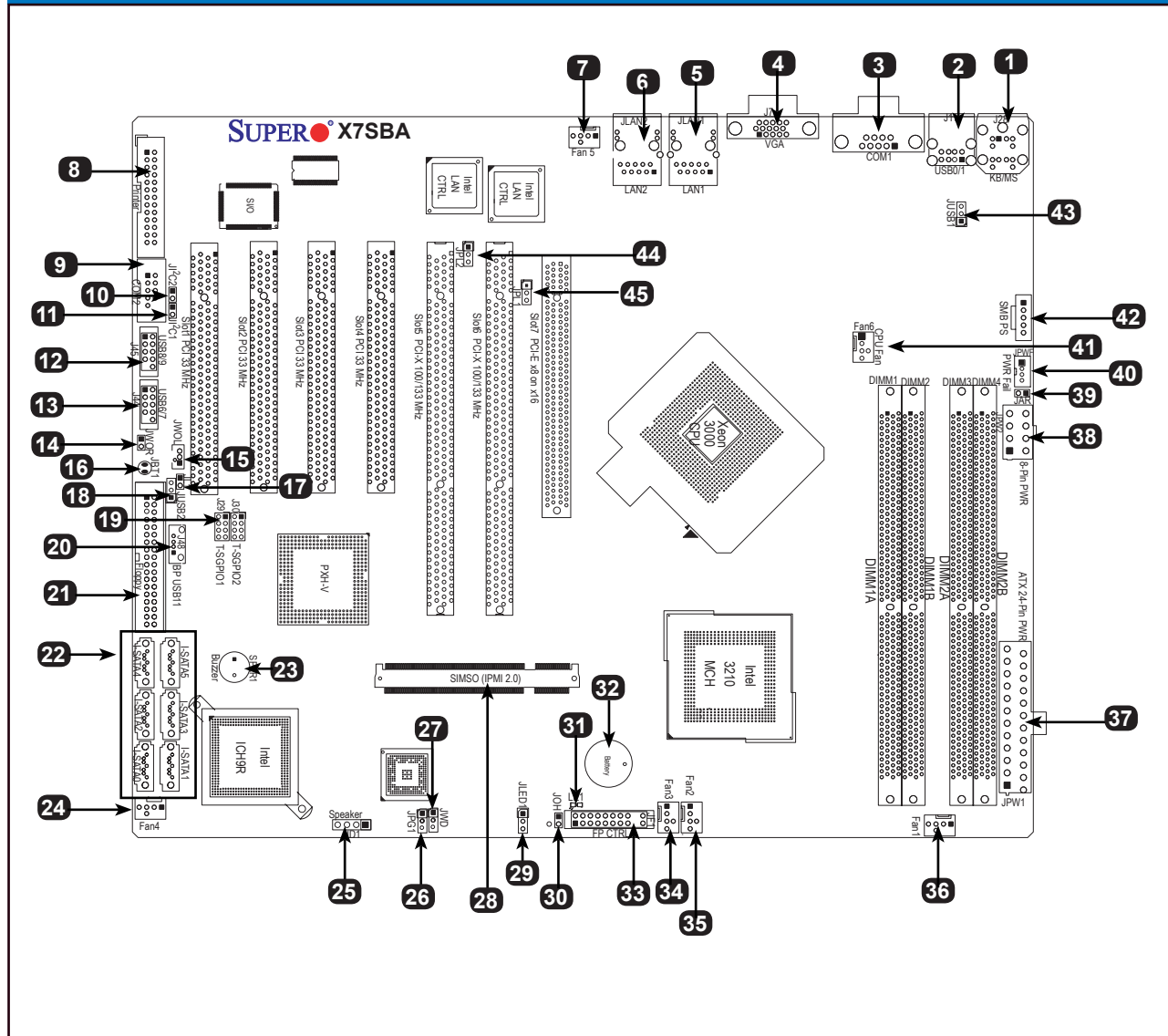


- One (1) Supermicro Motherboard
- Six (6) SATA Cables
- One (1) Floppy Drive Ribbon Cable
- One (1) Quick Reference Guide

**Motherboard Layout and Features**



**Jumpers, Connectors and LED Indicators**

**Jumpers**

Item #	Jumper	Description	Default
10,11	J12C2,J12C1	I2C (SMB) Bus to PCI slots	(Open/Open: Disabled)
16	JBT1	CMOS Reset	Open (short pads to reset)
18,43	JUSB2,JUSB1	Front Panel USB Wake Up	Pins 2-3 (Disabled)
26	JPG1	Enable/Disable On Board VGA	Pins 1-2 (Enabled)
27	JWD	Watch Dog Timer Reset	Pins 1-2 (Reset)
44,45	JPL2,JPL1	LAN2,LAN1 Enable/Disable	Pins 1-2 (Enabled)

**Connectors**

Item #	Connector	Description
1-6	I/O Back Panel	Please see "Back Panel IO Connectors" section below, right.
7,24,34,35,36,41	Fan 5,4,3,2,1,6	System Fan Headers
8	Printer	Parallel Printer Port for LPT1
9	COM2	COM2 Header
12,13	USB 8/9,6/7	Internal USB Headers
14	JWOR	Wake On Ring Header
15	JWOL	Wake On LAN Header
17	JL1	Chassis Intrusion Header
19	T-SGPIO1/T-SGPIO2	Serial General Purpose I/O Headers 1/2
20	USB 11	Internal USB Port, Type A
21	Floppy	Floppy Drive Port
22	I-SATA 0~5	SATA Ports 0~5
23	SPKR1	Internal Speaker/Buzzer
25	JD1	Speaker Header (Pins 3-4: Internal Buzzer Enable, Pins 1-4: External Speaker Cable)
28	SIMSO IPMI	SIMSO IPMI 2.0 Socket
29	JLED 1	Power LED Header
30	JOH	System Overheat LED Header
32	Battery	System Backup Battery
33	JF1	Front Panel Control Header
37	JPW1	24-pin ATX Power Header
38	JPW2	8-pin ATX Auxilliary Power Header
39	JAR	Alarm Reset Header
40	JPWF	Power Failure Header
42	SMB PS	Power Supply SMBus (I2C)

**LED Indicators**

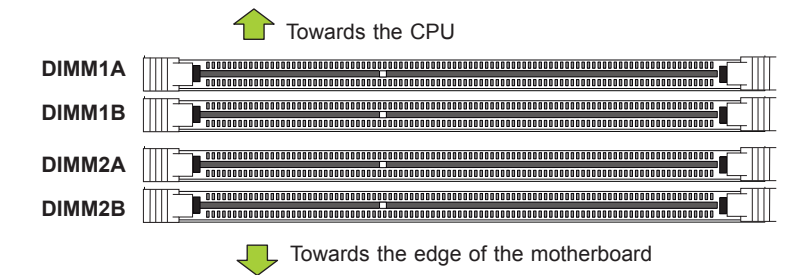
Item #	LED	Description	Color/State	Status
31	LE1	Power Standby LED	Green/Solid	System is Plugged In/Ready

**Memory Support**

This motherboard supports up to 8GB of Dual channel, unbuffered ECC DDR2 800/667 SDRAM in 4 DIMM slots.

**Note:** For memory optimization, use only DIMM modules that have been validated by Supermicro. For the latest memory updates, please refer to our website at <http://www.supermicro.com/products/motherboard>.

**DIMM Installation**

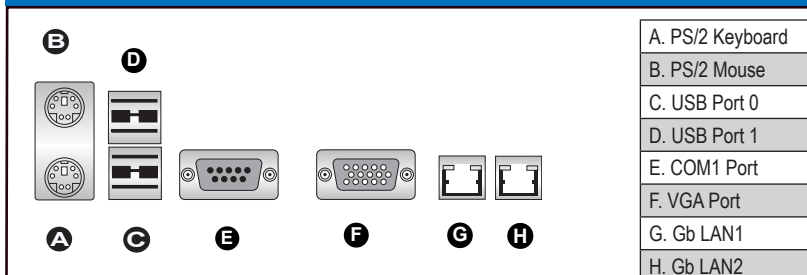


**Note:** Please populate the memory slots in the following order for optimal results: DIMM1A, DIMM2A, DIMM1B, DIMM2B.

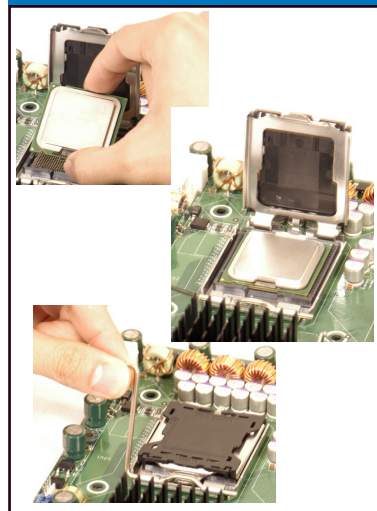
**Possible System Memory Allocation & Availability**

System Device	Size	Physical Memory Remaining (-Available) (4 GB Total System Memory)
Firmware Hub flash memory (System BIOS)	1 MB	3.99
Local APIC	4 KB	3.99
Area Reserved for the chipset	2 MB	3.99
I/O APIC (4 Kbytes)	4 KB	3.99
PCI Enumeration Area 1	256 MB	3.76
PCI Express (256 MB)	256 MB	3.51
PCI Enumeration Area 2 (if needed) -Aligned on 256-MB boundary-	512 MB	3.01
VGA Memory	16 MB	2.85
TSEG	1 MB	2.84
Memory available to OS and other applications		2.84

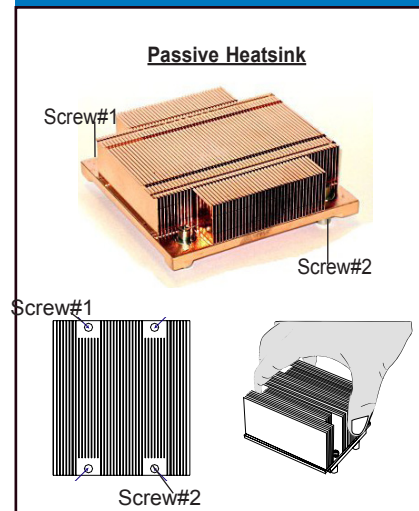
**Back Panel IO Connectors**



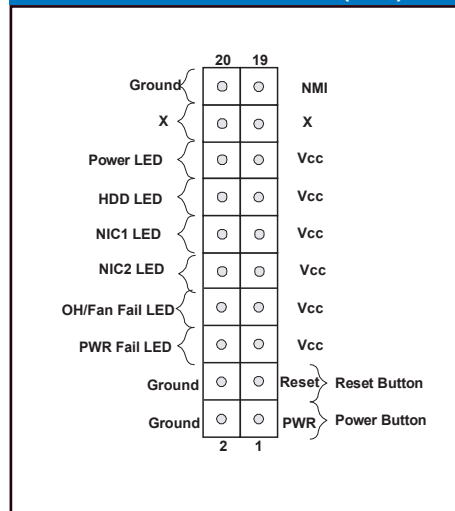
**CPU Installation**



**Heatsink Installation**



**Front Panel Control (JF1)**



**Note:** Graphics shown in this quick reference guide are for illustration only. Your components may or may not look exactly the same as drawings shown in this guide.

**Note:** Refer to Chapter 2 of the User Manual for detailed information on jumpers, connectors, and LED indicators.

**Note:** Refer to Chapter 2 of the User Manual for detailed information on memory support and CPU/motherboard installation instructions.