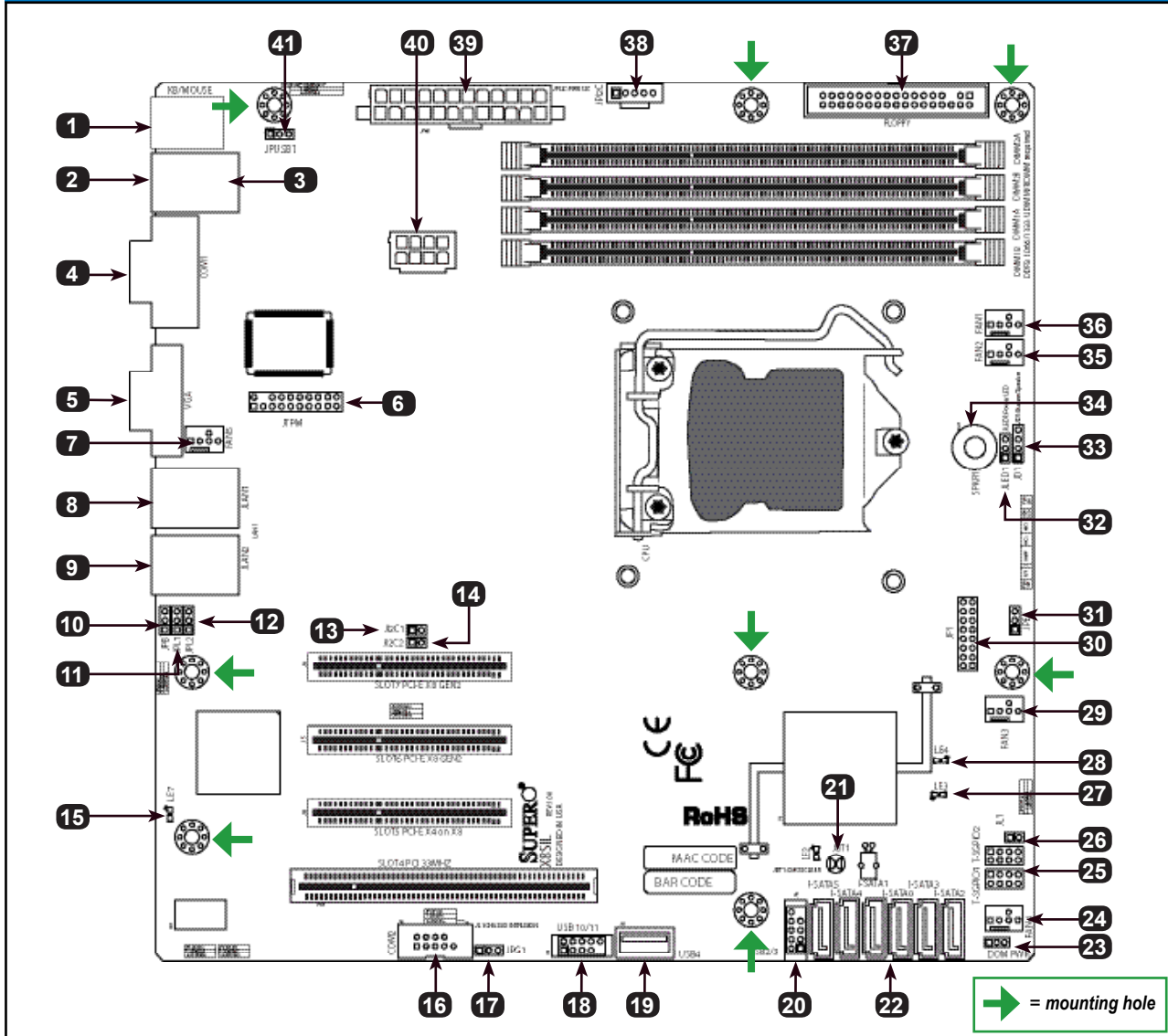


Motherboard Layout and Features



Jumpers, Connectors and LED Indicators

Jumpers

Item #	Jumper	Description	Default
10	JPB	BMC Enable	Pins 1-2 (Enabled)
11, 12	JPL1, JPL2	LAN1/LAN2 Enable	Pins 1-2 (Enabled)
13, 14	J1C1, J1C2	SMB to PCI Slots	(See Chpt. 2 in User Manual)
17	JPG1	Onboard VGA Enable	Pins 1-2 (Enabled)
21	JBT1	CMOS Clear	(See Chpt. 2 in User Manual)
31	JPES	Energy Saving Feature	Pins 2-3 (Disabled)
41	JPUSB1	BP USB0/1 Wake-up	Pins 1-2 (Enabled)

Connectors

Item #	Connector	Description
1	KB/Mouse	Keyboard/mouse connectors
2	IPMI LAN	IPMI LAN Port (X8SIL-F Only)
3, 20	USB0/1, USB 2/3	Back Panel USB 0/1, Front panel accessible USB 2/3
4, 16	COM1, COM2	COM1/2 Serial connection headers
5	VGA	Onboard Video Port
6	JTPM	Trusted Platform Module (TPM) Header
36, 35, 29, 24, 7	Fans 1~5	System/CPU fan headers
8, 9	LAN1, LAN2	Gigabit Ethernet (RJ45) ports (LAN1/LAN2)
18	USB 10/11	Front Panel USB header (X8SIL-F/X8SIL-V Only)
19	USB 4	Type A USB Connector
22	I-SATA 0~5	Serial ATA ports (X8SIL has 4 Serial ATA Ports)
23	DOM PWR	Disk-On-Module (DOM) Power Connector
25	T-SGPIO1, T-SGPIO2	Serial General Purpose IO headers (for SATA)
26	JL1	Chassis Intrusion header
30	JF1	Front Panel Control header
32	JLED	Power LED Indicator header
33	JD1	Speaker header (Pins 3/4: Internal, 1~4:External)
34	SPKR1	Internal speaker/buzzer
37	Floppy	Floppy Disk Drive connector
38	JPI2C	PWR supply (I ² C) System Management Bus
39	JPW1	24-pin ATX main power connector (required)
40	JPW2	+12V 8-pin CPU power connector (required)

LED Indicators

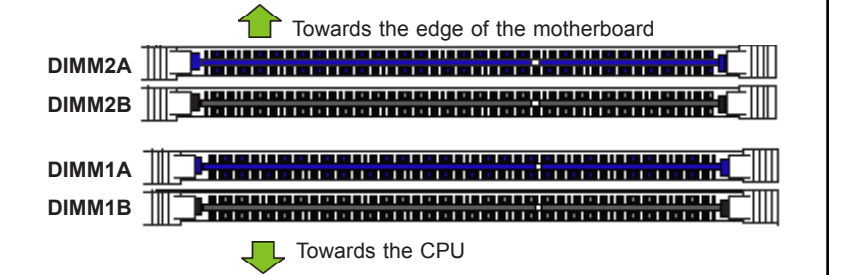
Item #	LED	Description	Color/State	Status
15	LE7	IPMI Heartbeat LED (X8SIL-F Only)	Green: Blinking	IPMI: Normal
27	LE3	Unsupported Memory Installed Indicator	Yellow: Blinking	Unsupported Memory Installed
28	LE4	Onboard Standby PWR LED	Green: Solid on	PWR On

Memory Support

This motherboard supports up to 16GB of Unbuffered (UDIMM) or up to 32GB of Registered (RDIMM) DDR3 ECC 800/1066/1333 MHz memory in 4 memory slots.

Note: For memory optimization, use only DIMM modules that have been validated by Supermicro. For the latest memory updates, please refer to our website at <http://www.supermicro.com/products/motherboard>.

DIMM Installation



Memory Population Guidelines
 Please follow the tables below when populating the X8SIL/X8SIL-F/X8SIL-V.

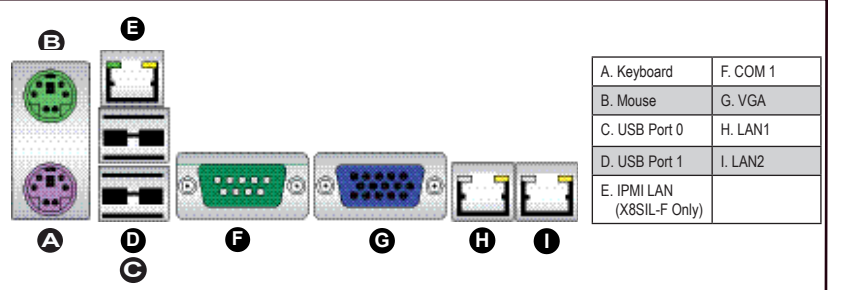
DDR3 ECC UDIMM Memory

DIMM Slots per Channel	DIMMs Populated per Channel	DIMM Type	POR Speeds	Ranks per DIMM (any combination)
2	1	Unbuffered DDR3 ECC	1066, 1333	Single Rank, Dual Rank
2	2	Unbuffered DDR3 ECC	1066, 1333	Single Rank, Dual Rank

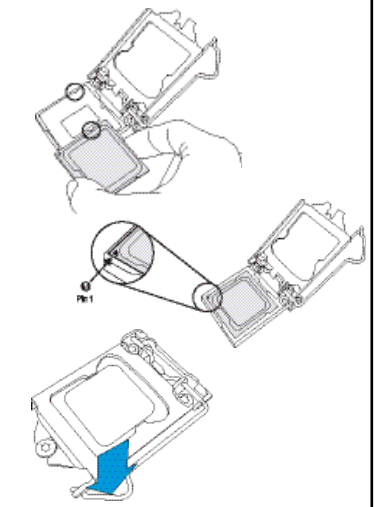
DDR3 ECC RDIMM Memory

DIMM Slots per Channel	DIMMs Populated per Channel	DIMM Type	POR Speeds	Ranks per DIMM (any combination)
2	1	Registered DDR3 ECC	1066, 1333	Single Rank, Dual Rank
2	1	Registered DDR3 ECC	1066	Quad Rank
2	2	Registered DDR3 ECC	1066, 1333	Single Rank, Dual Rank
2	2	Registered DDR3 ECC	800*	Quad Rank

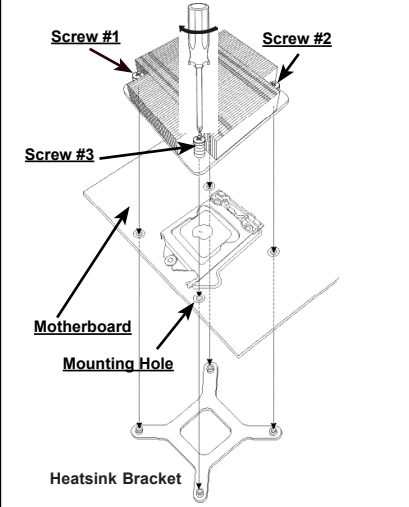
Back Panel IO Connectors



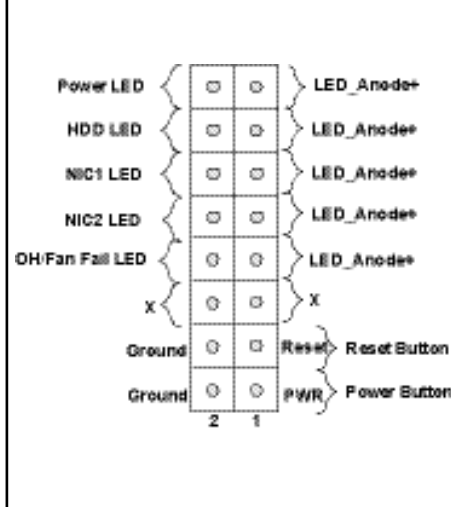
CPU Installation



Heatsink Installation



Front Panel Control (JF1)



Note: Graphics shown in this quick reference guide are for illustration only. Your components may or may not look exactly the same as drawings shown in this guide.

Note: Refer to Chapter 2 of the User Manual for detailed information on jumpers, connectors, and LED indicators.

Note: Refer to Chapter 2 of the User Manual for detailed information on memory support and CPU/motherboard installation instructions.