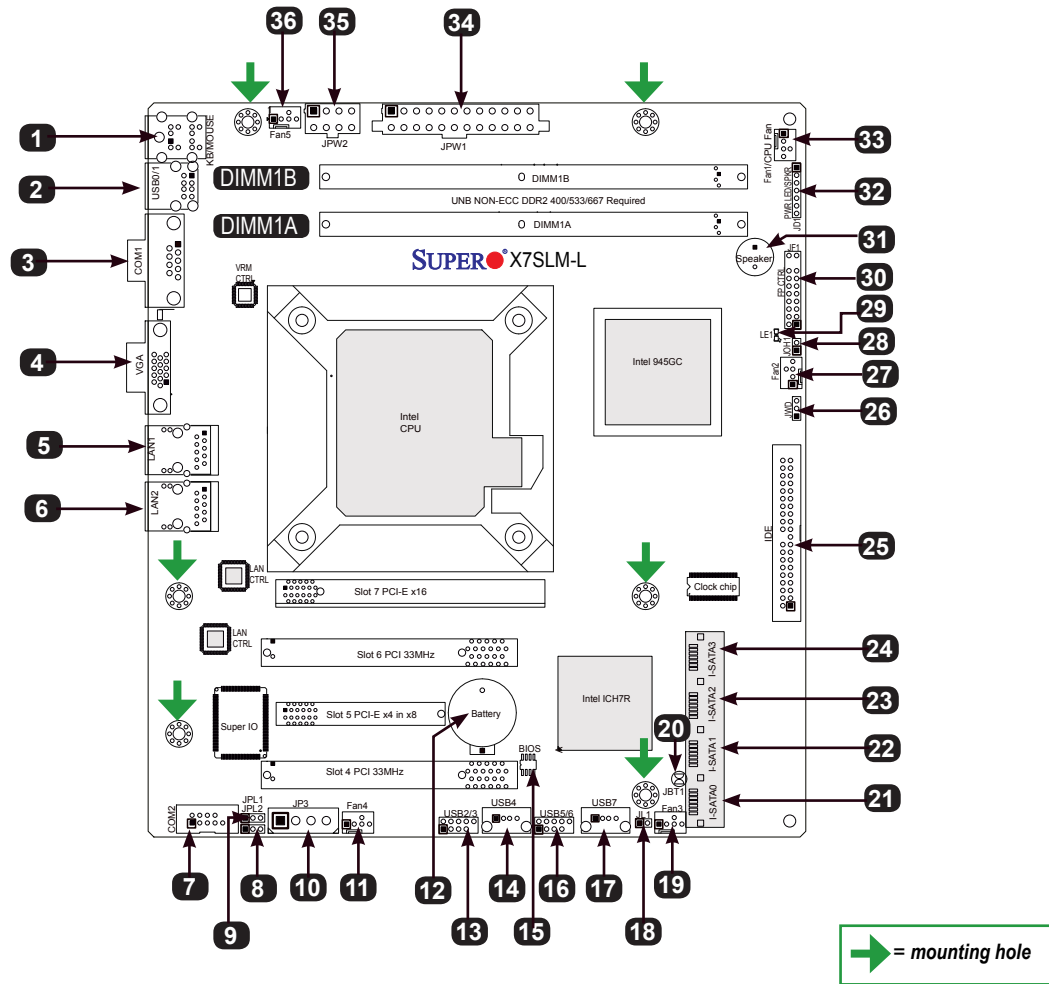


**Motherboard Layout and Features**



**Jumpers, Connectors and LED Indicators**

**Jumpers**

Label	Jumper	Description	Default
20	JBT1	CMOS Clear	See User's Manual, Chapter 2
8, 9	JPL1/JPL2	GLAN 1/2 Enable	Pins 1-2 (Enabled)
26	JWD	Watch Dog Timer Enable	Pins 1-2 (Reset)

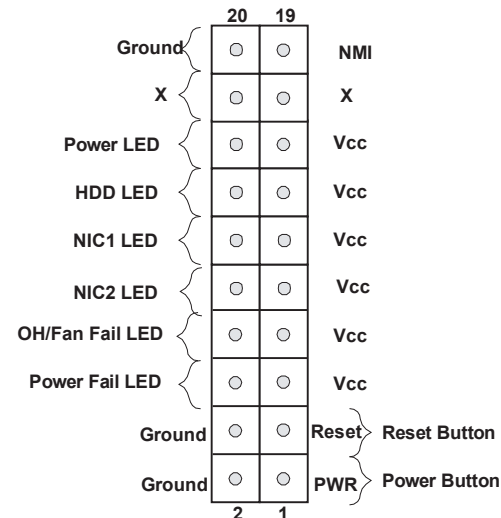
**Connectors**

Label	Connectors	Description
12	Battery	Onboard Battery
15	BIOS	SPI BIOS Chip
3,7	COM1, COM2	COM Port 1, COM 2 Header
33, 27, 19, 11, 36	Fans 1~5	CPU Fan (Fan 1), System Cooling Fans 2-5
25	IDE	IDE Hard Drive Connector
21, 22, 23, 24	I-SATA 0~3	Intel South Bridge SATA Headers
32	JD1	PWR LED/External Speaker Header
30	JF1	FP Control Panel Header
18	JL1	Chassis Intrusion Header
28	JOH1	Overheat LED Header
10	JP3	Power Extension Connector (for Add-on cards)
34	JPW1	ATX 24-pin Power Connector (Required)
35	JPW2	12V 8-pin Power Connector (Required)
5, 6	LAN1, LAN2	Ethernet RJ45 (Gigabit LAN) Connectors (LAN1, LAN2)
1	KB/Mouse	PS/2 Keyboard/Mouse
31	Speaker	Internal Speaker/Buzzer
2	USB 0/1	Back Panel Universal Serial Bus Ports 0/1
13, 16	USB 2/3, 5/6	Internal USB Ports
14, 17	USB 4, 7	USB Ports
4	VGA	Video Graphics Port

**LED Indicators**

Label	Description	Description
29	LE1	Onboard Power LED Indicator

**Front Panel Control (JF1)**



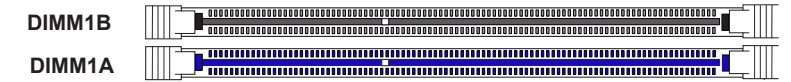
**Memory Support**

The X7SLM-L supports up to 2GB Unbuffered Non-ECC DDR2 667/533/400 in 2 DIMM slots. Populating these DIMM modules with a pair of memory modules of the same type and same size will result in interleaved memory, which will improve memory performance.

**Note:** For memory optimization, use only DIMM modules that have been validated by Supermicro. For the latest memory updates, please refer to our website at <http://www.supermicro.com/products/motherboard>.

**DIMM Installation**

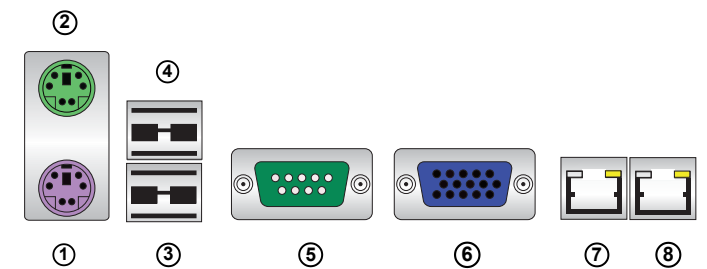
↑ Towards the edge of the motherboard



↓ Towards the CPU

**Note:** Populate DIMM1A first, then DIMM1B

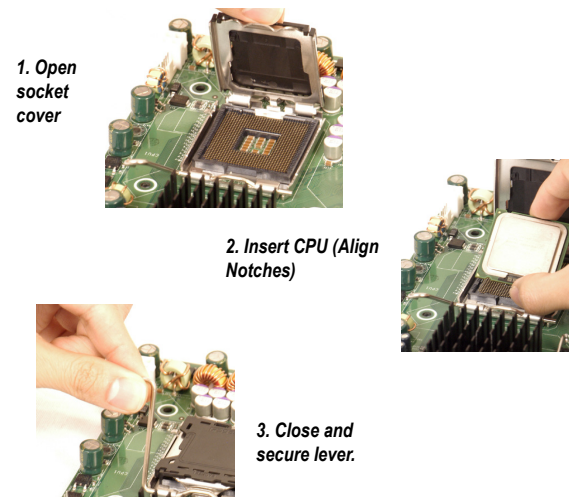
**Back Panel IO Connectors**



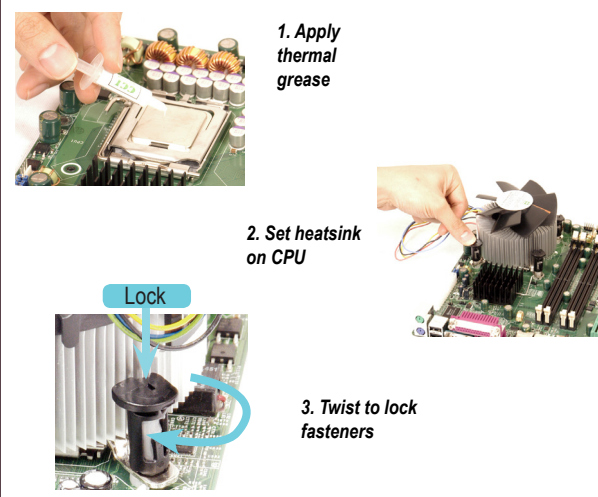
1. Keyboard (Purple)
2. PS/2 Mouse (Green)
3. USB Port 0
4. USB Port 1
5. COM 1 (Green)
6. VGA (Blue)
7. LAN1
8. LAN 2

**Note:** Refer to Chapter 2 of the User Manual for detailed information on memory support and CPU/motherboard installation instructions.

**CPU Installation**



**Heatsink Installation**



**Note:** Graphics shown in this quick reference guide are for illustration only. Your components may or may not look exactly the same as drawings shown in this guide.

**Note:** Refer to Chapter 2 of the User Manual for detailed information on jumpers, connectors, and LED indicators.