

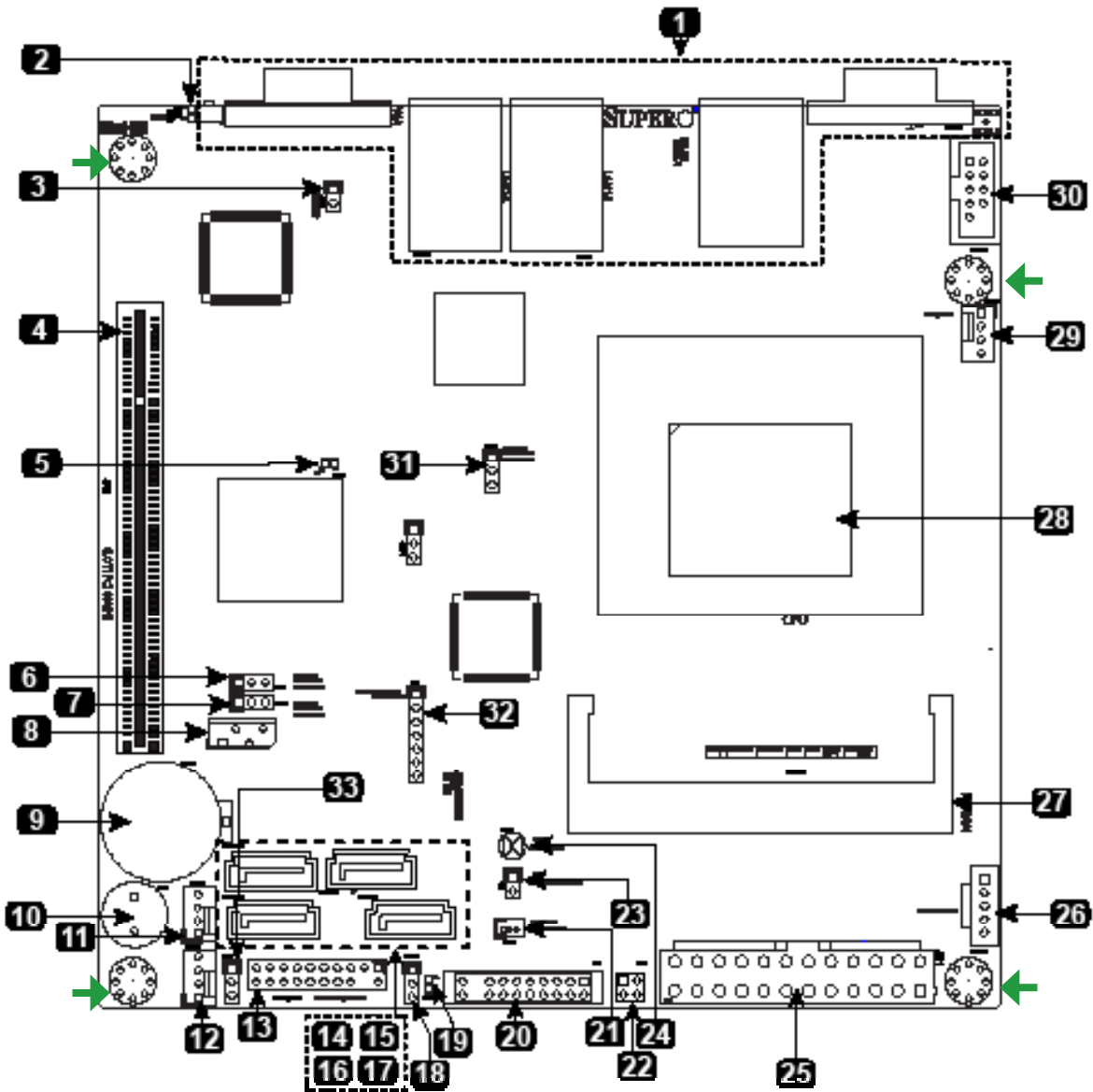
CONTACT INFORMATION

- www.supermicro.com (Email: support@supermicro.com)
- Manuals: <http://www.supermicro.com/support/manuals>
- Drivers & Utilities: <ftp://ftp.supermicro.com>
- Safety: http://www.supermicro.com/about/policies/safety_information.cfm

PACKAGE CONTENTS (Applies to individual-pack only)

- One (1) Supermicro Motherboard
- Two (2) SATA Cables
- One (1) I/O Shield
- One (1) Quick Reference Guide

Motherboard Layout and Features



→ = mounting hole

Jumpers, Connectors and LED Indicators

Jumpers

Item #	Jumper	Description	Default
6	JPB1*	BMC Enable/Disable	1-2 (Enabled) , 2-3 (Disabled)
7	JPG1*	On-board VGA Enable/Disable	1-2 (Enabled) , 2-3 (Disabled)
18	JWD1	Watch Dog Timer Reset	1-2 (Reset) , 2-3 (NMI)
24	JBT1	CMOS Reset	Short contact pads to reset CMOS
31	JPL1	LAN Enable/Disable	1-2 (Enabled) , 2-3 (Disabled)
33	J22	AC On Default	1-2 (On) , 2-3 (Off)

Connectors

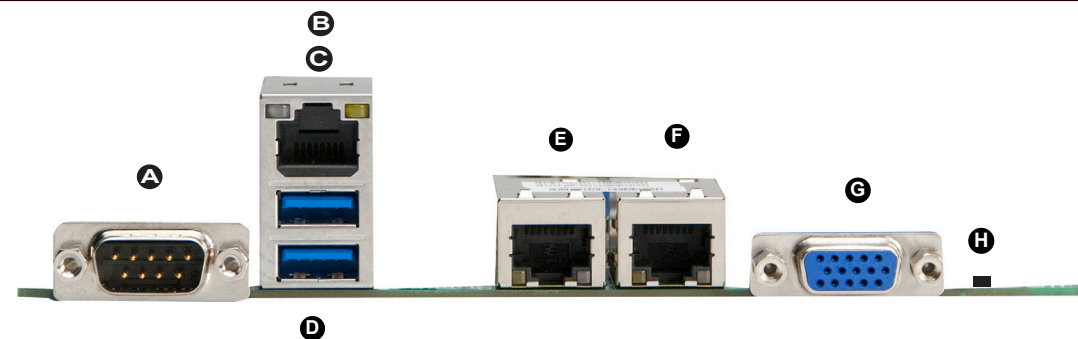
Item #	Connector	Description
1	Back Panel I/O	See detail at bottom of this page
3	JOH1	System Overheat Header
4	SLOT1	33MHz PCI Slot (Slot 1)
8	JIPMB1*	4-pin External BMC I2C Header
9	JBAT1	Internal Backup Battery
10	SP1	Internal Speaker/Buzzer
11,12,29	FAN3,2,1	System Fan Headers (FAN1=CPU Fan)
13	JTPM1	Trusted Platform Module (TPM) Header
14,15,16,17	SATA3,1,2,0	Internal SATA Ports
20	JF1	Front Panel Control Header, see detail on the right
21	JSD1	Disk-On-Module (DOM) Power Header
22	JF2	Reserved
23	JL1	Chassis Intrusion Header
25	JPW1	24-Pin ATX Power Header
26	JPI2C1	Power Supply SMBus I2C Header
27	SODIMM1	Memory Slot (SODIMM, up to 8GB)
28	CPU	Intel ATOM SoC S1260, BGA1283, 8.5W, 2.0GHz 2C/4T
30	COM1*	Internal COM1 Header
32	JD1	Pins 1-3: Power LED, Pins 4-7: Ext. Speaker Header

LED Indicators

Item #	LED	Description	Color/State	Status
2	UID*	Unit ID LED	Blue/Solid	Unit ID switch is on
5	DM1*	IPMI Heartbeat	Green/Blinking	IPMI On/Normal
19	LE1	System Power LED	Green/Solid	System On/Running

* X9SBAA-F Only

Back Panel IO Connectors



A. COM3	E. LAN1
B. IPMI LAN*	F. LAN2
C. USB0 (USB 3.0)	G. VGA Port*
D. USB1 (USB 3.0)	H. Unit ID Switch*

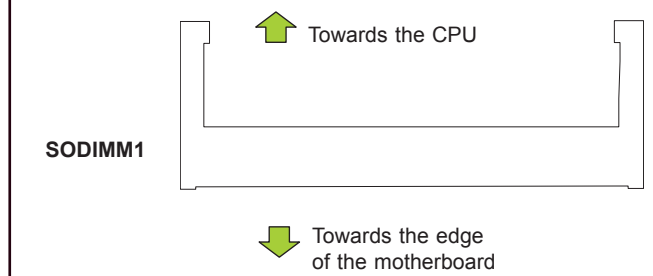
* for X9SBAA-F only

Memory Support

One memory slot supports up to 8GB of DDR3 ECC SODIMM 1333MHz.

Note: For memory optimization, use only SODIMM modules that have been validated by Supermicro. For the latest memory updates, please refer to our website at <http://www.supermicro.com/products/motherboard>.

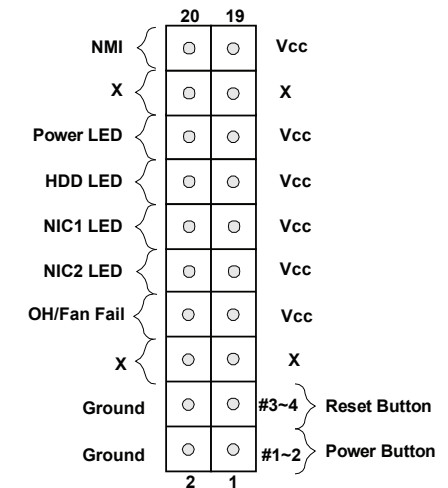
DIMM Installation



Memory Population Guidelines

There is one SODIMM slot for one SODIMM module. Make sure that the module is aligned and inserted properly.

Front Panel Control (JF1)



Note: Graphics shown in this quick reference guide are for illustration only. Your components may or may not look exactly the same as drawings shown in this guide.

Note: Refer to Chapter 2 of the User Manual for detailed information on jumpers, connectors, and LED indicators.

Note: Refer to Chapter 2 of the User Manual for detailed information on memory support and CPU/motherboard installation instructions.