

CONTACT INFORMATION

- Website: www.supermicro.com
- General Information: marketing@supermicro.com
- Technical Support: support@supermicro.com
- Phone: +1 (408) 503-8000, Fax: +1 (408) 503-8008

FOR YOUR SYSTEM TO WORK PROPERLY, PLEASE DOWNLOAD APPROPRIATE DRIVERS/IMAGES/USER'S MANUAL FROM THE LINKS BELOW:

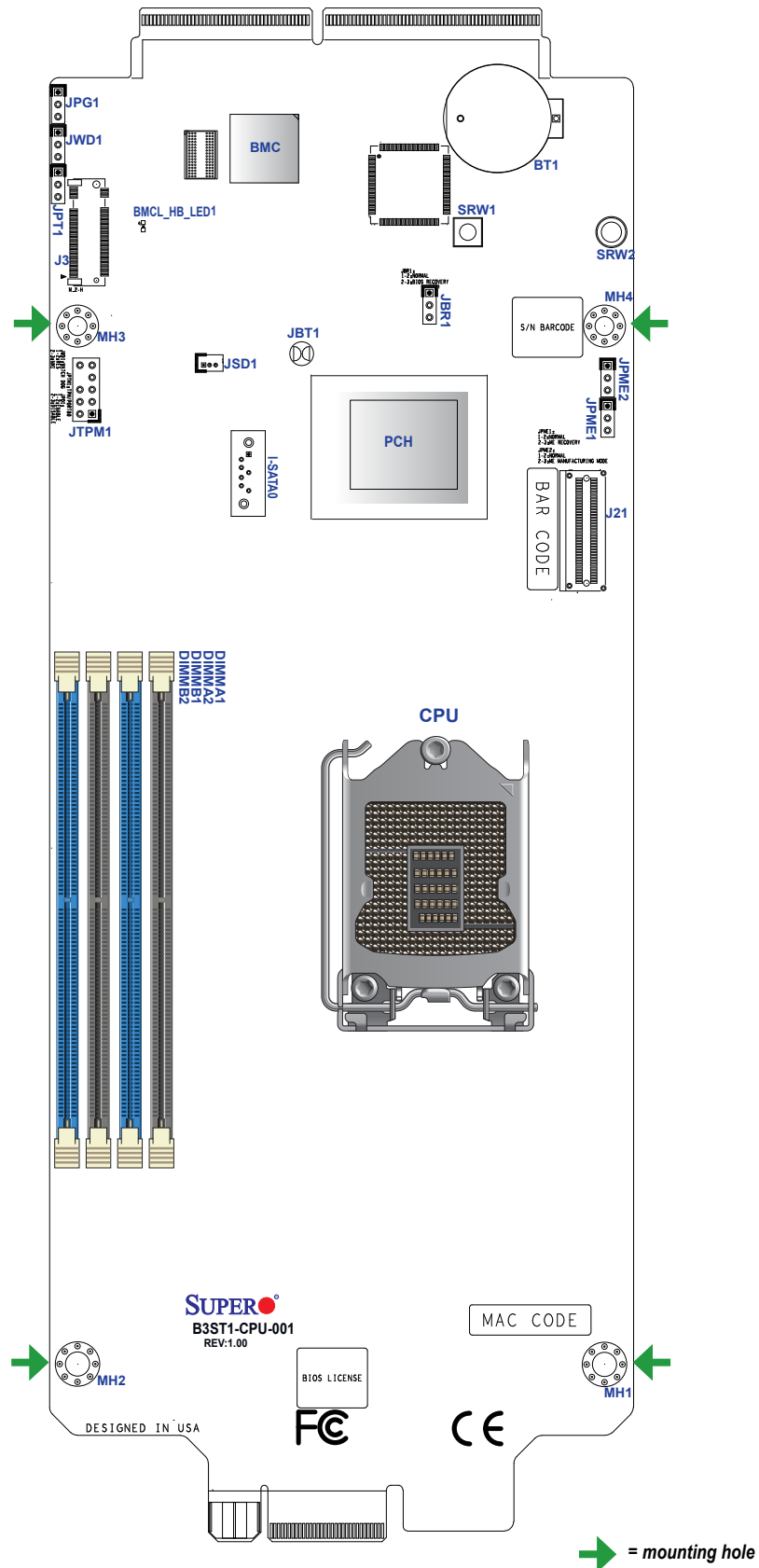
- Manuals: <http://www.supermicro.com/support/manuals>
- Drivers & Utilities: <https://www.supermicro.com/wdl/driver/>
- Safety: http://www.supermicro.com/about/policies/safety_information.cfm

PACKAGE CONTENTS

- One Supermicro Motherboard
- One Quick Reference Guide



Motherboard Layout and Features



Note: Graphics shown in this quick reference guide are for illustration only. Your components may or may not look exactly the same as drawings shown in this guide.

Jumpers, Connectors, and LED Indicators

Jumpers

Jumper	Description	Default Setting
JBR1	BIOS Recovery	Pins 1-2 (Normal)
JBT1	CMOS Clear	Open (Normal)
JPG1	VGA Enable/Disable	Pins 1-2 (Enabled)
JPME1	ME Recovery	Pins 1-2 (Normal)
JPME2	ME Manufacturing Mode	Pins 1-2 (Normal)
JPT1	Onboard TPM 2.0 Enable/Disable	Pins 2-3 (Disabled)
JWD1	Watchdog Timer	Pins 1-2 (Reset)

Connectors

Connector	Description
BT1	Onboard Battery
I-SATA0	SATA 3.0 Port
J3	M.2 Connector
J21	Slim SAS Connector (connects U.2 NVMe drives on AOM-BPNIO-MSH2 through Slim SAS cable)
JSD1	SATA DOM Power Connector
JTPM1	Trusted Platform Module/Port 80 Connector
SRW1, SRW2	M.2 Holding Screws

LED Indicators

LED	Description	Status
BMCL_HB_LED1	BMC Heartbeat LED	Blinking Green: BMC Normal

CPU Support

The B3ST1-CPU-001 motherboard supports an Intel® Xeon E-2300 Family processor in an LGA 1200 socket.

Note: Refer to Chapter 1 of the User Manual for detailed information on jumpers, connectors, and LED indicators.

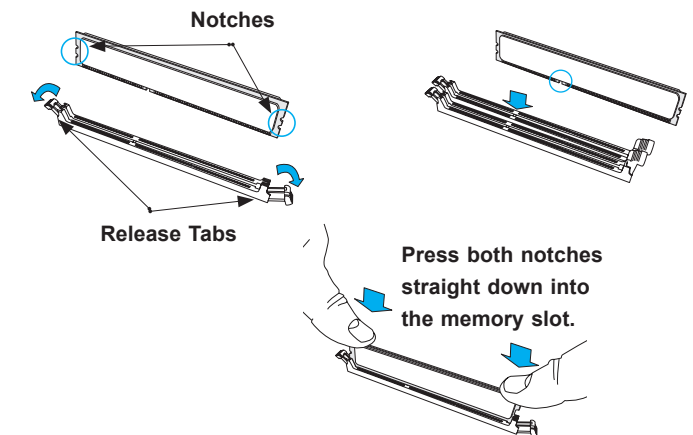
Memory Support

The B3ST1-CPU-001 motherboard supports up to 128 GB of DDR4 ECC UDIMM with speeds of up to 3200 MHz in four memory slots.

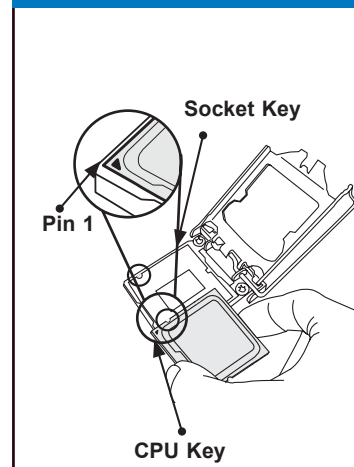
DIMM Memory Installation

Recommended Population (Balanced)				
DIMMA1	DIMMB1	DIMMA2	DIMMB2	Total System Memory
		4 GB	4 GB	8 GB
4 GB	4 GB	4 GB	4 GB	16 GB
		8 GB	8 GB	16 GB
8 GB	8 GB	8 GB	8 GB	32 GB
		16 GB	16 GB	32 GB
16 GB	16 GB	16 GB	16 GB	64 GB
		32 GB	32 GB	64 GB
32 GB	32 GB	32 GB	32 GB	128 GB
		64 GB	64 GB	128 GB

1. Insert DIMM modules in the following order: DIMMA2, DIMMB2, then DIMMA1, DIMMB1. For the system to work properly, use memory modules of the same type and speed.

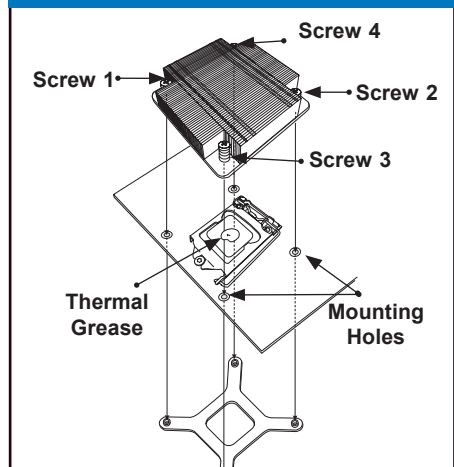


CPU Installation



Note: Refer to Chapter 2 of the User Manual for detailed information on memory support and CPU/motherboard installation instructions.

Heatsink Installation



MNL-2430-QRG-10b

© 2025 Supermicro Computer, Inc. All rights reserved. Reproduction of this document whether in part or in whole is strictly prohibited without Supermicro's written consent. All trademarks are property of their respective entities. All information provided is deemed accurate at the time of printing. However, it is not guaranteed.