

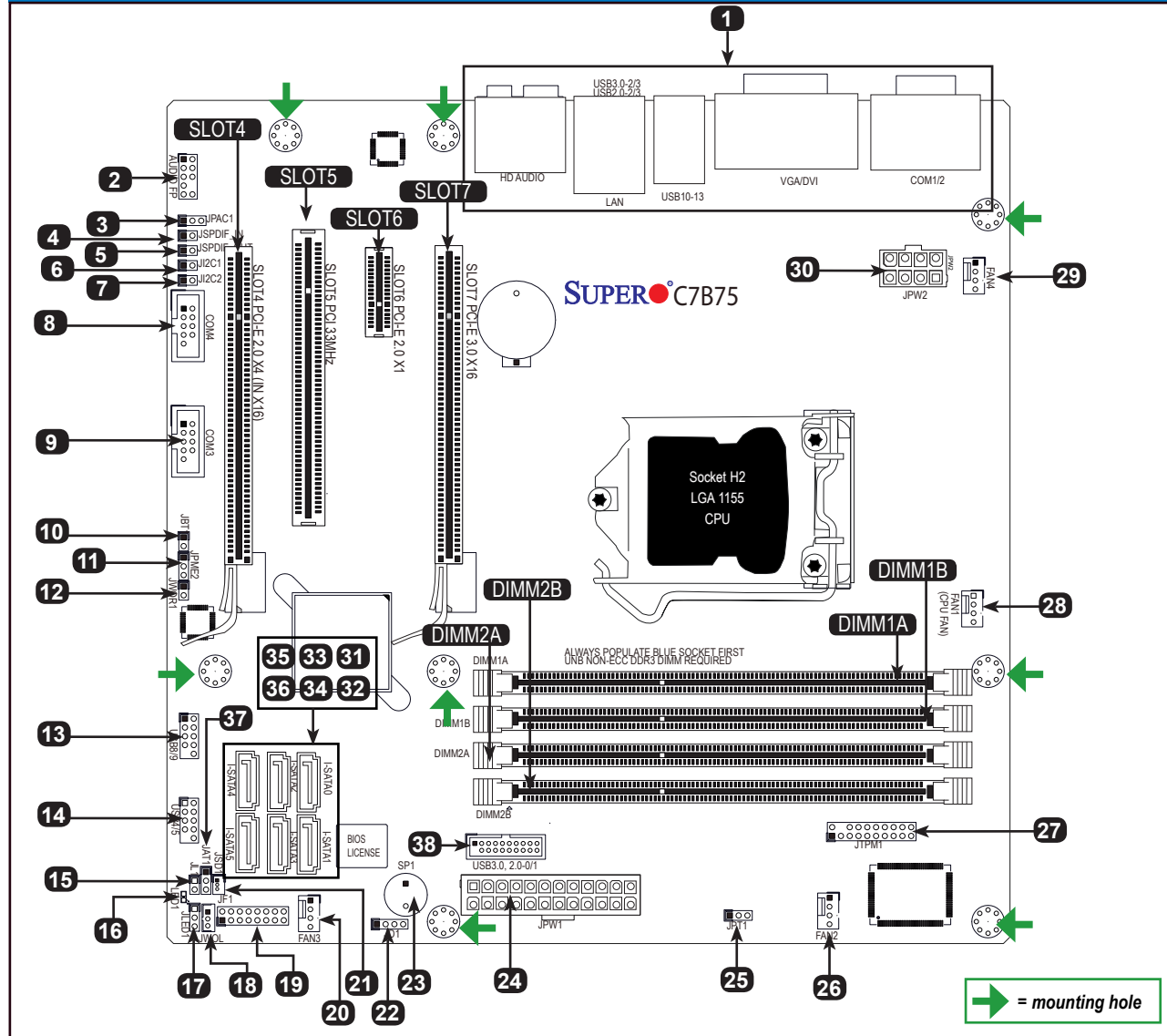
CONTACT INFORMATION

- www.supermicro.com (Email: support@supermicro.com)
- Manuals: http://www.supermicro.com/support/manuals
- Drivers & Utilities: ftp://ftp.supermicro.com
- Safety: http://www.supermicro.com/about/policies/safety_information.cfm

PACKAGE CONTENTS (Applies to individual-pack only)

- One (1) Supermicro Motherboard
- Six (6) SATA Cables
- One (1) I/O Shield
- One (1) Quick Reference Guide

Motherboard Layout and Features



Jumpers, Connectors and LED Indicators

Jumpers			
3	JPAC1	Audio Enable	Pins 1-2 (Enabled)
6,7	J12C1,J12C2	SMB to PCI Slots	Off (Disabled)
10	JBT1	CMOS Reset	Off (Disabled)
11	JPME2	Intel ME Manufacturing Mode	Pins 1-2 (Disabled)
22	JD1	External Speaker	Pins 3-4 (Disabled, Onboard Buzzer Enabled)
25	JPT1	TPM Enable	Pins 2-3 (TPM Disabled)
37	JAT1	ATX Mode	Pins 1-2 (ATX Mode On)

Connectors		
1	Backpanel I/O	See "Backpanel I/O Connectors", below
2	AUDIO FP	Front Panel Audio Header
4,5	JS/PDIF_IN/OUT	S/PDIF Digital Audio Header In/Out
8,9	COM4,COM3	Serial Headers for COM4,COM3
12	JWOR	Wake-On-Ring Header
13,14	USB 8/9,4/5	USB Headers 8/9, 4/5
15	JL1	Chassis Intrusion Header
17	JLED1	Power LED Header
18	JWOL	Legacy Wake-On-LAN Header
19	JF1	Front Panel Control/LED Header
20,26,28,29	FAN 3,2,1,4	Fan Headers 3,2,1 (CPU Fan),4
21	JSD1	Disk On Module (DOM) Power Header
22	JD1	Ext Speaker Header (remove jumper and attach speaker cable)
23	SP1	Onboard Buzzer
24	JPW1	24-Pin ATX Power Connector
27	JTPM1	Trusted Platform Module (TPM) Header
30	JPW2	8-Pin ATX Auxiliary Power Connector
31~36	I-SATA 0,1,2,3,4,5	SATA Ports 0~5 (I-SATA 0 supports 6Gb/s)
38	USB 0/1	USB 3.0/2.0 Header 0/1

LED Indicators				
16	LED1	Onboard Standby PWR LED	Green: Solid on	Power is On

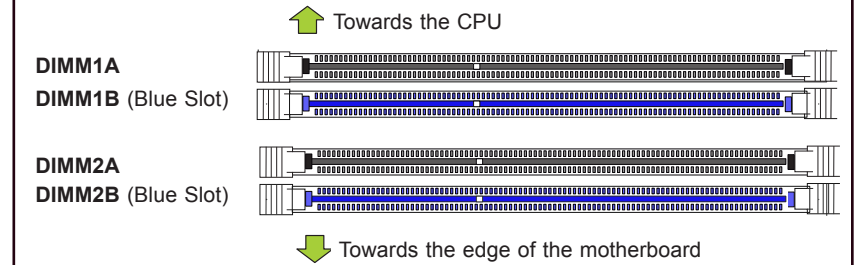
Note: Refer to Chapter 1 of the User Manual for detailed information on jumpers, connectors, and LED indicators.

Memory Support

The C7B75 Motherboard supports up to 32GB of Unbuffered (UDIMM) non-ECC DDR3 1600/1333/1066 MHz in 4 memory slots.

Note: For memory optimization, use only DIMM modules that have been validated by Supermicro. For the latest memory updates, please refer to our website at <http://www.supermicro.com/products/motherboard>.

DIMM Memory Installation



Memory Population Guidelines

When installing memory modules, the DIMM slots should be populated in the following order: DIMM1B (blue), DIMM2B (blue), DIMM1A and DIMM2A.

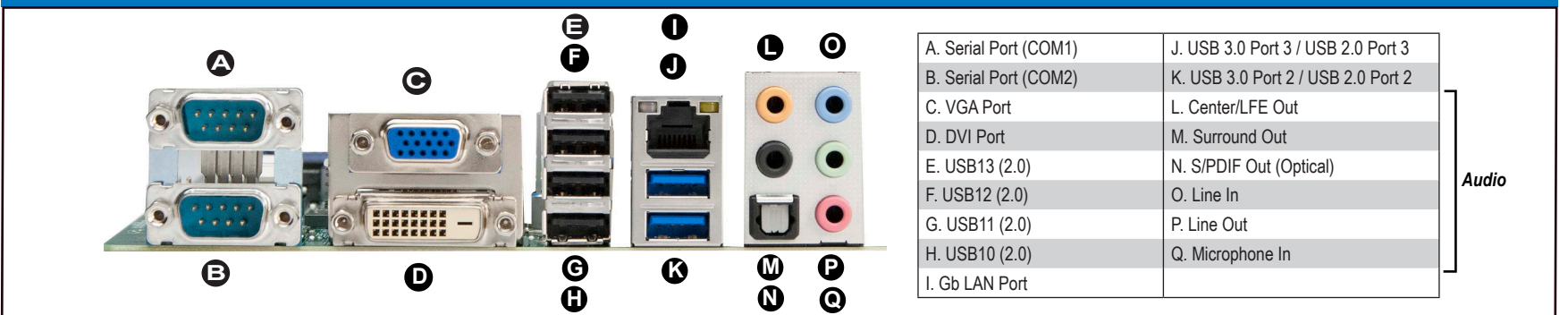
- Always use DDR3 DIMM modules of the same size, type and speed.
- Mixed DIMM speeds can be installed. However, all DIMMs will run at the speed of the slowest DIMM.
- The motherboard will support one DIMM module or three DIMM modules installed. However for best memory performance, install DIMM modules in pairs.

Recommended Population (Balanced)

DIMM1B Slot	DIMM2B Slot	DIMM1A Slot	DIMM2A Slot	Total System Memory
2GB	2GB			4GB
2GB	2GB	2GB	2GB	8GB
4GB	4GB			8GB
4GB	4GB	4GB	4GB	16GB
8GB	8GB			16GB
8GB	8GB	8GB	8GB	32GB

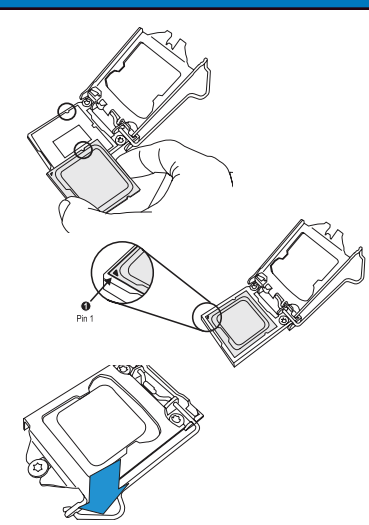
Note: Due to memory allocation to system devices, the amount of memory that remains available for operational use will be reduced when 4 GB of RAM is used.

Back Panel I/O Connectors

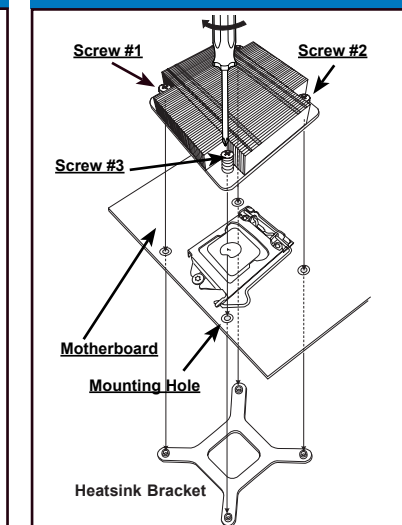


Note: Refer to Chapter 2 of the User Manual for detailed information on memory support and CPU/motherboard installation instructions.

CPU Installation



Heatsink Installation



Front Panel Control (JF1)

