

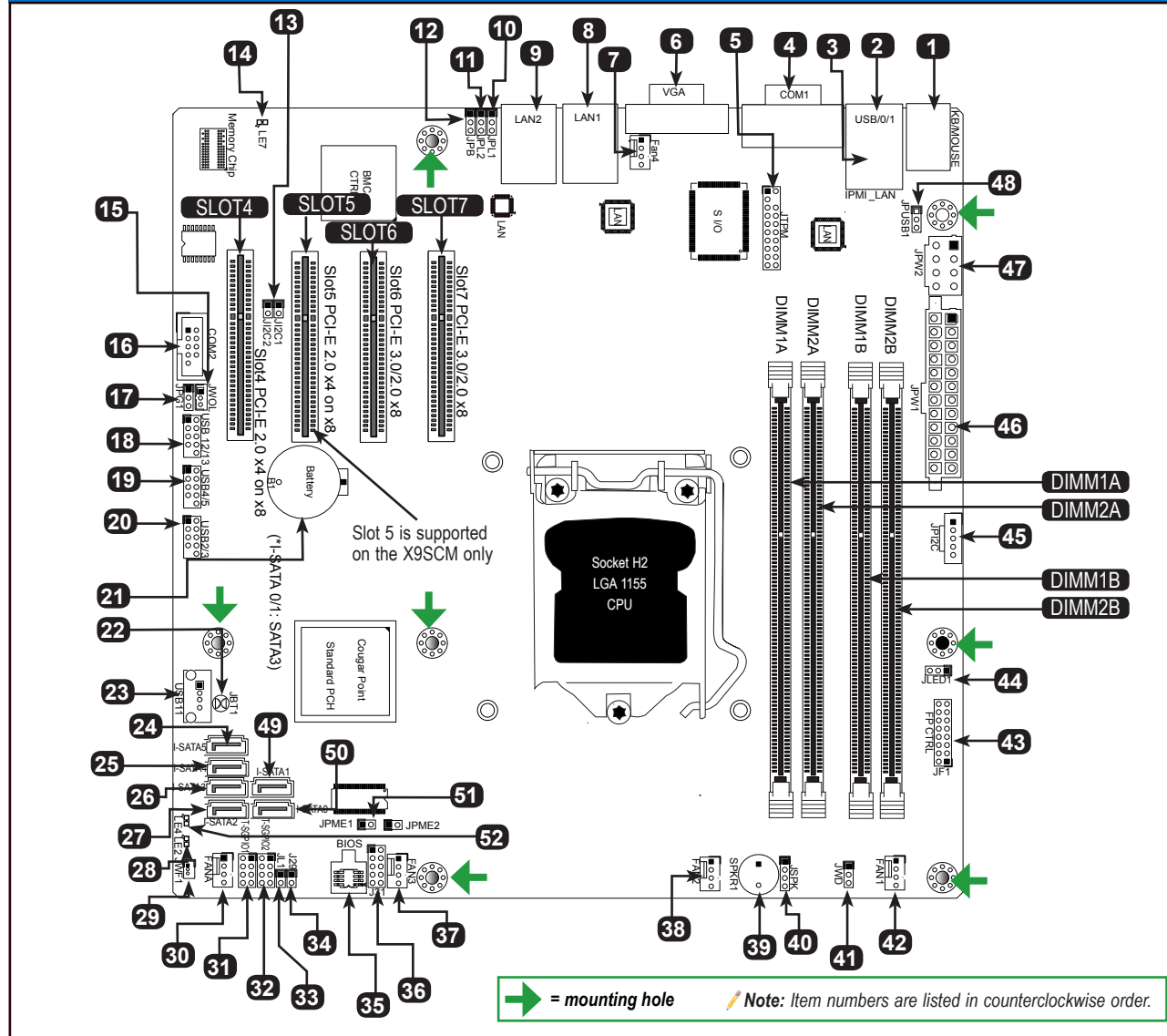
CONTACT INFORMATION

- www.supermicro.com (Email: support@supermicro.com)
- Manuals: http://www.supermicro.com/support/manuals
- Drivers & Utilities: ftp://ftp.supermicro.com
- Safety: http://www.supermicro.com/about/policies/safety_information.cfm

PACKAGE CONTENTS (Applies to individual-pack only)

- One (1) Supermicro Motherboard
- Six (6) SATA Cables
- One (1) I/O Shield
- One (1) Quick Reference Guide

Motherboard Layout and Features



Jumpers, Connectors and LED Indicators

Jumpers			
10, 11	JPL1/JPL2	LAN1/LAN2 Enable	Pins 1-2 (Enabled)
12	JPB	BMC Enable	Pins 1-2 (Enabled)
13	JI2C1/JI2C2	SMB to PCI Slots	(See Chpt. 2)
17	JPG1	Onboard VGA Enable	Pins 1-2 (Enabled)
22	JBT1	CMOS Clear	(See Chpt. 2)
34	J29	SPI Programming (internal use)	Closed (Normal)
41	JWD	Watch_Dog Timer Enable	Pins 1-2 (Reset)
48	JPUSB1	USB 0/1 Wake-Up Enable	Pins 1-2 (Enabled)
51	JPME1	ME Recovery	Open (Normal)

Connectors		
1	KB/Mouse	Keyboard/Mouse Connectors
2	USB0/1	Backpanel USB 0/1
3, 8, 9	IPMI LAN, LAN1/LAN2	IPMI LAN (F-models), Gigabit (RJ45) Ports (LAN1/2)
4, 16	COM1/COM2	Back panel COM1 port, COM2 header
5	JTPM	Trusted Platform Module (TPM) Header
6	VGA	Onboard Video Port
7, 30, 37, 38, 42	Fan4, FanA, Fans 3/2/1	System/CPU Fan Headers
15	JWOL	Wake_On_LAN Header
18, 19, 20	USB 12/13, 4/5, 2/3	Front Accessible USB Connections (via 3 Headers)
21	B1	Onboard Battery
23	USB 11	Front Accessible Type A USB Connector
24, 25, 26, 27	I-SATA 5, 4, 3, 2	SATA-II Ports
29	JWF1	SATA DOM (Device_On_Module) Power Connector
31, 32	T-SGPIO-1/2	Serial_Link General Purpose IO 1/2 Headers
33	JL1	Chassis Intrusion Header
35	BIOS	SPI BIOS
36	J31	SPI Programming (internal use)
39	SPKR1	Internal Speaker/Buzzer
40	JSPK	Speaker Header (Pins 3/4: Internal, 1~4:External)
43	JF1	Front Panel Control Header
44	JLED	Power LED Indicator Header
45	JPI2C	PWR supply (I2C) System Management Bus
46	JPW1	24-pin ATX Main Power Connector (Required)
47	JPW2	+12V 8-pin CPU power Connector (Required)
49, 50	I-SATA 1/ I-SATA 0	Serial ATA Ports 0/1 (X9SCM: SATA-III Ports)

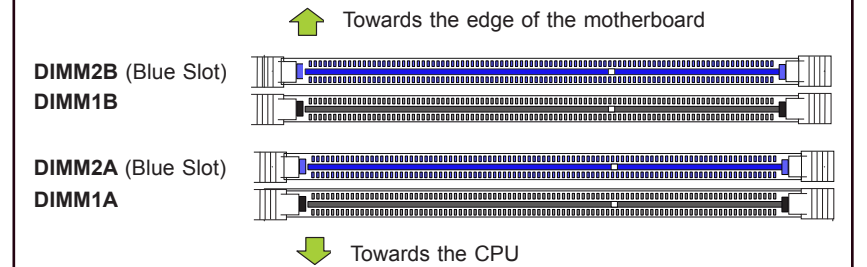
LED Indicators			
14	LE7	IPMI Heartbeat LED	Green: Blinking IPMI Active
28	LE2	Onboard Standby PWR LED	Green: Solid on Power is On
52	LE4	Power Standby	Green: Solid on System is plugged in

Memory Support

The X9SCM Motherboard Series supports up to 32GB of Unbuffered (UDIMM) DDR3 ECC 1600/1333 MHz in 4 memory slots.

Note: For memory optimization, use only DIMM modules that have been validated by Supermicro. For the latest memory updates, please refer to our website at <http://www.supermicro.com/products/motherboard>.

DIMM Memory Installation



Memory Population Guidelines

When installing memory modules, the DIMM slots should be populated in the following order: DIMM2A, DIMM2B, DIMM1A and DIMM1B.

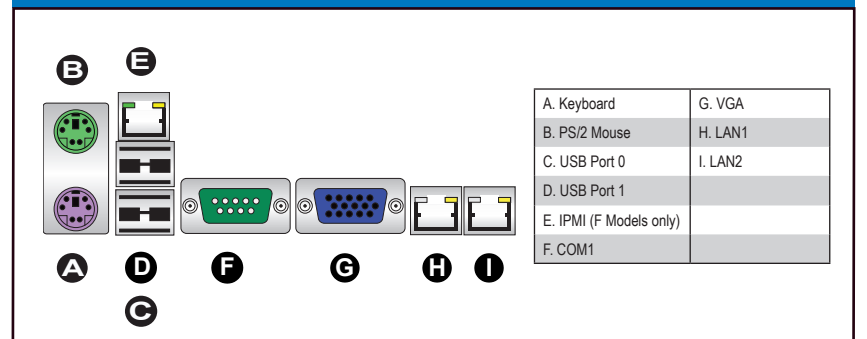
- Always use DDR3 DIMM modules of the same size, type and speed.
- Mixed DIMM speeds can be installed. However, all DIMMs will run at the speed of the slowest DIMM.
- The motherboard will support one DIMM module or three DIMM modules installed. However for best memory performance, install DIMM modules in pairs.

Recommended Population (Balanced)

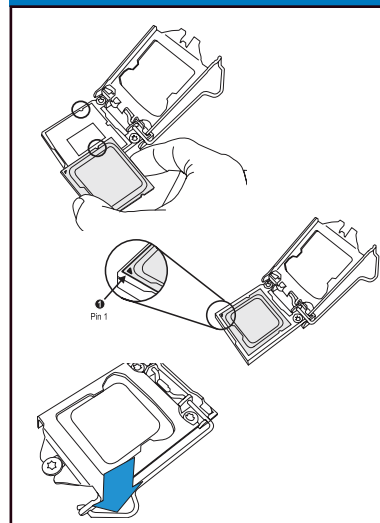
DIMM2A Slot	DIMM2B Slot	DIMM1A Slot	DIMM1B Slot	Total System Memory
2GB	2GB			4GB
2GB	2GB	2GB	2GB	8GB
4GB	4GB			8GB
4GB	4GB	4GB	4GB	16GB
8GB	8GB			16GB
8GB	8GB	8GB	8GB	32GB

Note: Due to memory allocation to system devices, the amount of memory that remains available for operational use will be reduced when 4 GB of RAM is used.

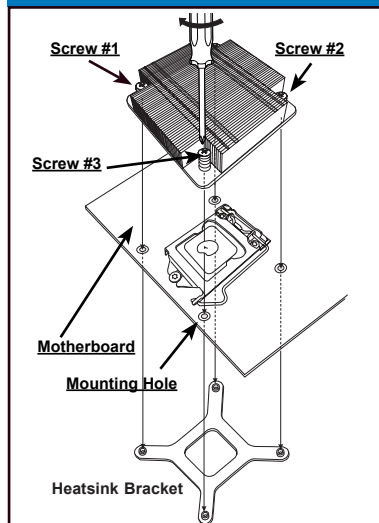
Back Panel I/O Connectors



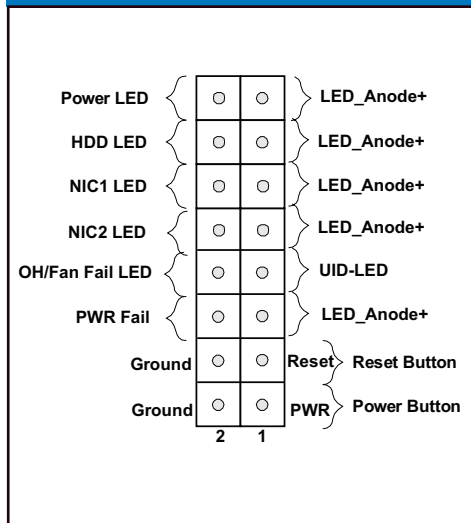
CPU Installation



Heatsink Installation



Front Panel Control (JF1)



Note: Graphics shown in this quick reference guide are for illustration only. Your components may or may not look exactly the same as drawings shown in this guide.

Note: Refer to Chapter 1 of the User Manual for detailed information on jumpers, connectors, and LED indicators.

Note: Refer to Chapter 2 of the User Manual for detailed information on memory support and CPU/motherboard installation instructions.