

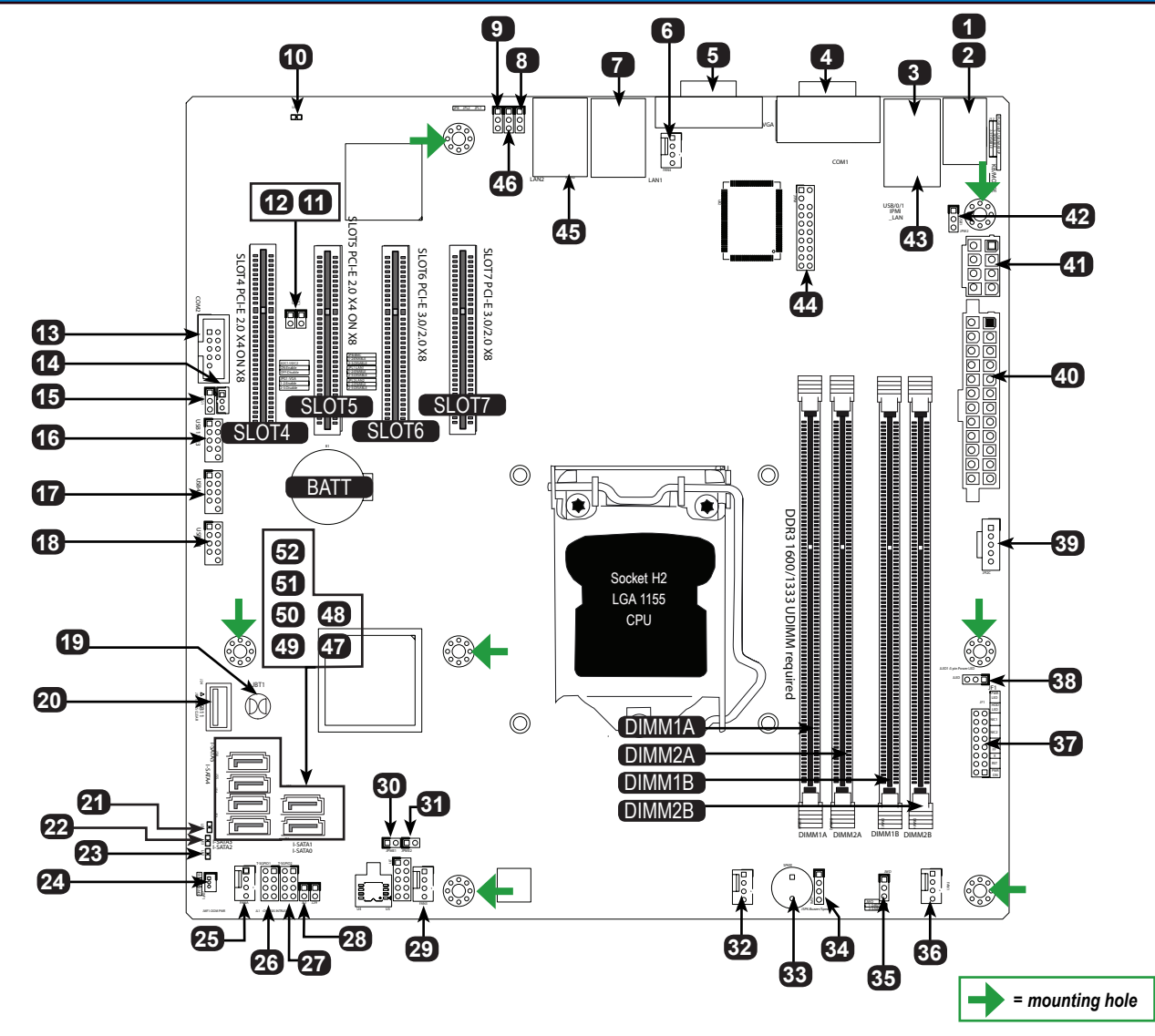
CONTACT INFORMATION

- www.supermicro.com (Email: support@supermicro.com)
- Manuals: http://www.supermicro.com/support/manuals
- Drivers & Utilities: ftp://ftp.supermicro.com
- Safety: http://www.supermicro.com/about/policies/safety_information.cfm

PACKAGE CONTENTS (Applies to individual-pack only)

- One (1) Supermicro Motherboard
- Six (6) SATA Cables
- One (1) I/O Shield
- One (1) Quick Reference Guide

Motherboard Layout and Features



Jumpers, Connectors and LED Indicators

Jumpers			
8,46	JPL1/JPL2	LAN1/LAN2 Enable	Pins 1-2 (Enabled)
9	JPB	BMC Enable	Pins 1-2 (Enabled)
11,12	J12C1/J12C2	PCI Slot SMB Enable	Pins 1-2 (Enabled)
15	JPG1	On board VGA Enable	Pins 1-2 (Enabled)
19	JBT1	Clear CMOS	Short contact pads to reset CMOS
30	JPME1	ME Recovery	Open (Normal)
31	JPME2	BIOS Recovery	Open (Normal)
35	JWD	Watch Dog Timer Enable	Pins 1-2 (Reset)
42	JPUSB1	USB Wake Up (for USB0/1)	Pins 2-3 (Enabled)

Connectors		
1,2	KB/MOUSE	Back panel Keyboard and Mouse port
3	IPMI	IPMI LAN Port
4,13	COM1, COM2	Back panel COM1 port, COM2 header
5	VGA	On board Video Port
6,25,29,32,36	FAN 4, A, 3, 2, 1	System/CPU Fan Headers
7,45	JLAN1, JLAN2	Gigabit (RJ45) Ports (LAN1/2)
14	JSTBY1	Stand-by Power header
16,17,18	USB 12/13, 4/5, 2/3	Internal USB 2.0 headers
20	USB 11	Internal USB 2.0 Type "A" connector
24	JSD1	SATA DOM (Disk On Module) Power Connector
26,27	T-SGPIO-1/2	Serial Link General Purpose IO 1/2 Headers (5V Gen1/Gen 2)
28	JL1	Chassis Intrusion Header
33	SPKR1	Internal speaker/buzzer
34	JSPK	Speaker header (Pins 3/4: Internal, 1-4:External)
37	JF1	Front Panel Control Header
38	JLED	3-pin Power LED header
39	JPI2C	PWR supply (I2C) System Management Bus
40	JPW1	24-pin ATX Main Power Connector (Required)
41	JPW2	+12V 8-pin CPU power Connector (Required)
43	USB 0/1	Back panel USB 2.0 ports 0/1
44	JTPM	Trusted Platform Module (TPM) Header
47,48	I-SATA 0/1	SATA 3.0 ports 0/1 (6Gb/s)
49,50,51,52	I-SATA 2-5	SATA 2.0 ports 2-5 (3Gb/s)

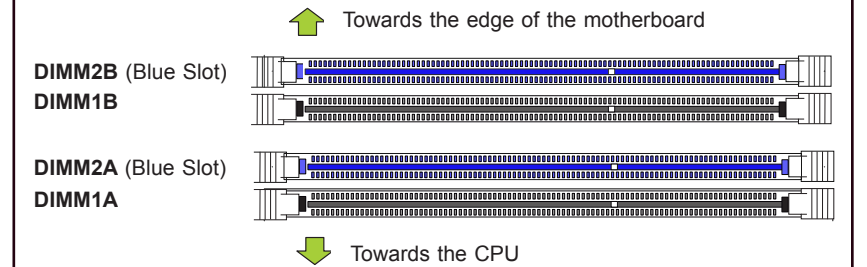
LED Indicators			
10	LE7	IPMI Heartbeat LED	Green: Blinking IPMI Active
21	LE4	Power LED	Green: On, Steady System is on/running
22	LE3	Memory Support	Green: Blinking Unsupported memory is installed
23	LE2	Standby Power LED	Green: On, Steady Power is connected

Memory Support

The X9SCM-II/X9SCL-II Motherboard Series supports up to 32GB of Unbuffered (UDIMM) DDR3 ECC 1600/1333/1066 MHz in 4 memory slots.

Note: For memory optimization, use only DIMM modules that have been validated by Supermicro. For the latest memory updates, please refer to our website at <http://www.supermicro.com/products/motherboard>.

DIMM Memory Installation



Memory Population Guidelines

When installing memory modules, the DIMM slots should be populated in the following order: DIMM2A, DIMM2B, DIMM1A and DIMM1B.

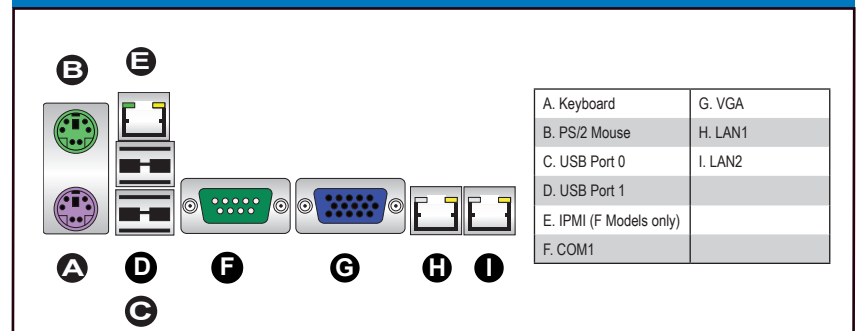
- Always use DDR3 DIMM modules of the same size, type and speed.
- Mixed DIMM speeds can be installed. However, all DIMMs will run at the speed of the slowest DIMM.
- The motherboard will support one DIMM module or three DIMM modules installed. However for best memory performance, install DIMM modules in pairs.

Recommended Population (Balanced)

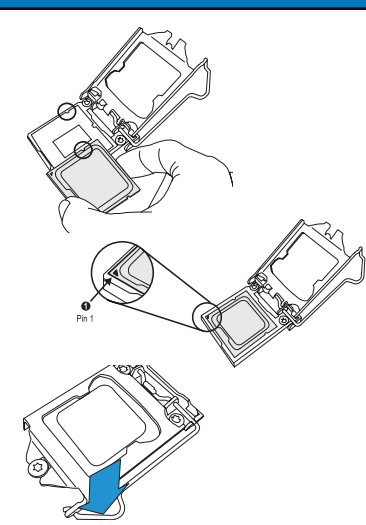
DIMM2A Slot	DIMM2B Slot	DIMM1A Slot	DIMM1B Slot	Total System Memory
2GB	2GB			4GB
2GB	2GB	2GB	2GB	8GB
4GB	4GB			8GB
4GB	4GB	4GB	4GB	16GB
8GB	8GB			16GB
8GB	8GB	8GB	8GB	32GB

Note: Due to memory allocation to system devices, the amount of memory that remains available for operational use will be reduced when 4 GB of RAM is used.

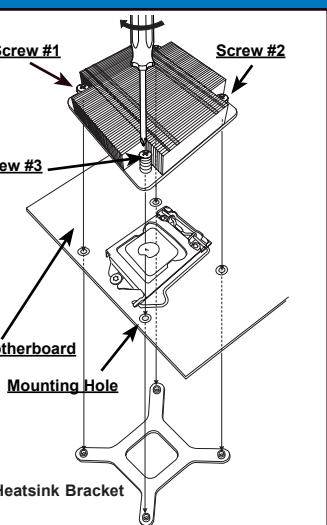
Back Panel I/O Connectors



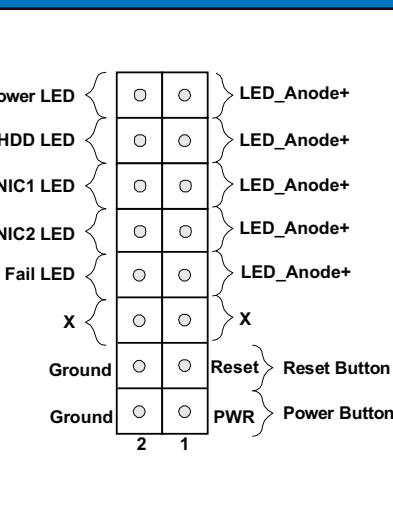
CPU Installation



Heatsink Installation



Front Panel Control (JF1)



Note: Graphics shown in this quick reference guide are for illustration only. Your components may or may not look exactly the same as drawings shown in this guide.

Note: Refer to Chapter 1 of the User Manual for detailed information on jumpers, connectors, and LED indicators.

Note: Refer to Chapter 2 of the User Manual for detailed information on memory support and CPU/motherboard installation instructions.