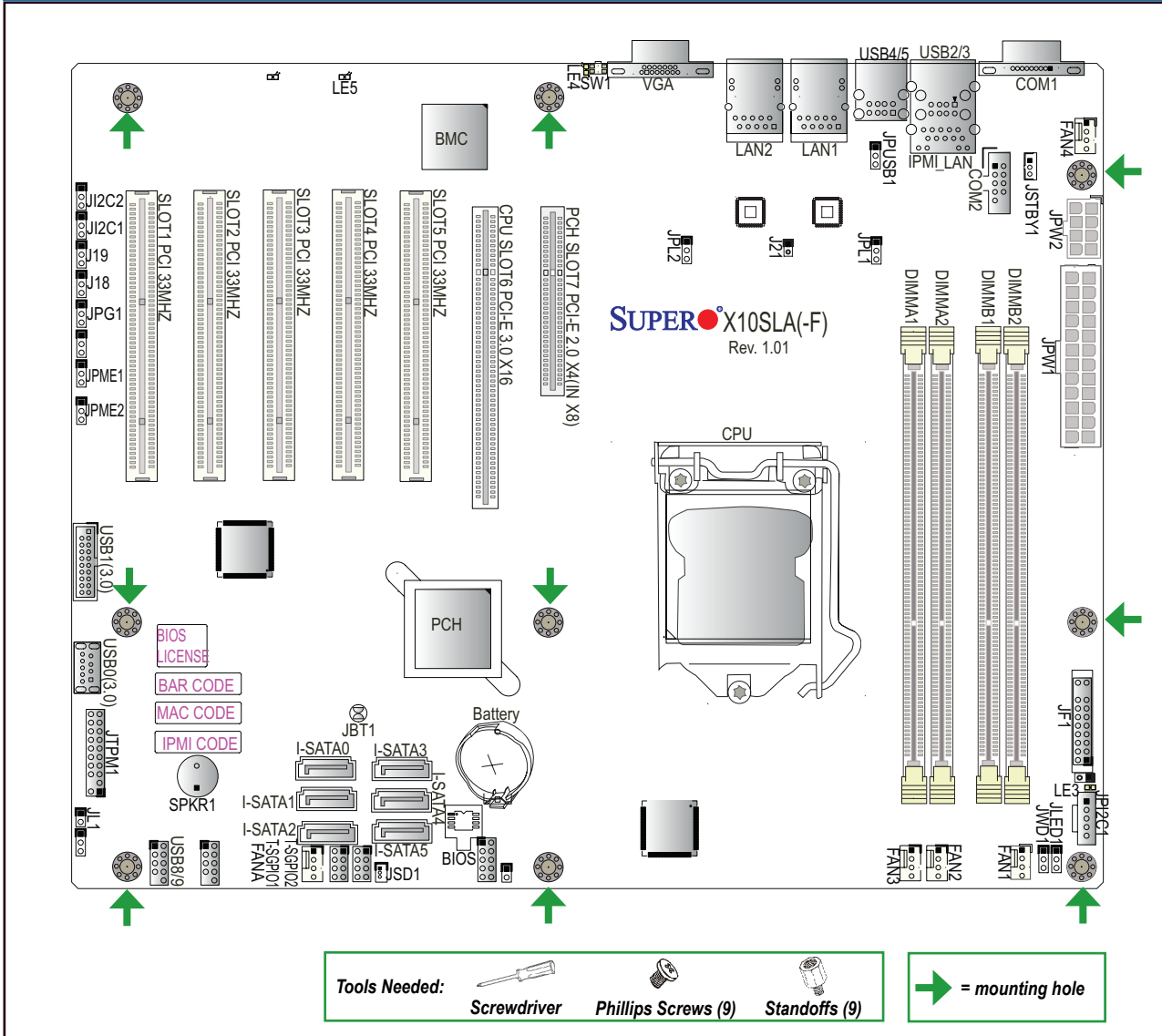


**Motherboard Layout and Features**



**Jumpers, Connectors and LED Indicators**

Jumpers		
Jumper	Description	Default
JBT1	CMOS Clear	Open: Normal, Short: Clear CMOS
J1 <sup>2</sup> C1/J1 <sup>2</sup> C2	Disable SMB to PCI Slots	Pins 2-3 (Disabled)
JPG1	VGA Enable	Pins 1-2 (Enabled)
JPL1/JPL2	LAN1/LAN2 Enable	Pins 1-2 (Enabled)
JPME1	ME Recovery	Pins 1-2 (Normal)
JPME2	Manufacture Mode Select	Pins 1-2 (Normal)
JUSB1	USB Wake Up Enable	Pins 1-2 (Enabled)
JWD1	Watch Dog Enable	Pins 1-2 (Reset)

Connectors	
Connector	Description
Battery	Onboard Battery
COM1/COM2	COM1/COM2 Port Headers
Fan1 - Fan4, FanA	System/CPU Fan Headers (Fan1: CPU Fan)
JF1	Front Control Panel Header
JL1	Chassis Intrusion Header
JLED1	Power LED Indicator Header
JP1 <sup>2</sup> C1	Power SMB (System Management Bus)
JPW1	24-pin ATX Main Power Connector (Required)
JPW2	+12V 8-pin CPU power Connector (Required)
JSD1	SATA DOM (Device_On_Module) Power Connector
JSTBY1	Standby Power Header
JTPM1	Trusted Platform Module/Port 80 Connector
LAN1/LAN2	Gigabit (RJ45) Ports (LAN1/2)
IPMI_LAN	Dedicated IPMI LAN
SPKR1	Internal Speaker/Buzzer
I-SATA0/I-SATA1	(Intel PCH) Serial ATA (SATA 3.0) Ports 0/1 (6Gb/sec)
I-SATA2 - I-SATA5	(Intel PCH) Serial ATA (SATA 2.0) Ports 2~5 (3Gb/sec)
(PCH) Slot 7	PCI-Express 2.0 x4 in x8 Slot
(CPU) Slot 6	PCI-Express 3.0 x16 Slot
Slot 1 - Slot 5	PCI 33MHz Slots (5V)
SW1	UID (Unit Identifier) Switch
T-SGPIO 1/2	Serial Link General Purpose I/O Connection Headers 1/2
USB0	USB 3.0 Type A Header
USB1	Front Accessible USB 3.0 Header
USB2/3, USB4/5	Back panel USB 2.0 Ports
USB8/9	Front Panel Accessible USB 2.0 Headers
VGA	Back panel VGA Port

LED Indicators			
LED	Description	Color/State	Status
LE3	Onboard Standby Power LED	Green: Solid on	Power On
LE4	UID LED	Blue: On	Unit Identified
LE5 (X10SLA-F Only)	BMC Heartbeat LED	Green: Blinking	BMC Normal

**Memory Support**

The X10SLA(-F) supports up to 32GB of DDR3 Unbuffered (UDIMM) ECC 1600/1333 MHz in four memory slots.

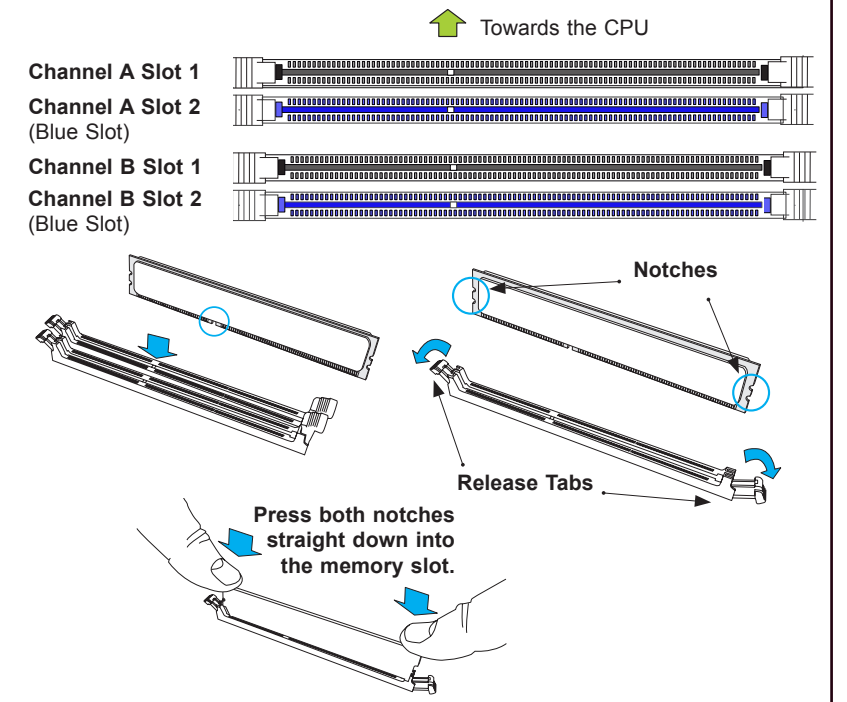
**DIMM Memory Installation**

**Memory Population Guidelines**

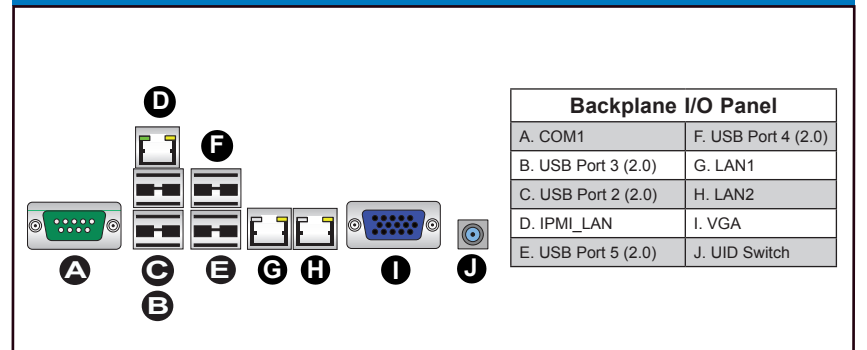
Please follow the table below when populating the X10SLA(-F).

DDR3 Unbuffered ECC (UDIMM) Memory				
DIMM Slots per Channel	DIMMs Populated per Channel	DIMM Type	POR Speeds	Ranks per DIMM (any combination)
2	1	Unbuffered DDR3	1333, 1600	Single Rank, Dual Rank
2	2	Unbuffered DDR3	1333, 1600	Single Rank, Dual Rank

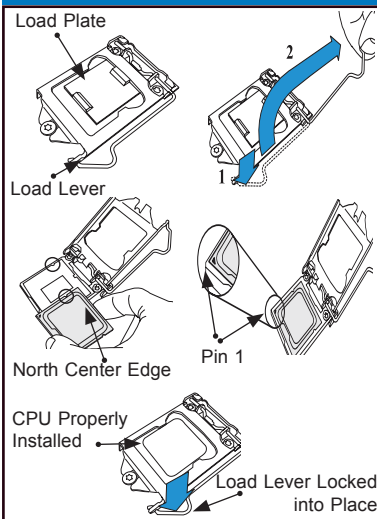
Insert the desired number of DIMMs into the memory slots, starting with DIMMA1 (Channel A, Slot 1). For the system to work properly, please use the memory modules of the same type and speed in the same motherboard.



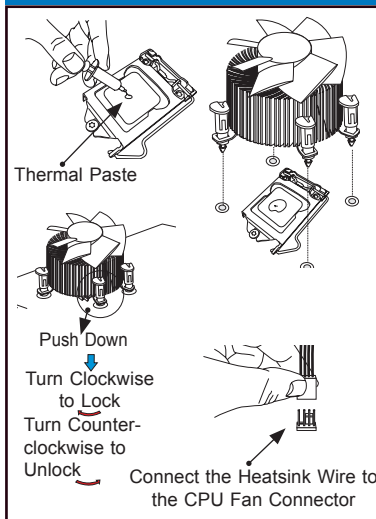
**Back Panel I/O Connectors**



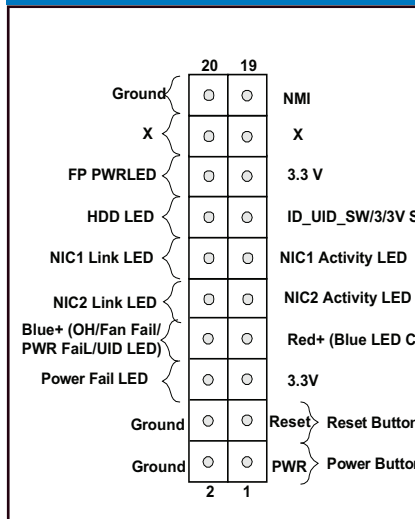
**CPU Installation**



**Heatsink Installation**



**Front Control Panel (JF1)**



Note: Graphics shown in this quick reference guide are for illustration only. Your components may or may not look exactly the same as drawings shown in this guide.

Note: Refer to Chapter 1 of the User Manual for detailed information on jumpers, connectors, and LED indicators.

Note: Refer to Chapter 2 of the User Manual for detailed information on memory support and CPU/motherboard installation instructions.