

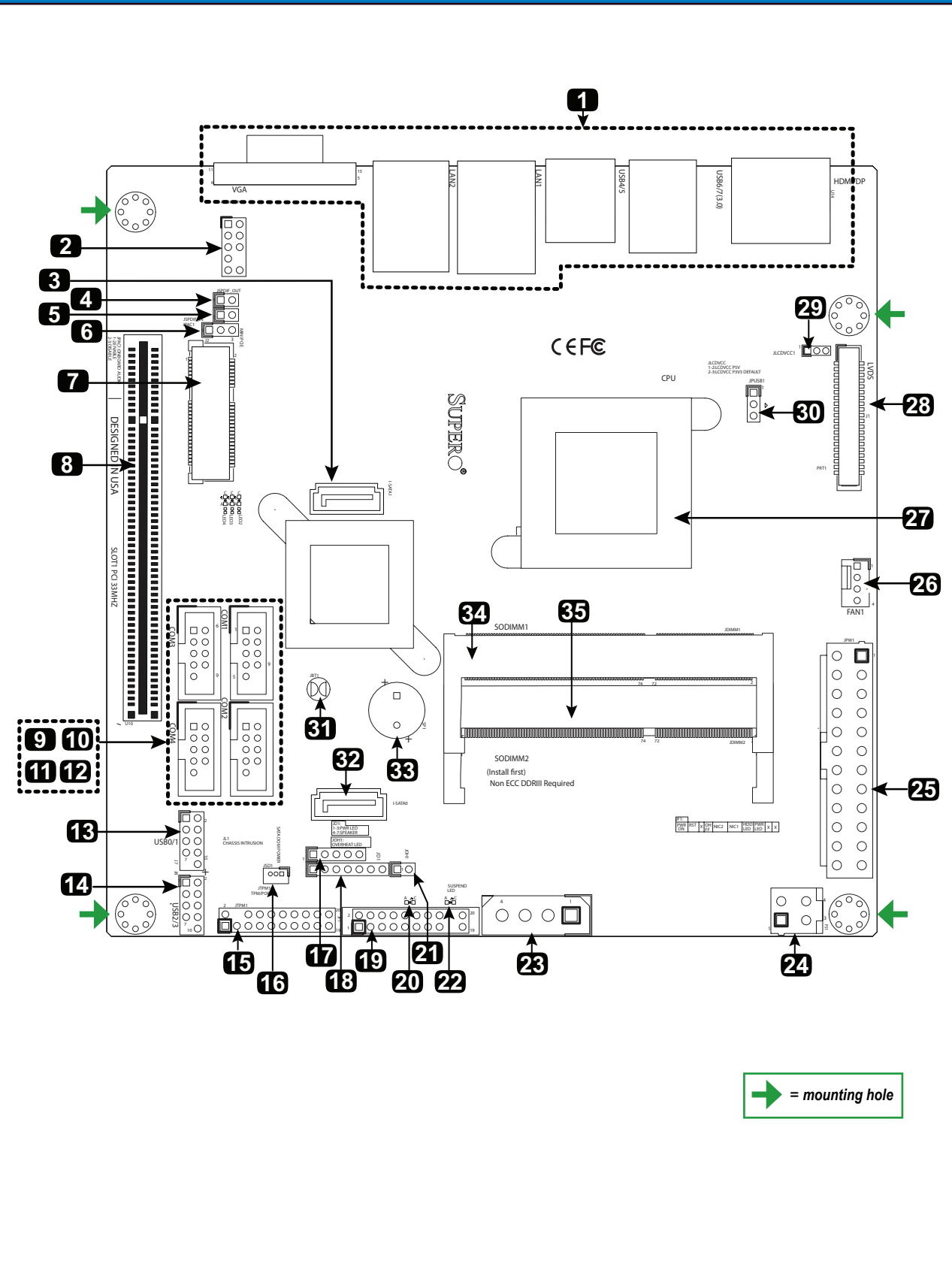
CONTACT INFORMATION

- www.supermicro.com (Email: support@supermicro.com)
- Manuals: <http://www.supermicro.com/support/manuals>
- Drivers & Utilities: <ftp://ftp.supermicro.com>
- Safety: http://www.supermicro.com/about/policies/safety_information.cfm

PACKAGE CONTENTS (Applies to individual-pack only)

- One (1) Supermicro Motherboard
- Two (2) SATA Cables
- One (1) I/O Shield
- One (1) Quick Reference Guide

Motherboard Layout and Features



Jumpers, Connectors and LED Indicators

Jumpers

Item #	Jumper	Description	Default
6	JPAC1	Audio Enable/Disable	1-2 (Enabled), 2-3 (Disabled)
29	JLCDVCC1	Voltage Select for LVDS Port	1-2 (P5V), 2-3 (P3V3)
30	JPUSB1	USB Wake Up Enable/Disable on S3/S4/S5	1-2 (Enabled), 2-3 (Disabled)
31	JBT1	CMOS Reset	Short contact pads to reset CMOS

Connectors

Item #	Connector	Description
1	Back Panel I/O	See "Back Panel IO Connectors", below right
2	AUDIO FP	Front Panel Audio Header
4	SP/DIF OUT	SP/DIF Digital Audio Header (Output)
5	SP/DIF IN	SP/DIF Digital Audio Header (Input)
7	Mini PCIE*	Mini PCI-E Expansion Slot
8	SLOT1	PCI-33MHz Expansion Slot
9,10,11,12	COM3*,1,4*,2	Internal Headers for COM1~4
13	USB 0/1	Internal Header for USB 0/1
14	USB 2/3*	Internal Header for USB 2/3
15	JTPM1	TPM Header
16	JSD1	Disk-On-Module (DOM) Power Header
17	JP5	Reserved for GPIO Programming
18	JD1	External Speaker Header
19	JF1	Front Panel Controls Header
21	JOH1	Overheat Warning LED Header
23	J3	Auxiliary Power Output Header for Internal Devices
24	JPW2**	4-Pin 12VDC Power Input (from Power Supply)
25	JPW1**	24-Pin ATX Power Input (from Power Supply)
26	FAN1	CPU Fan Power/Control Header
27	CPU	Intel Atom N2800 Series Processor
28	LVDS	LVDS Port for VGA (Optional HDMI/Dual Display)
3,32	SATA1,SATA0	Internal SATA Ports
33	BATT	System Backup Battery
34,35	SODIMM1,SODIMM2	SODIMM Memory Slots

* for X9SCAA only

** Either JPW1 or JPW2 may be used as the main power input, but it is recommended that only one is actually connected to the power supply at a time.

LED Indicators

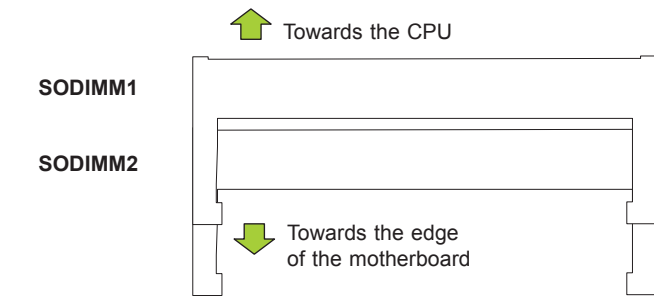
Item #	LED	Description	Color/State	Status
20	PWR	Power LED	Green/Solid	Power is On
22	Suspend	Suspend LED	Green/Blinking	System in Suspend Mode

Memory Support

Each memory slot supports up to 2GB of DDR3 Non-ECC SODIMMs at 1066MHz, for a total of 4GB maximum installed memory.

Note: For memory optimization, use only SODIMM modules that have been validated by Supermicro. For the latest memory updates, please refer to our website at <http://www.supermicro.com/products/motherboard>.

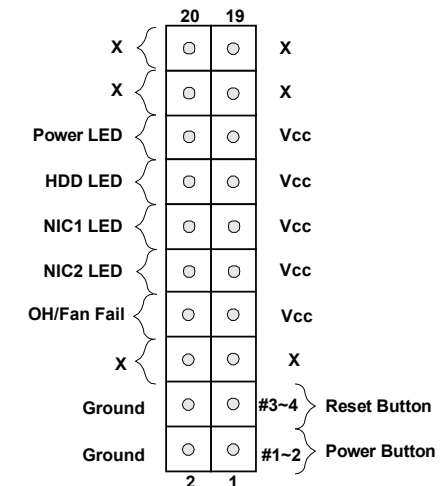
DIMM Installation



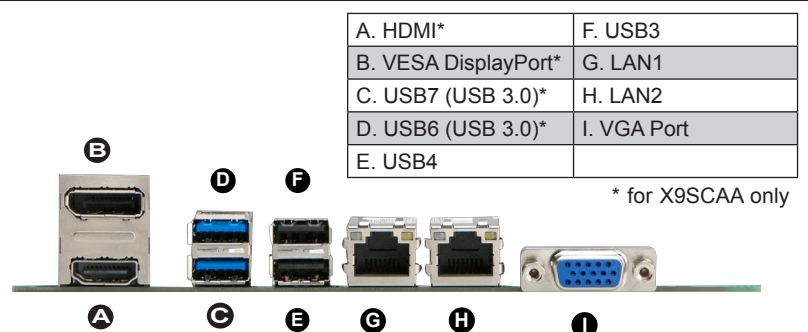
Memory Population Guidelines

When installing memory modules, the DIMM slots should be populated in the following order: SODIMM2, SODIMM1

Front Panel Control (JF1)



Back Panel IO Connectors



Note: Graphics shown in this quick reference guide are for illustration only. Your components may or may not look exactly the same as drawings shown in this guide.

Note: Refer to Chapter 2 of the User Manual for detailed information on jumpers, connectors, and LED indicators.

Note: Refer to Chapter 2 of the User Manual for detailed information on memory support and CPU/motherboard installation instructions.