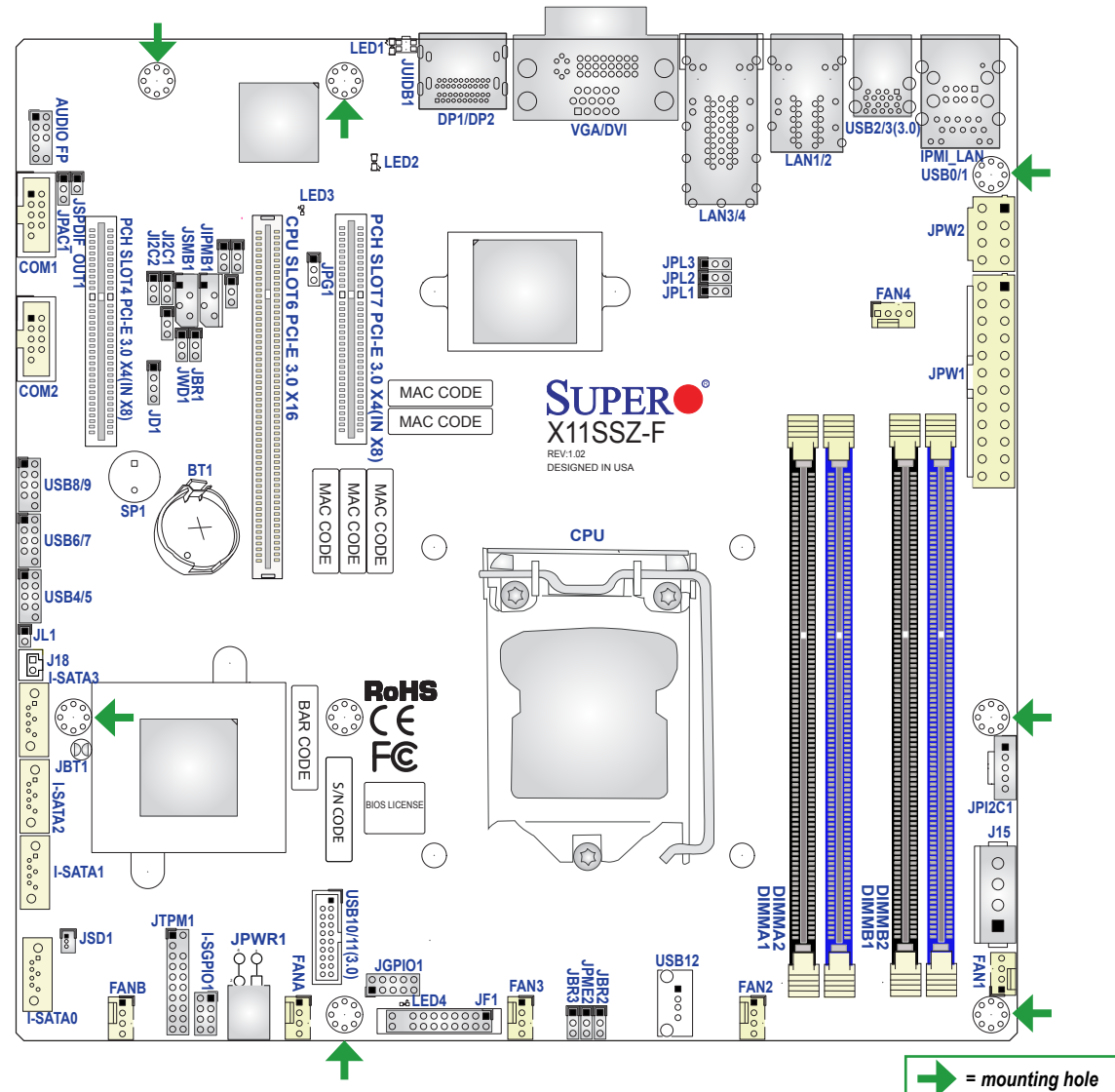




**Motherboard Layout and Features**



**Connectors and LED Indicators**

Connectors	
Connector	Description
AUDIO FP	Audio Front Panel Header
BT1	Onboard battery
COM1, COM2	COM Headers
DP1, DP2	DisplayPorts
FAN1 ~ FAN4	CPU/System Fan Connectors
FAN A, FAN B	I/O Fan Connectors
IPMI_LAN	Dedicated IPMI LAN Port
I-SGPIO1	Serial Link General Purpose I/O Header
J15	4-pin HDD Power Connector
J18	Extended CMOS Battery Connector
JD1	Speaker/Buzzer (Pins 1-4: Speaker, Pins 3-4: Buzzer)
JF1	Front Control Panel Header
JGPIO1	General Purpose I/O Header
JIPMB1	4-pin External BMC I2C Header
JL1	Chassis Intrusion Header
JIP2C1	Power I2C System Management Bus (Power SMB) Header
JPW1	24-pin Main Power Connector
JPW2	8-pin 12V DC Power Connector for CPU (Required) or alternative single power for special enclosure when the 24-pin ATX power is not in use
JPWR1	4-pin 12V Power Connector for GPU card requiring extra 12V power up to 75W
JSD1	SATA Disk On Module (DOM) Power Connector
JSMB1	PCH SMBus Header
JSPDIF_OUT1	Sony/Phillips Digital Interface Audio Output Header
JTPM1	Trusted Platform Module (TPM) Header
JUIDB1	UID Switch
LAN1 ~ LAN4	RJ45 LAN Ports (LAN3/4 10GbE Ports - TLN4F Only)
I-SATA0 ~ I-SATA3	SATA 3.0 Connectors via Intel® PCH (6Gb/s)
SLOT4/SLOT7	PCI-Express 3.0 X4 (IN X8) Slot supported by Intel PCH
SLOT6	PCI-Express 3.0 X16 Slot supported by the CPU
SP1	Internal Buzzer
USB0/1	Back panel USB 2.0 Ports
USB2/3	Back panel USB 3.0 Ports
USB4/5, 6/7, 8/9	Front Access USB 2.0 Headers
USB10/11	Front Access USB 3.0 Header
USB12	USB Type A Header
VGA/DVI	VGA Port, DVI Port

LED Indicators			
LED	Description	Color/State	Status
LED1	Unit ID LED	Blue: Solid On	Unit Identified
LED2	Overheat/PWR Fail/Fan Fail LED	Red: Solid On Red: Blinking	Overheat PWR Fail or Fan Fail
LED3	BMC Heartbeat LED	Green: Blinking	BMC Normal
LED4	Power On LED	Green: Solid On	System is On/Running

**Jumpers**

Jumpers		
Jumper	Description	Default
JBT1	CMOS Clear	Open: Normal Short: Clear CMOS
J12C1, J12C2	SMB to PCI-E Slots	Pins 2-3 (Disable)
JPAC1	Front Panel Audio Enable	Pins 1-2 (Enable)
JPG1	Onboard VGA Enable	Pins 1-2 (Enable)
JPL1, JPL2	LAN1/2 Enable/Disable	Pins 1-2 (Enable)
JPL3	LAN3/4 Enable/Disable	Pins 1-2 (Enable)
JPME2	ME Manufacturing Mode	Pins 1-2 (Normal)
JWD1	Watch Dog	Pins 1-2 (Reset)

**CPU Support**

The X11SSZ-F/TLN4F motherboards support an Intel Xeon E3-1200 v5/v6 or 7th/6th Generation Core i7/i5/i3, Pentium, Celeron processor in an LGA1151 socket.

The X11SSZ-QF motherboard supports an Intel 7th/6th Generation Core i7/i5/i3, Pentium, Celeron processor in an LGA1151 socket.

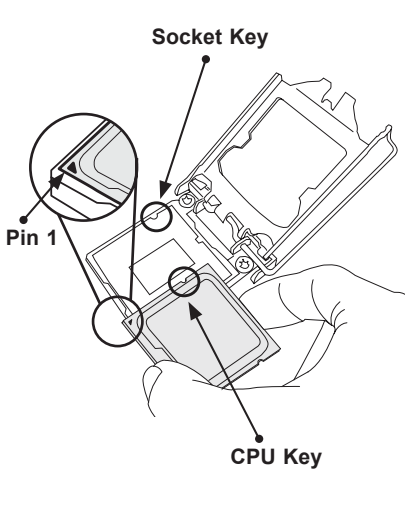
**Memory Support**

The X11SSZ-F/TLN4F motherboards support up to 64GB of DDR4 ECC/Non-ECC UDIMM in four slots.

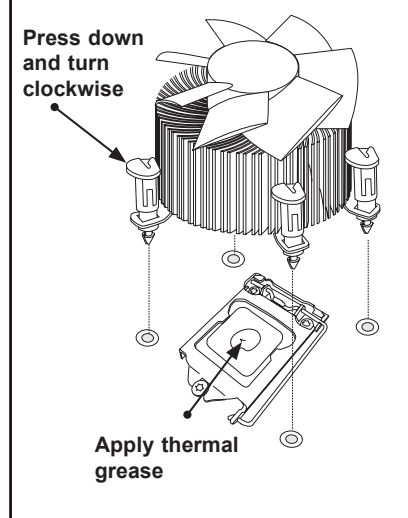
The X11SSZ-QF motherboard supports up to 64GB of DDR4 Non-ECC UDIMM in four slots.

Insert the desired number of DIMMs into the memory slots, starting with DIMMA2, DIMMB2, then DIMMA1, DIMMB1. Populating these DIMM slots with a pair of memory modules of the same type and size will result in interleaved memory, which will improve memory performance.

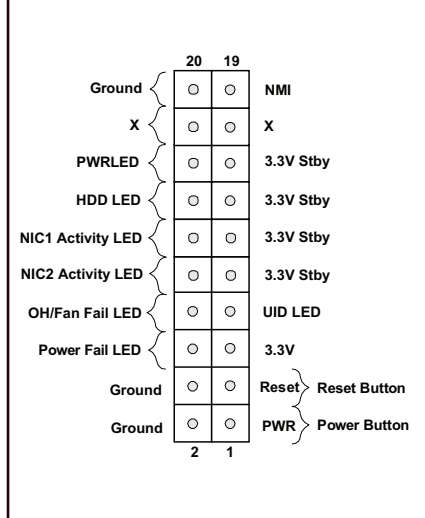
**CPU Installation**



**Heatsink Installation**



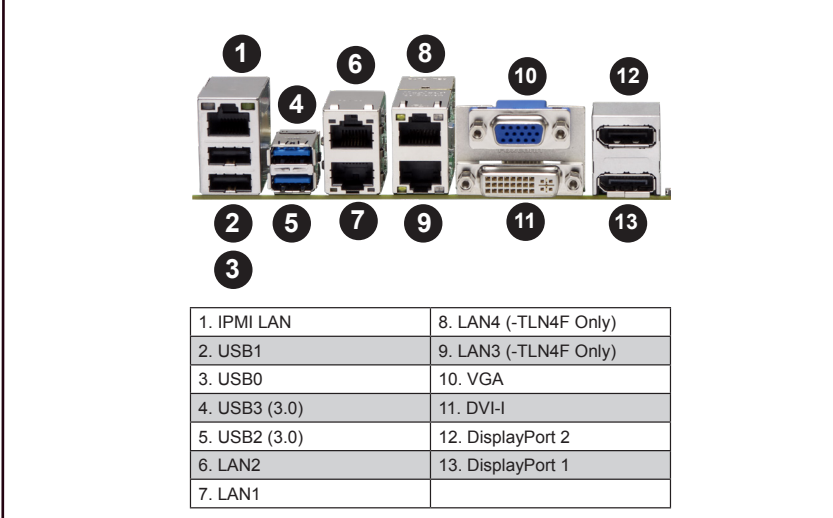
**Front Control Panel (JF1)**



**Note:** Graphics shown in this quick reference guide are for illustration only. Your components may or may not look exactly the same as drawings shown in this guide.

**Note:** Refer to Chapter 1 of the User Manual for detailed information on jumpers, connectors, and LED indicators.

**Back Panel I/O Connectors**



**Note:** Refer to Chapter 2 of the User Manual for detailed information on memory support and CPU/motherboard installation instructions.