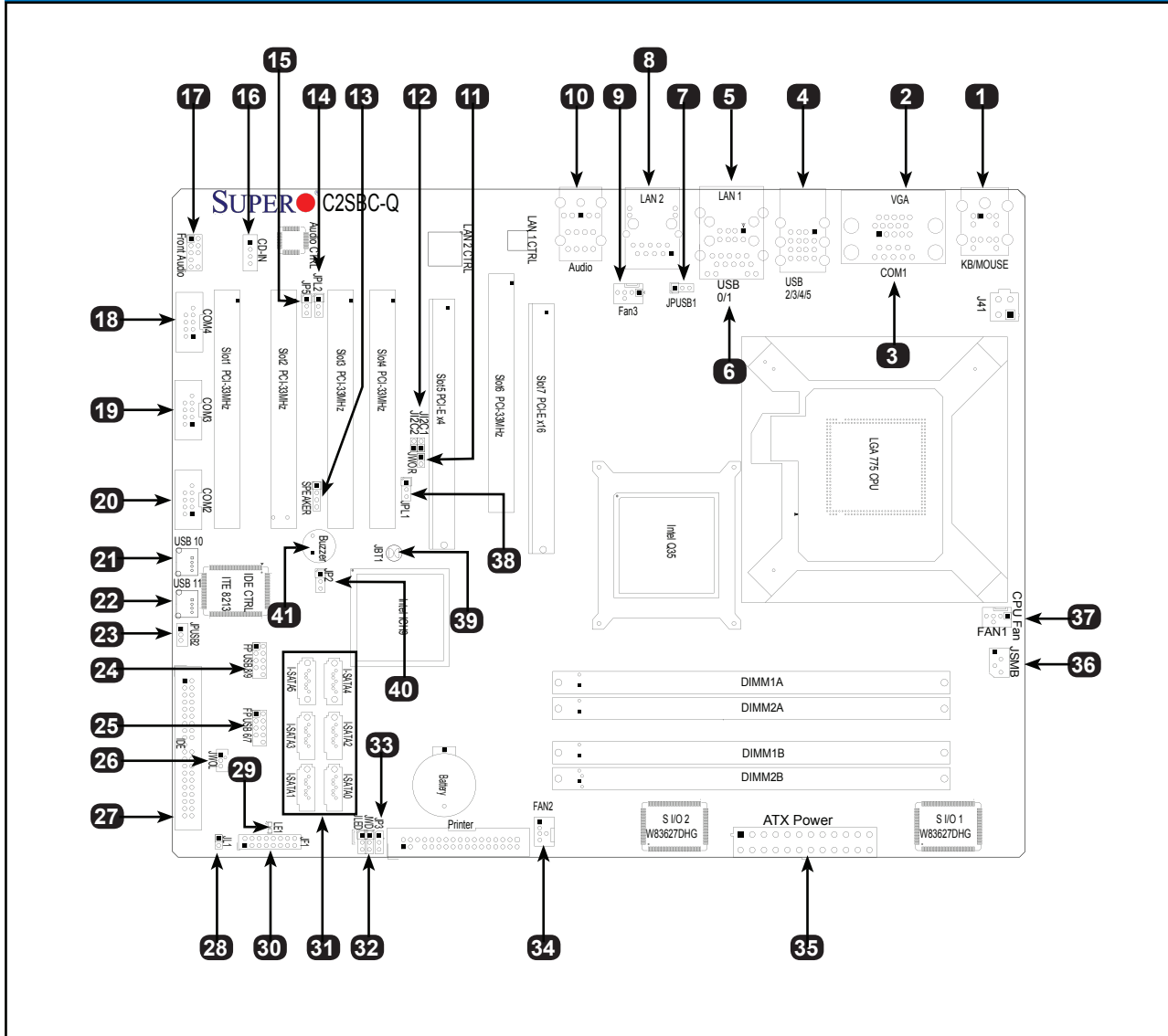


Motherboard Layout and Features



Jumpers, Connectors and LED Indicators

Jumpers

Item #	Jumper	Description	Default
7, 23	JPUSB1/JPUSB2	USB 0-5 Enable/USB 6-11 Enable	Pins 1-2 (Enabled)
12	J1PC1/J1PC2	SMB to PCI Slots	Open/Open (Disabled)
14, 38	JPL2/JPL1	Gigabit LAN 1/LAN 2 Enable	Pins 1-2 (Enabled)
15	JP5	Audio Enabled	Pins 1-2 (Enabled)
32	JWD	Watch Dog Timer Out	Pins 1-2 (Reset)
33	JP3	TPM (See Page 4-21 in User Manual)	Leave at Disabled
39	JBT1	CMOS Clear	See Chapter 2 in User Manual
40	JP2	IDE Enabled	Pins 1-2 (Enabled)

Connectors

Item #	Connector	Description
1	KB/Mouse	PS/2 Keyboard and Mouse
2	VGA	Video Graphics Connector
3	COM 1	COM Port 1
4	USB 2-5	(Back Panel) Universal Serial Ports
5, 8	LAN1/LAN2	Ethernet RJ45 (Gigabit LAN) Connectors
6	USB 0-1	(Back Panel) Universal Serial Ports
9, 34, 37	Fan3, Fan2, Fan1	Fan 1: CPU Fan, Fan 2/3: Chassis Fan Headers
10	J46	Audio Port
11	JWOR	Wake-on-Ring Header
13	J9	Speaker Header
16	CD1 (CD-In)	Audio CD Input Header
17	J12 (Front Audio)	Front Panel Audio Connector
18, 19, 20	COM 4/3/2	Serial Port Headers
21, 22	USB 10-11	Front Accessible USB Ports
24, 25	USB 8/9, USB 6/7	(Front Panel) USB Headers
26	JWOL	Wake-on-LAN Header
27	IDE	IDE # 1 Connector
28	JL1	Chassis Intrusion Header
30	JF1	FP Control Panel Header
31	SATA 0-5	SATA Headers
35	ATX PWR/J41	ATX 24-Pin Power /12V 4-Pin Power Connectors
36	JSMB	System Management Bus (SMB) Header
41	SPKR1	Internal Buzzer

LED Indicators

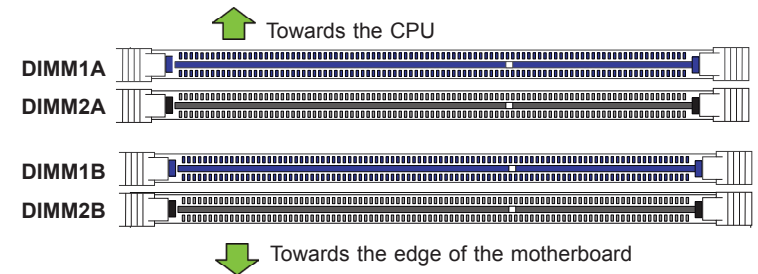
Item #	LED	Description	Color/State	Status
29	LE1	Onboard Stby PWR LED	Green: Solid on	Power On

Memory Support

This motherboard supports up to 8 GB of Unbuffered (UDIMM) DDR2 Non-ECC 800/677 MHz memory in 4 memory slots.

Note: For memory optimization, use only DIMM modules that have been validated by Supermicro. For the latest memory updates, please refer to our website at <http://www.supermicro.com/products/motherboard>.

DIMM Installation



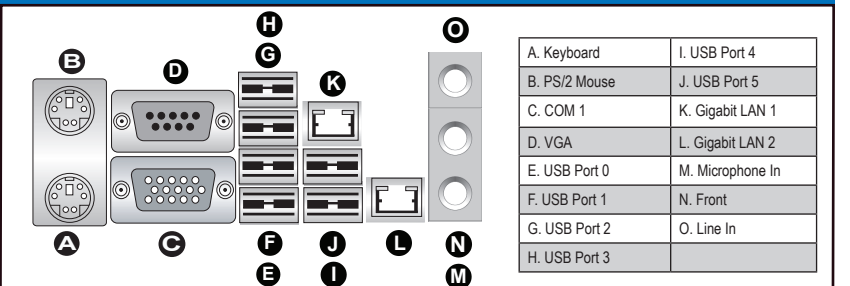
Possible System Memory Allocation & Availability

System Device	Size	Physical Memory Remaining (-Available) (4 GB Total System Memory)
Firmware Hub flash memory (System BIOS)	1 MB	3.99
Local APIC	4 KB	3.99
Area Reserved for the chipset	2 MB	3.99
I/O APIC (4 Kbytes)	4 KB	3.99
PCI Enumeration Area 1	256 MB	3.76
PCI Express (256 MB)	256 MB	3.51
PCI Enumeration Area 2 (if needed) -Aligned on 256-MB boundary-	512 MB	3.01
VGA Memory	16 MB	2.85
TSEG	1 MB	2.84
Memory available to OS and other applications		2.84

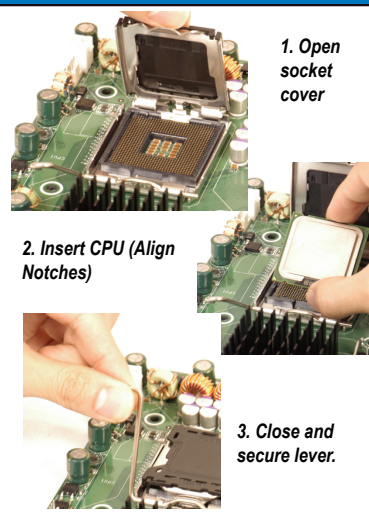
Notes:

- Due to the OS limitations, some operating systems may not show more than 4GB of memory.
- Both Unbuffered ECC and Non-ECC memory modules can be installed in the memory slots. However, the functionality of ECC is not supported by the chipset.

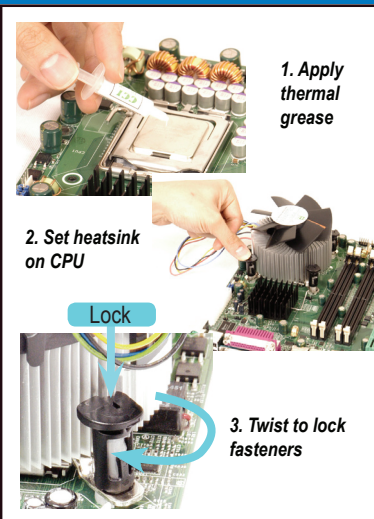
Back Panel IO Connectors



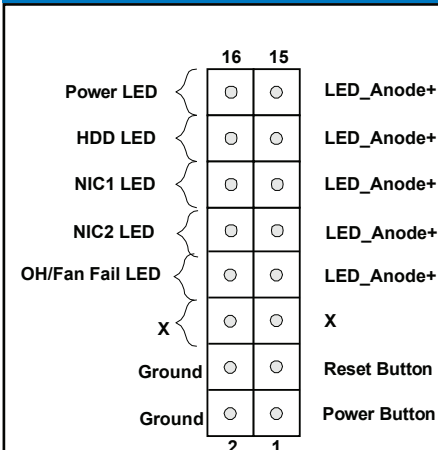
CPU Installation



Heatsink Installation



Front Panel Control (JF1)



Note: Graphics shown in this quick reference guide are for illustration only. Your components may or may not look exactly the same as drawings shown in this guide.

Note: Refer to Chapter 2 of the User Manual for detailed information on jumpers, connectors, and LED indicators.

Note: Refer to Chapter 2 of the User Manual for detailed information on memory support and CPU/motherboard installation instructions.