

CONTACT INFORMATION

- Website: www.supermicro.com
- General Information: marketing@supermicro.com
- Technical Support: support@supermicro.com
- Phone: +1 (408) 503-8000, Fax: +1 (408) 503-8008

FOR YOUR SYSTEM TO WORK PROPERLY, PLEASE DOWNLOAD APPROPRIATE

- DRIVERS/IMAGES/USER'S MANUAL FROM THE LINKS BELOW:**
- Manuals: <http://www.supermicro.com/support/manuals>
 - Drivers & Utilities: <https://www.supermicro.com/wdl/driver/>
 - Safety: http://www.supermicro.com/about/policies/safety_information.cfm

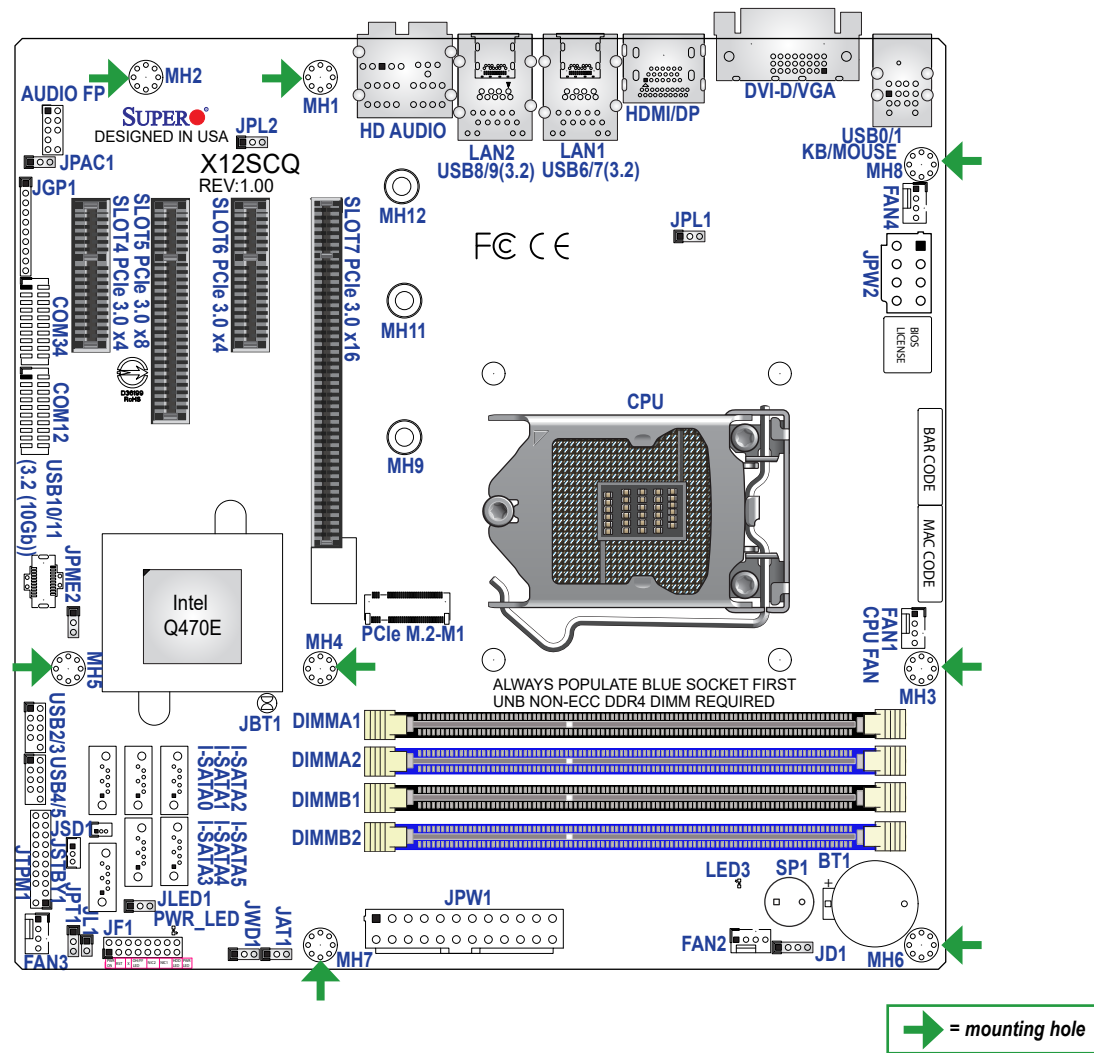
PACKAGE CONTENTS

- One Supermicro Motherboard
- One Quick Reference Guide
- One I/O Shield
- Six SATA Cables



WARNING: This product can expose you to chemicals including lead, known to the State of California to cause cancer and birth defects or other reproductive harm. For more information, go to www.P65Warnings.ca.gov.

Motherboard Layout and Features



Jumpers and Connectors

Jumpers		
Jumper	Description	Default Setting
JAT1	ATX/AT Mode	Pins 1-2 (ATX Mode)
JBT1	CMOS Clear	Open (Normal)
JPAC1	Audio Enable/Disable	Pins 1-2 (Enabled)
JPL1, JPL2	LAN1/LAN2 Enable/Disable	Pins 1-2 (Enabled)
JPME2	Manufacturing Mode	Pins 1-2 (Normal)
JPT1	Onboard TPM Enable/Disable	Pins 1-2 (Enabled)
JWD1	Watch Dog Timer	Pins 1-2 (Reset)

Connectors	
Connector	Description
AUDIO FP	Front Panel Audio Header
BT1	Onboard Battery
COM12	COM1 and COM2 Headers
COM34	COM3 and COM4 Headers
DVI-D	Digital Video Interface Port
FAN1 - FAN4	CPU/System Fan Headers (FAN1: CPU Fan)
HD AUDIO	Rear Audio Ports
HDMI/DP	High Definition Multimedia Interface/DisplayPort
I-SATA0 - I-SATA5	SATA 3.0 Ports
JD1	Speaker/Buzzer (Pins 1-4: Speaker, Pins 3-4: Buzzer)
JF1	Front Control Panel Header
JGP1	General Purpose I/O Header
JL1	Chassis Intrusion Header
JLED1	3-pin Power LED Indicator Header
JPW1	24-pin ATX Power Connector (Required)
JPW2	8-pin CPU Power Connector (Required)
JSD1	SATA DOM Power Connector
JSTBY1	Standby Power Header
JTPM1	Trusted Platform Module (TPM)/Port 80 Connector
KB/MOUSE	Keyboard and Mouse Connector
LAN1, LAN2	Gigabit Ethernet RJ45 Port
M.2	M.2 PCIe 3.0 x4 Slot (Supports M-Key 2242, 2280, and 22110)
MH9, MH11, MH12	M.2 Mounting Holes
SLOT4	PCH PCIe 3.0 x4 Slot
SLOT5	CPU PCIe 3.0 x8 Slot (Lanes shared from SLOT7)
SLOT6	PCH PCIe 3.0 x4 Slot
SLOT7	CPU PCIe 3.0 x16 Slot

Connectors and LED Indicators

Connectors	
Connector	Description
USB0/1	Back Panel USB 2.0 Ports
USB2/3, USB4/5	Front Accessible USB 2.0 Headers
USB6/7, USB8/9	Back Panel USB 3.2 Ports
USB10/11	Front Accessible USB 3.2 Type-A Headers
VGA	VGA Port

LED Indicators		
LED	Description	Status
LED3	Standby Power LED	Solid Green: Standby Power On
PWR_LED	Onboard Power LED	Solid Green: Power On

CPU Support

The X12SCQ motherboard supports an Intel® 10th Gen Core i9/i7/i5/i3, Pentium, Celeron processor with up to 10 cores in an LGA1200 socket.

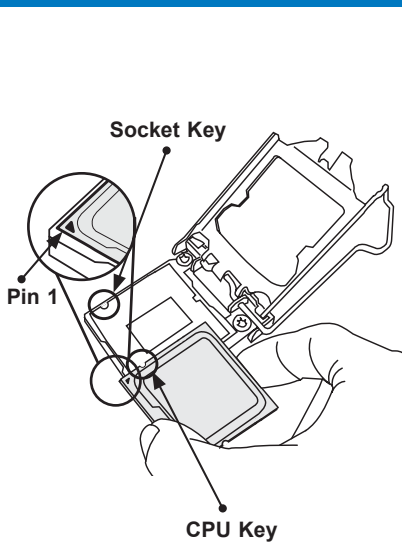
Note: The X12SCQ does not support the Intel 10th/11th generation processor 2M cache SKUs. These processors will not boot with the latest BIOS version.

Memory Support

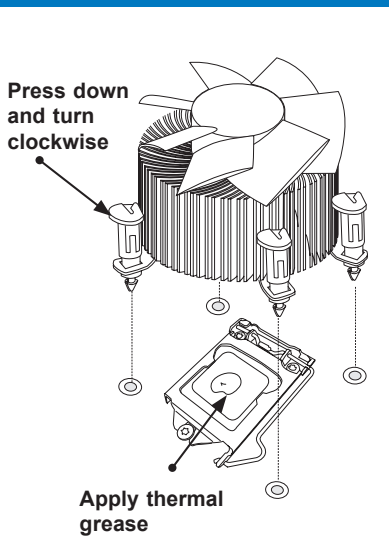
The X12SCQ motherboard supports up to 128GB of DDR4 Non-ECC UDIMM in four slots. Insert the desired number of DIMMs, starting with DIMMA2, DIMMB2, then DIMMA1, DIMMB1.

For optimal performance, use memory modules of the same type and speed.

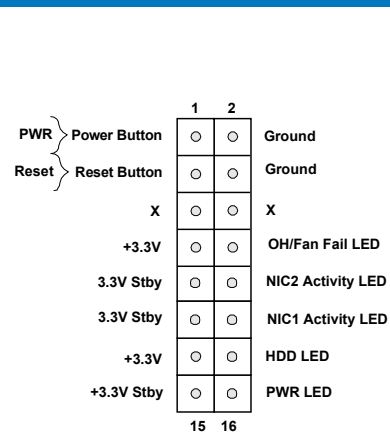
CPU Installation



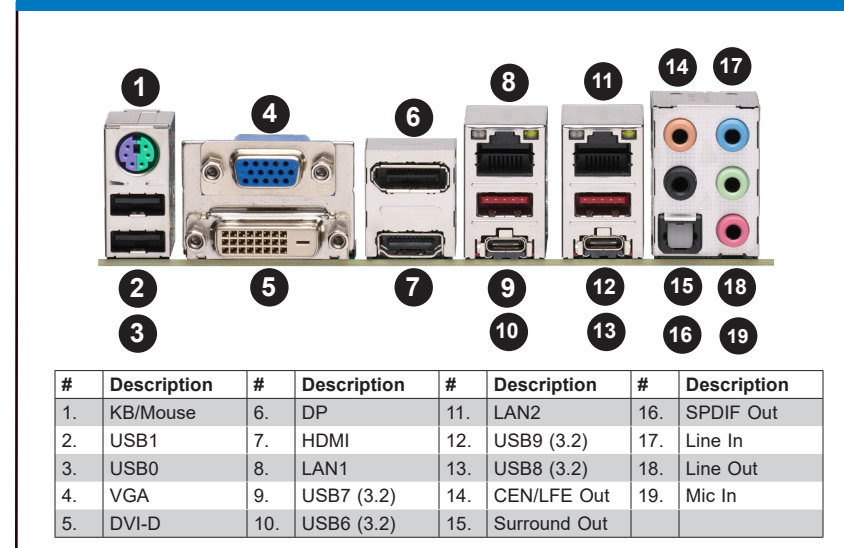
Heatsink Installation



Front Control Panel



Back Panel I/O Connectors



Note: Graphics shown in this quick reference guide are for illustration only. Your components may or may not look exactly the same as drawings shown in this guide.

Note: Refer to Chapter 2 of the User Manual for detailed information on jumpers, connectors, and LED indicators.

Note: Refer to Chapter 2 of the User Manual for detailed information on memory support and CPU/motherboard installation instructions.