

CONTACT INFORMATION

- Website: www.supermicro.com
- General Information: marketing@supermicro.com
- Technical Support: support@supermicro.com
- Phone: +1 (408) 503-8000, Fax: +1 (408) 503-8008

FOR YOUR SYSTEM TO WORK PROPERLY, PLEASE DOWNLOAD APPROPRIATE DRIVERS/IMAGES/USER'S MANUAL FROM THE LINKS BELOW:

- Manuals: <http://www.supermicro.com/support/manuals>
- Drivers & Utilities: <https://www.supermicro.com/wd/driver/>
- Safety: http://www.supermicro.com/about/policies/safety_information.cfm

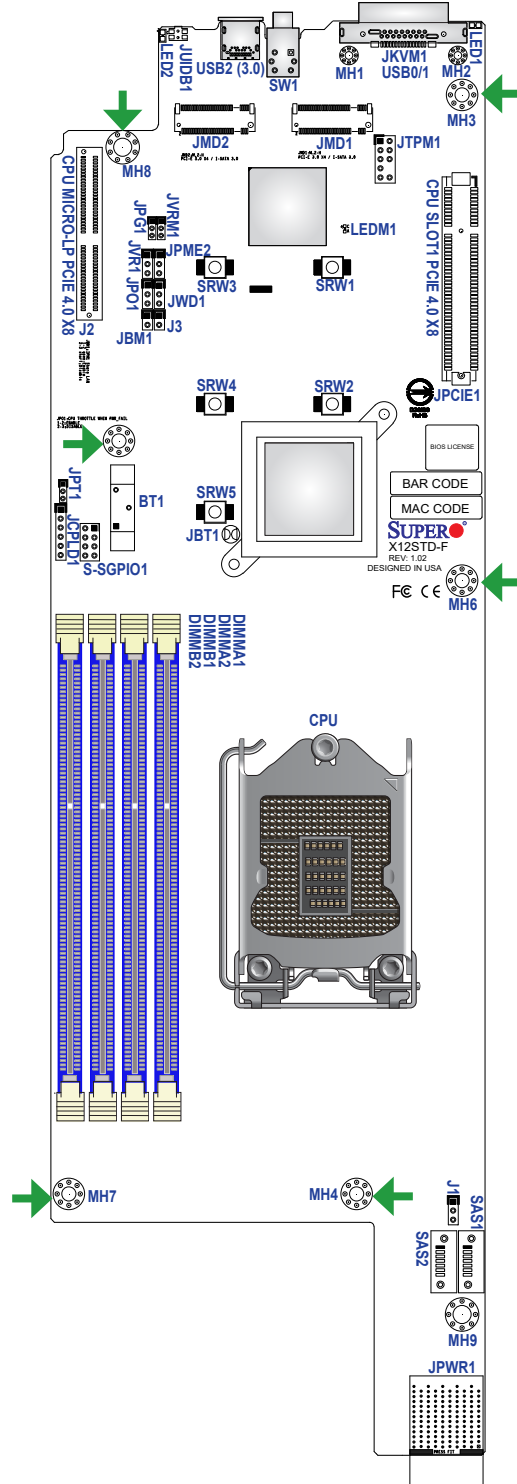
PACKAGE CONTENTS

- One Supermicro Motherboard
- One Quick Reference Guide



WARNING: This product can expose you to chemicals including lead, known to the State of California to cause cancer and birth defects or other reproductive harm. For more information, go to www.P65Warnings.ca.gov.

Motherboard Layout and Features



Note: Graphics shown in this quick reference guide are for illustration only. Your components may or may not look exactly the same as drawings shown in this guide.

Jumpers, Connectors, and LED Indicators

Jumpers		
Jumper	Description	Default Setting
J1	SATA/SAS Select	Pins 1-2: Onboard SATA Pins 2-3: AOC SAS
JBM1	Disable IPMI Share LAN	Pins 1-1 (Enabled)
JBT1	CMOS Clear	Open (Normal)
JPG1	VGA Enable/Disable	Pins 1-2 (Enabled)
JPME2	Manufacturing Mode	Pins 1-2 (Normal)
JPO1	CPU Throttle When PWR_Fail	Pins 2-3 (Disabled)
JPT1	Onboard TPM Enable/Disable	Pins 2-3 (Disabled)
JWD1	Watch Dog	Pins 1-2 (Reset)

Connectors	
Connector	Description
BT1	Onboard Battery
J2	CPU MICRO-LP PCIe 4.0 x8 Slot
J3	RESET Button (Debug Only)
JKVM1	KVM Connector
JMD1	M.2 Slot (PCIe 3.0 x4/I-SATA 3.0)
JMD2	M.2 Slot (PCIe 3.0 x4/I-SATA 3.0)
JPCIE1	CPU PCIe 4.0 x8 Slot
JPWR1	Power Connector
JTPM1	Trusted Platform Module/Port 80 Connector
JVR1	VRM SMBus to Header
JUIDB1	UID Button
SAS1, SAS2	SAS Ports
SRW1 - SRW5	M.2 Mounting Holes
S-SGPIO1	Serial Link General Purpose I/O Header
SW1	Power Switch, Power LED
USB0/1	USB 2.0 Ports
USB2	USB 3.2 Type-C Port

LED Indicators		
LED	Description	Status
LED1	Unit Identifier LED	Solid Blue: Unit Identified
LED2	OH/Power Fail/FAN Fail	Blinking Red: Power Fail or FAN Fail Solid Red: Overheat
LEDM1	BMC Heartbeat LED	Blinking Green: BMC Normal

CPU Support

The X12STD-F motherboard supports an Intel Xeon E-2300 Family processor and Pentium processor with up to 95W in an LGA1200 socket.

Note: Refer to Chapter 1 of the User Manual for detailed information on jumpers, connectors, and LED indicators.

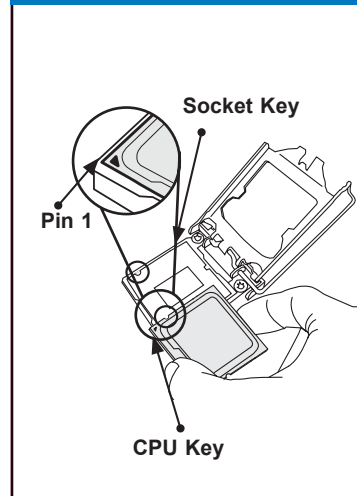
Memory Support

The X12STD-F motherboard supports up to 128GB of ECC and Non-ECC UDIMM DDR4 memory with speeds of up to 3200MHz in four memory slots.

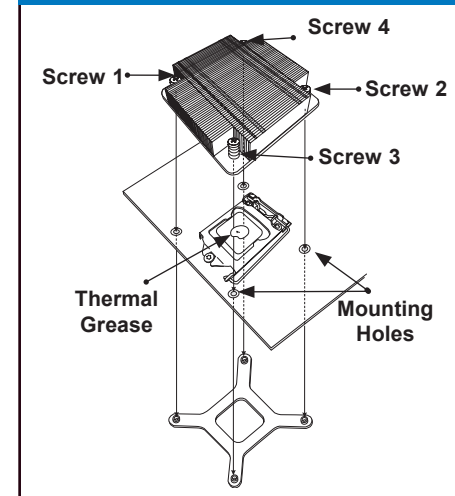
DIMM Memory Installation

Recommended Population (Balanced)				
DIMMA1	DIMMB1	DIMMA2	DIMMB2	Total System Memory
		4GB	4GB	8GB
4GB	4GB	4GB	4GB	16GB
		8GB	8GB	16GB
		16GB	16GB	32GB
		32GB	32GB	64GB
		64GB	64GB	128GB

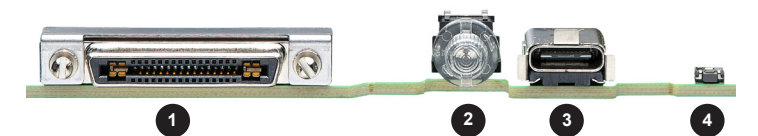
CPU Installation



Heatsink Installation



Back Panel I/O Connectors



#	Description	#	Description
1.	KVM	3.	USB Type C
2.	Power Switch	4.	UID Button

Note: Refer to Chapter 2 of the User Manual for detailed information on memory support and CPU/motherboard installation instructions.