

CONTACT INFORMATION

- Website: www.supermicro.com
- General Information: marketing@supermicro.com
- Technical Support: support@supermicro.com
- Phone: +1 (408) 503-8000, Fax: +1 (408) 503-8008

FOR YOUR SYSTEM TO WORK PROPERLY, PLEASE DOWNLOAD APPROPRIATE

- DRIVERS/IMAGES/USER'S MANUAL FROM THE LINKS BELOW:**
- Manuals: <http://www.supermicro.com/support/manuals>
 - Drivers & Utilities: <https://www.supermicro.com/wftp/driver/>
 - Safety: http://www.supermicro.com/about/policies/safety_information.cfm

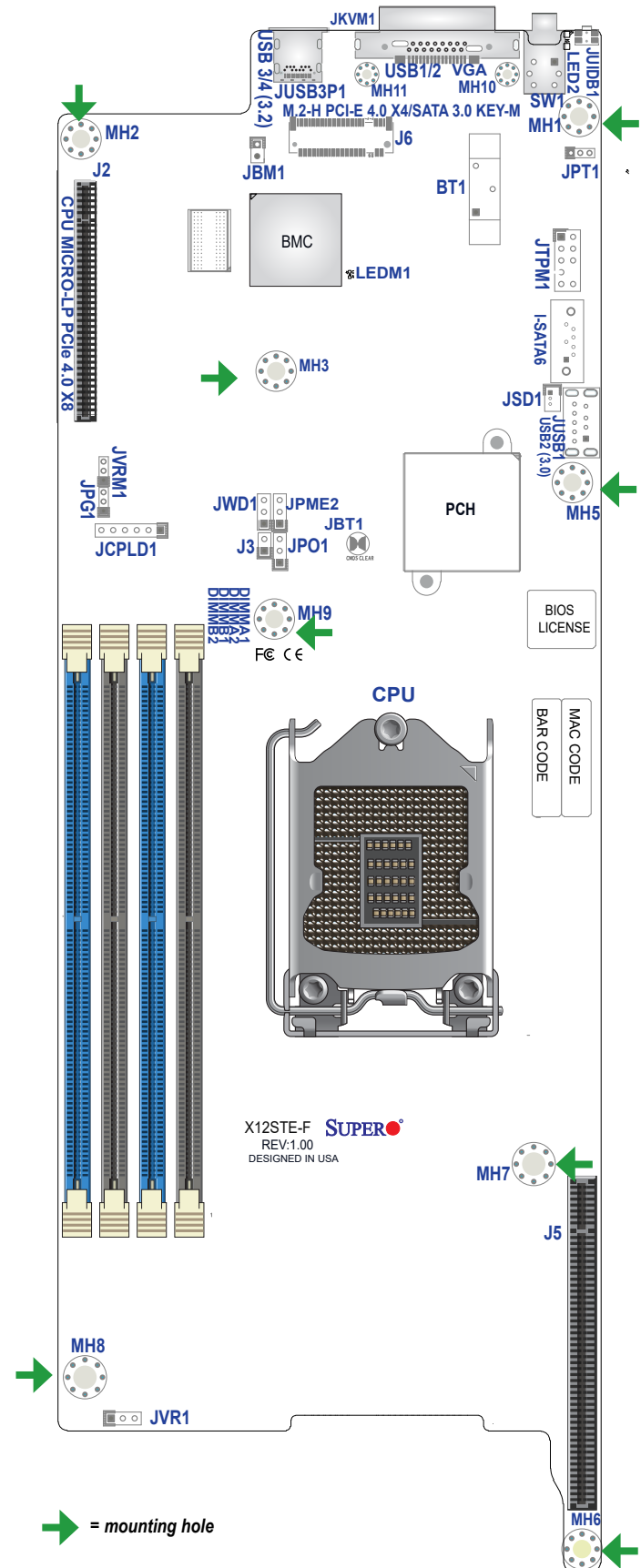
PACKAGE CONTENTS

- One Supermicro Motherboard
- One Quick Reference Guide



WARNING: This product can expose you to chemicals including lead, known to the State of California to cause cancer and birth defects or other reproductive harm. For more information, go to www.P65Warnings.ca.gov.

Motherboard Layout and Features



→ = mounting hole

X12STE-F SUPER
 REV:1.00
 DESIGNED IN USA

Jumpers, Connectors, and LED Indicators

Jumpers		
Jumper	Description	Default Setting
JBM1	IPMI Share LAN Enable/Disable	Pins 1-2 Open (Enabled)
JBT1	CMOS Clear	Open (Normal)
JPME2	Manufacturing Mode	Pins 1-2 (Normal)
JPO1	CPU Throttle When PWR_Fail	Pins 2-3 (Disabled)
JPT1	Onboard TPM 2.0 Enable/Disable	Pins 1-2 (Enabled)
JVRM1	VRM SMB Clock (to BMC or PCH)	Pins 1-2 (BMC Normal)
JWD1	Watchdog Timer	Pins 1-2 (Reset)

Connectors	
Connector	Description
BT1	Onboard Battery
I-SATA6	SATA 3.0 Port
J2	MicroLP PCIe 4.0 x8 Slot for AOM-BPN-MC12SN
J5	PCIe 4.0 x8 Slot
J6	M.2 PCIe 4.0 x4/SATA 3.0 Key-M (2280/22110)
JKVM1	VGA/COM1/USB Connector on the I/O Backplane
JSD1	SATA DOM Power Connector
JTPM1	Trusted Platform Module/Port 80 Connector
JUIDB1	UID Switch
JVR1	VRM I2C SMBus to Header
SW1	Power Button
USB1/2 (JKVM1)	Back Panel USB 2.0 Ports via JKVM1
USB3/4 (JUSB3P1)	Back Panel USB 3.2 Type C Connector
USB5 (JUSB1)	USB 3.0 Type A (Debug only)
VGA	VGA Port via JKVM1

LED Indicators		
LED	Description	Status
LED2	Unit Identifier LED	Solid Blue: Unit Identified
LEDM1	BMC Heartbeat LED	Blinking Green: BMC Normal

CPU Support

The X12STE-F motherboard supports the Intel® Xeon E-2300 Family and Pentium series processor in an LGA1200 socket.

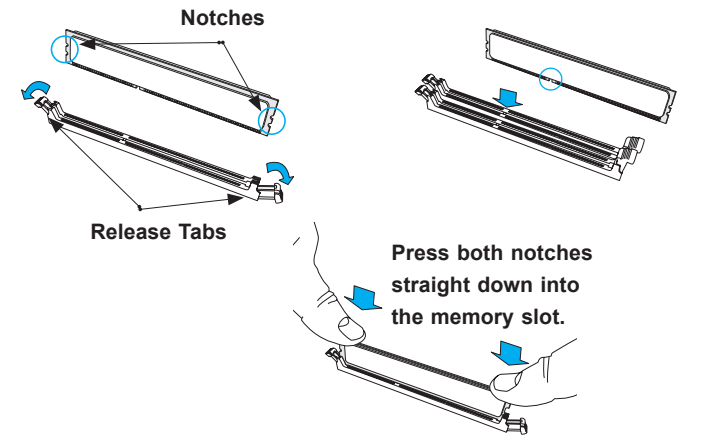
Note: Refer to Chapter 1 of the User Manual for detailed information on jumpers, connectors, and LED indicators.

Memory Support

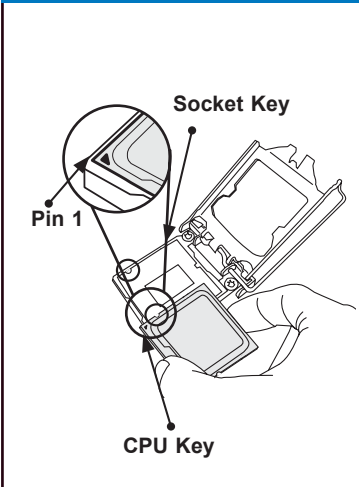
The X12STE-F motherboard supports up to 128GB of DDR4 ECC and Non-ECC VLP UDIMM with speeds of up to 3200MHz in four memory slots.

DIMM Memory Installation				
Recommended Population (Balanced)				
DIMMA1	DIMMB1	DIMMA2	DIMMB2	Total System Memory
		4GB	4GB	8GB
4GB	4GB	4GB	4GB	16GB
		8GB	8GB	16GB
8GB	8GB	8GB	8GB	32GB
		16GB	16GB	32GB
16GB	16GB	16GB	16GB	64GB
		32GB	32GB	64GB
32GB	32GB	32GB	32GB	128GB
		64GB	64GB	128GB

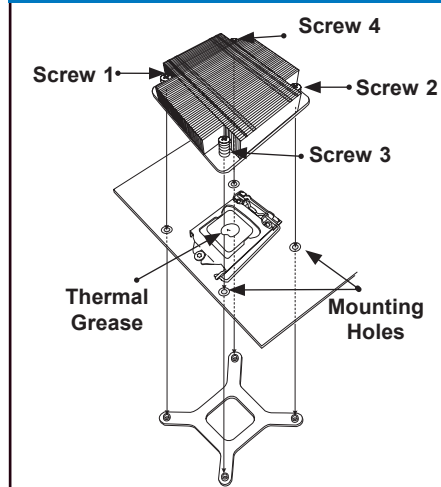
1. Insert DIMM modules in the following order: DIMMA2, DIMMB2, then DIMMA1, DIMMB1. For the system to work properly, use memory modules of the same type and speed.



CPU Installation



Heatsink Installation



Note: Refer to Chapter 2 of the User Manual for detailed information on memory support and CPU/motherboard installation instructions.

Note: Graphics shown in this quick reference guide are for illustration only. Your components may or may not look exactly the same as drawings shown in this guide.