

CONTACT INFORMATION

- Website: www.supermicro.com
- General Information: marketing@supermicro.com
- Technical Support: support@supermicro.com
- Phone: +1 (408) 503-8000, Fax: +1 (408) 503-8008

FOR YOUR SYSTEM TO WORK PROPERLY, PLEASE DOWNLOAD APPROPRIATE

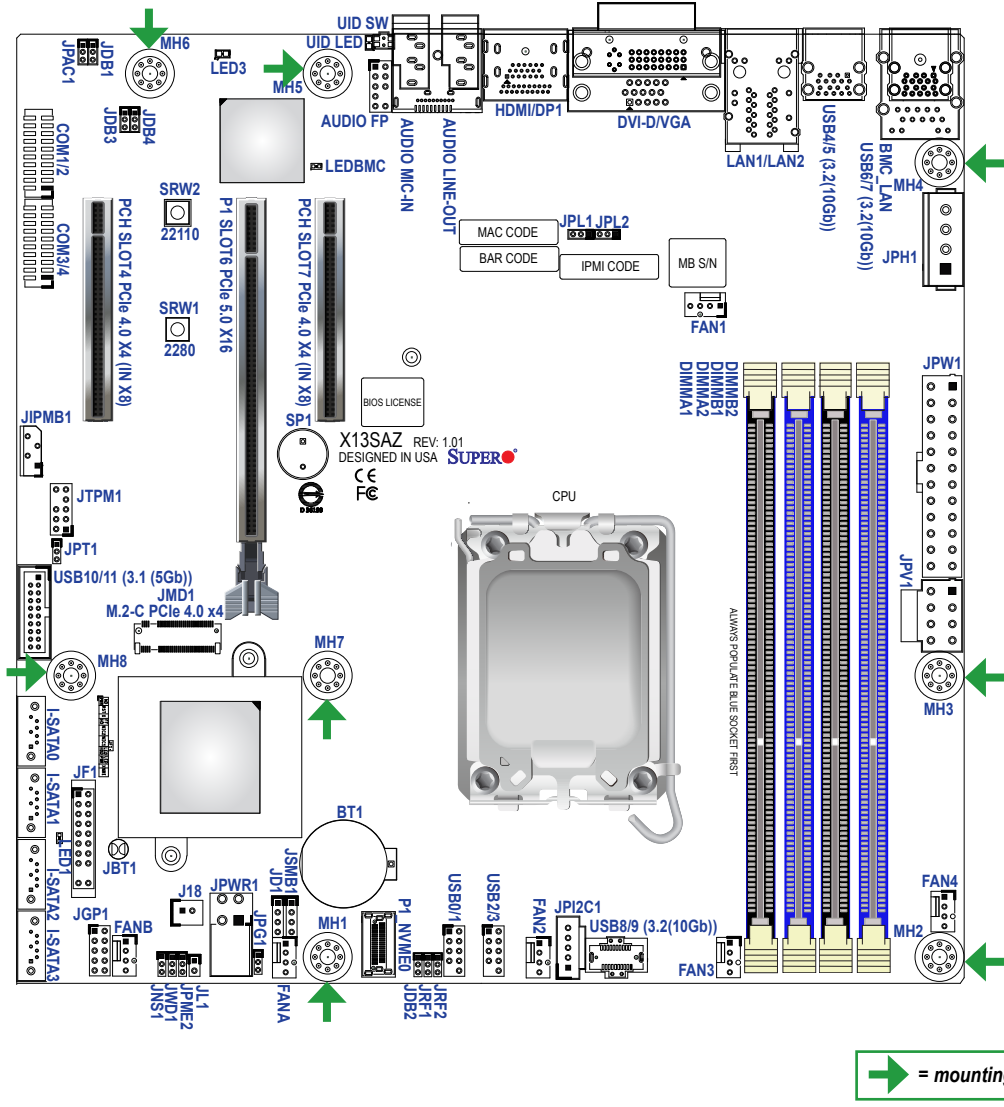
- DRIVERS/IMAGES/USER'S MANUAL FROM THE LINKS BELOW:**
- Manuals: <http://www.supermicro.com/support/manuals>
 - Drivers & Utilities: <https://www.supermicro.com/wdl/driver/>
 - Safety: http://www.supermicro.com/about/policies/safety_information.cfm

PACKAGE CONTENTS

- One Supermicro Motherboard
- One Quick Reference Guide
- Four SATA Cables
- One I/O Shield



Motherboard Layout and Features



Jumpers and Connectors

Jumpers		
Jumper	Description	Default Setting (*)
JBT1	CMOS Clear	Open (Normal)
JPAC1	Audio Enable	Pins 1-2 (Enabled)
JPG1	VGA Enable/Disable	Pins 1-2 (Enabled)
JPL1	LAN1 Enable/Disable	Pins 1-2 (Enabled)
JPL2	LAN2 Enable/Disable	Pins 1-2 (Enabled)
JPME2	ME Manufacturing Mode	Pins 1-2 (Normal)
JPT1	Onboard TPM Enable/Disable	Pins 1-2 (Enabled)
JRF1, JRF2	Slot6 PCIe Bifurcation	JRF1: Pins 1-2 JRF2: Pins 1-2 PEG: Pins 1-2 x16* x8x8
JWD1	Watchdog Timer	Pins 1-2 (Reset)

Connectors

Connector	Description
AUDIO FP	Audio Front Panel Connector
AUDIO LINE-OUT	Back panel Audio Line Out Port
AUDIO MIC-IN	Back panel Audio Mic In Port
BT1	Extended CMOS Battery
BMC_LAN	Dedicated BMC LAN Port
COM1/2, COM3/4	COM Headers (COM1/2 support RS-232/422/485, COM3/4 support RS-232)
DVI-D/VGA	Digital Visual Interface/VGA Port (VGA via the BMC)
FAN1 - FAN4, FANA, FANB	Fan Headers
HDMI/DP1	High Definition Multimedia Interface and DisplayPort
I-SATA0-3	SATA 3.0 Ports
J18	Extended CMOS Battery Connector
JD1	Speaker Header (Pins 1-4: Speaker, Pins 3-4: Buzzer)
JF1	Front Control Panel Header
JGP1	General Purpose I/O Header
JIPMB1	4-pin BMC External I ² C Header (for an IPMI card)
JL1	Chassis Intrusion
JMD1	M.2 M-Key PCIe 4.0 x4 Slot (2280/22110 form factor)
JPH1	4-pin HDD Power Connector
JPI2C1	Power System Management Bus (SMB) I ² C Header
JPV1	8-pin 12V DC Power Connector for CPU (Required) or alternative single power input for when the 24-pin ATX power is not in use
JPW1	24-pin ATX Power Connector
JPWR1	4-pin 12V Power Source
JSMB1	System Management Bus Header
JTPM1	Trusted Platform Module/Port 80 Connector
LAN1, LAN2	LAN Ports
MH1-MH8	Mounting Holes
P1_NVME0	OCulink (NVMe/PCIe x4 support)
SLOT4, SLOT7	PCIe 4.0 x4 (IN x8) Slots

Connectors and LED Indicators

Connectors		
Connector	Description	
SLOT6	PCIe 5.0 x16 Slot	
SP1	Internal Buzzer/Speaker	
UID SW	Unit Identifier Switch	
USB0/1, USB2/3	Front Accessible USB 2.0 Headers	
USB4/5, USB6/7	Back Panel USB 3.2 (10 Gb) Ports	
USB8/9	Front Accessible USB 3.2 (10 Gb) Header	
USB10/11	Front Accessible USB 3.1 (5 Gb) Header	

LED Indicators		
LED	Description	Status
LED1	Power LED	Solid Green: Power On
LED3	BMC Power/Fan LED	Solid Red: PWR Fail or FAN Fail
LEDBMC	BMC Heartbeat LED	Blinking Green: BMC Normal
UID LED	Unit Identifier (UID) LED	Solid Blue: Unit Identified

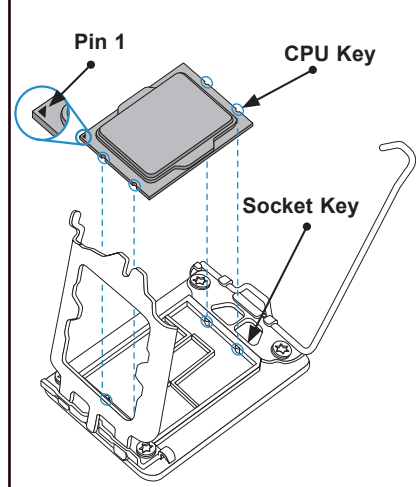
CPU Support

The X13SAZ-F/Q supports an Intel® 12th/13th/14th Generation Core i3/i5/i7/i9, Pentium, and Celeron series processor with a TDP of up to 125 W in an LGA1700 socket.

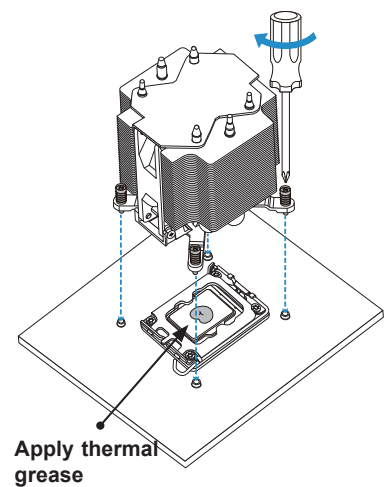
Memory Support

The X13SAZ-F supports up to 128 GB of DDR5 ECC/Non-ECC UDIMM with speeds of up to 4000 MT/s in four memory slots.
 The X13SAZ-Q supports up to 128 GB of DDR5 Non-ECC UDIMM with speeds of up to 4000 MT/s in four memory slots.

CPU Installation



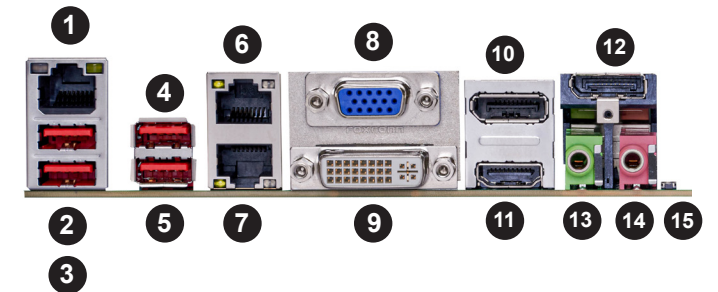
Heatsink Installation



Front Control Panel

	1	2	
PWR Power Button	○	○	Ground
Reset Reset Button	○	○	Ground
3.3 V	○	○	X
3.3 V	○	○	OH/Fan Fail LED
3.3 V Stby	○	○	NIC2 Link LED
3.3 V Stby	○	○	NIC1 Link LED
3.3 V	○	○	HDD LED
3.3 V Stby	○	○	PWR LED
X	○	○	X
NMI	○	○	Ground
	19	20	

Back Panel I/O Connectors



#	Description	#	Description	#	Description
1.	BMC LAN (F SKU)	6.	LAN2	11.	HDMI 2.0b
2.	USB7 (3.2)	7.	LAN1	12.	DisplayPort++2
3.	USB6 (3.2)	8.	VGA (F SKU)	13.	LINE_OUT
4.	USB5 (3.2)	9.	DVI-D	14.	MIC_IN
5.	USB4 (3.2)	10.	DisplayPort++1	15.	UID Switch

Note: Graphics shown in this quick reference guide are for illustration only. Your components may or may not look exactly the same as drawings shown in this guide.

Note: Refer to Chapter 2 of the User Manual for detailed information on jumpers, connectors, and LED indicators.

Note: Refer to Chapter 2 of the User Manual for detailed information on memory support and CPU/motherboard installation instructions.