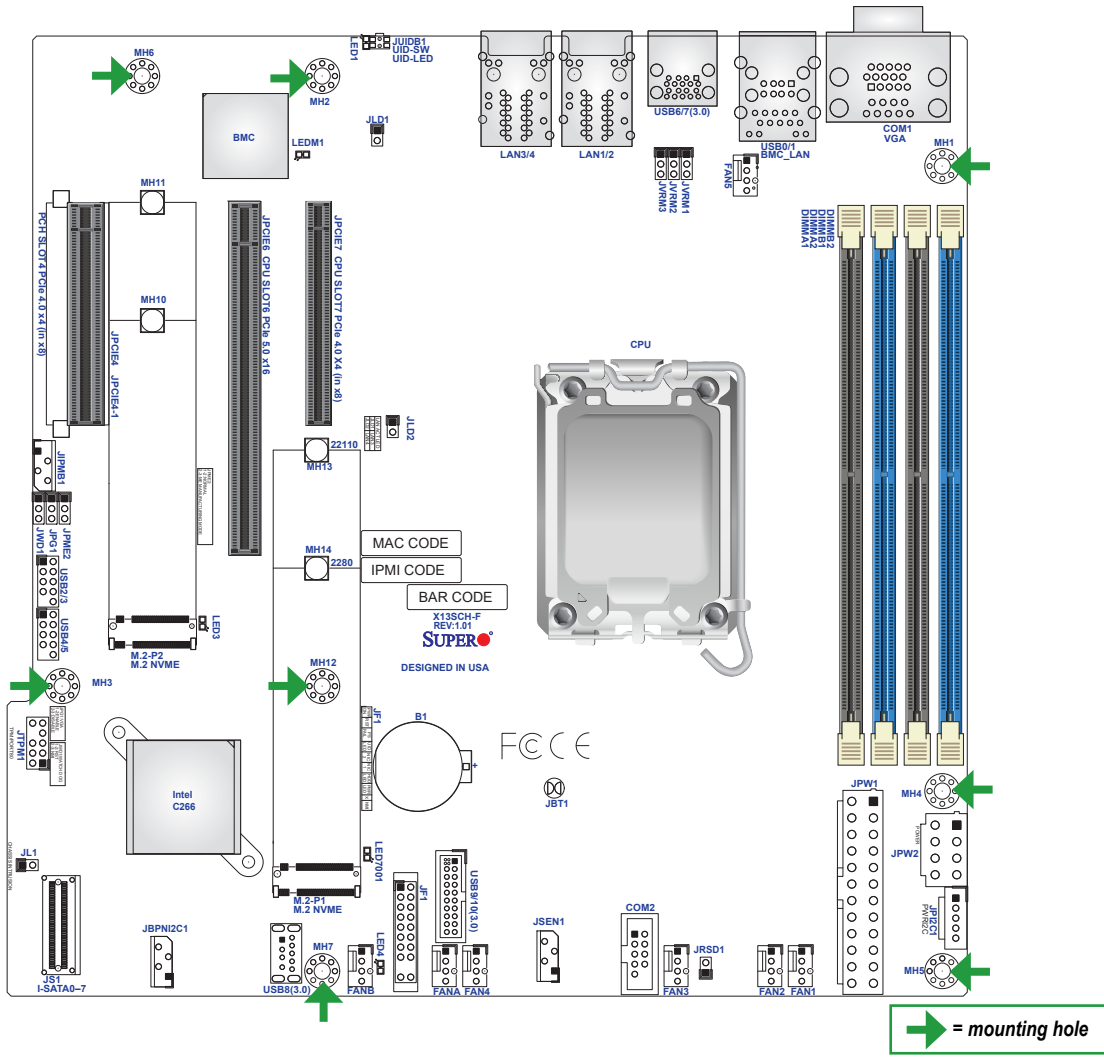


Motherboard Layout and Features



Jumpers and Connectors

Jumpers		
Jumper	Description	Default Setting
JBT1	CMOS Clear	Open (Normal)
JPG1	VGA Enable/Disable	Pins 1-2 (Enabled)
JPME2	ME Manufacturing Mode	Pins 1-2 (Normal)
JWD1	Watchdog Timer	Pins 1-2 (Reset)

Connectors	
Connector	Description
BMC_LAN	Dedicated BMC LAN Port
B1	Onboard Battery
COM1	COM Port
COM2	COM Header
FAN1-FAN5	CPU/System Fan Headers (FAN1: CPU Fan)
JBPNI ² C1	4-pin BMC External I ² C Header
JF1	Front Control Panel Header
JIPMB1	4-pin BMC External I ² C Header (for an IPMI card)
JL1	Chassis Intrusion Header
JLD1	LAN3 Link Activity LED Header (X13SCH-LN4F only)
JLD2	LAN4 Link Activity LED Header (X13SCH-LN4F only)
JPCIE4	PCH SLOT4 PCIe 4.0 x4 (in x8) Slot
JPCIE6	CPU SLOT6 PCIe 5.0 x16 Slot
JPCIE7	CPU SLOT7 PCIe 4.0 x4 (in x8) Slot
JPI ² C1	Power I ² C System Management Bus (Power SMB) Header
JPW1	24-pin ATX Power Connector
JPW2	8-pin CPU Power Connector
JS1	Intel [®] PCH SATA 3.0 Ports (with RAID 0, 1, 5, 10 support)
JSEN1	Inlet Sensor Header
JTPM1	Trusted Platform Module (TPM)/Port 80 Connector
JUIDB1	UID Button
LAN1-LAN4	1GbE LAN Ports X13SCH-F only: LAN1-LAN2 X13SCH-LN4F only: LAN1-LAN4
M.2-P1	M.2 PCIe 4.0 x4 Slots from PCH (Supports M-Key 2280 and 22110)
M.2 NVME, M.2-P2	M.2 NVME
M.2 NVME	M.2 NVME
MH1-MH7, MH12	Mounting Holes
MH10-MH11, MH13-MH14	M.2 Mounting Holes
USB0/1	Back Panel USB 2.0 Ports
USB2/3, USB4/5	Front Accessible USB 2.0 Headers
USB6/7	Back Panel USB 3.2 Gen 1 Ports

Connectors and LED Indicators

Connectors	
Connector	Description
USB8	Front Accessible USB 3.2 Gen 1 Type-A Header
USB9/10	Front Accessible USB 3.2 Gen 1 Header
VGA	VGA Port

LED Indicators		
LED	Description	Status
LED1	Unit Identifier (UID) LED	Solid Blue: Unit Identified
LED3	PCIe M.2-P2 Activity LED	Blinking Green: M.2-P2 Active
LED4	Power LED	LED On: Onboard Power On
LED7001	PCIe M.2-P1 Activity LED	Blinking Green: M.2-P1 Active
LEDM1	BMC Heartbeat LED	Blinking Green: Device Working

CPU Support

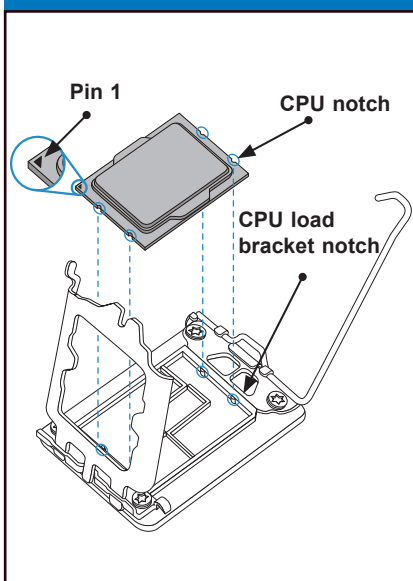
The X13SCH-F/LN4F motherboard supports an Intel[®] Xeon[®] 6300-series/E-2400 or 12th Generation Pentium (Socket V0 - LGA 1700) processor with up to eight cores.

Memory Support

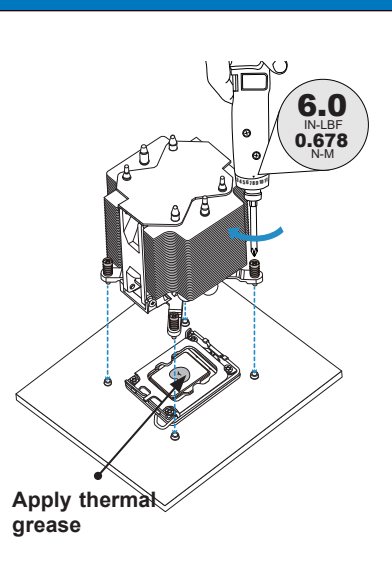
The X13SCH-F motherboard supports up to 128 GB of DDR5 ECC UDIMM memory with speeds of up to 4400 MT/s in four memory slots. Note that this motherboard supports up to 4400 MT/s with the one DIMM per channel and up to 4000 MT/s with the two DIMM per channel population configuration.

1 CPU, 4 DIMM Slots	
Number of DIMMs	Memory Population Sequence
1	DIMMB2 / DIMMA2
2	DIMMB2 / DIMMB1 / DIMMA2 / DIMMA1
4	DIMMB2 / DIMMA2 / DIMMB1 / DIMMA1

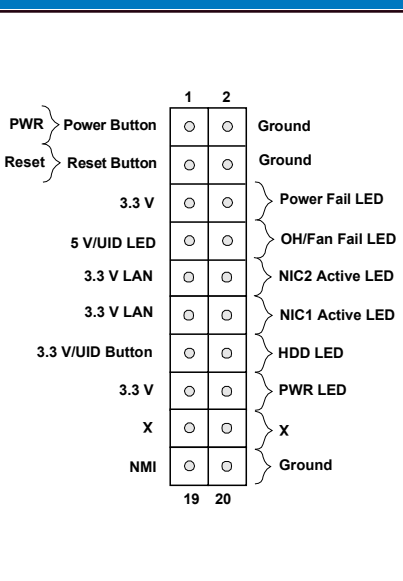
CPU Installation



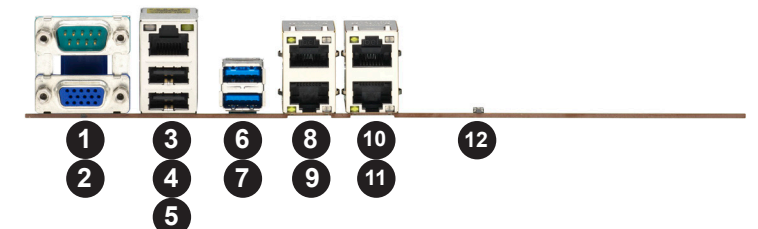
Heatsink Installation



Front Control Panel



Back Panel I/O Connectors



Rear I/O Ports			
#	Description	#	Description
1	COM1	6	USB6 (USB 3.2 Gen 1)
2	VGA	7	USB7 (USB 3.2 Gen 1)
3	BMC LAN	8	LAN1
4	USB0 (USB 2.0)	9	LAN2
5	USB1 (USB 2.0)	10	LAN3 (X13SCH-LN4F only)
		11	LAN4 (X13SCH-LN4F only)
		12	UID Button

Note: Graphics shown in this quick reference guide are for illustrational purposes only. Your components may or may not look exactly the same as drawings shown in this guide.

Note: Refer to Chapter 2 of the User Manual for detailed information on jumpers, connectors, and LED indicators.

Note: Refer to Chapter 2 of the User Manual for detailed information on memory support and CPU/motherboard installation instructions.