

CONTACT INFORMATION

- Website: www.supermicro.com
- General Information: marketing@supermicro.com
- Technical Support: support@supermicro.com
- Phone: +1 (408) 503-8000, Fax: +1 (408) 503-8008

FOR YOUR SYSTEM TO WORK PROPERLY, PLEASE DOWNLOAD APPROPRIATE DRIVERS/IMAGES/USER'S MANUAL FROM THE LINKS BELOW:

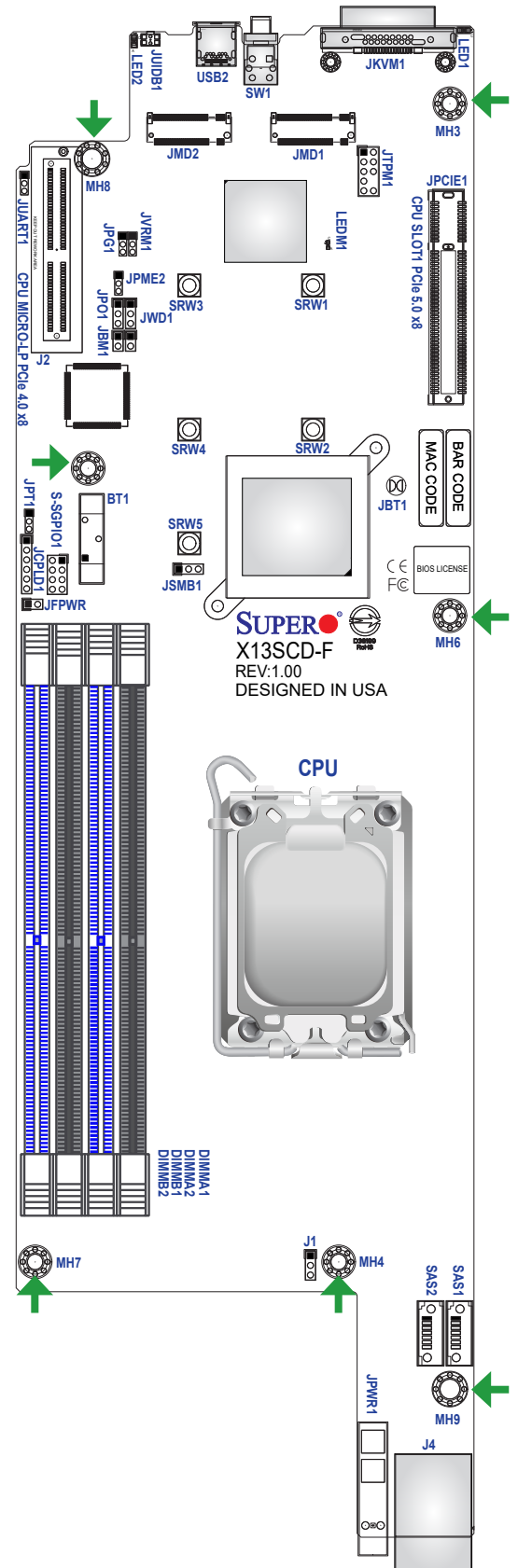
- Manuals: <http://www.supermicro.com/support/manuals>
- Drivers & Utilities: <https://www.supermicro.com/wdl/driver/>
- Safety: http://www.supermicro.com/about/policies/safety_information.cfm

PACKAGE CONTENTS

- One Supermicro Motherboard
- One Quick Reference Guide



Motherboard Layout and Features



Note: Graphics shown in this quick reference guide are for illustration only. Your components may or may not look exactly the same as drawings shown in this guide.

Jumpers, Connectors, and LED Indicators

Jumpers		
Jumper	Description	Default Setting
J1	SATA/SAS Select	Pins 1-2 (Onboard SATA) Pins 2-3 (AOC SAS)
JBM1	Disable IPMI Share LAN	Pins 1-1 (Enabled)
JBT1	CMOS Clear	Open (Normal)
JPG1	VGA Enable/Disable	Pins 1-2 (Enabled)
JPME2	ME Manufacturing Mode	Pins 1-2 (Normal)
JPO1	CPU Throttle When PWR_Fail	Pins 2-3 (Disabled)
JPT1	Onboard TPM Enable/Disable	Pins 1-2 (Enabled)
JWD1	Watchdog Timer	Pins 1-2 (Reset)

Connectors	
Connector	Description
BT1	CMOS Battery
J2	CPU MICRO-LP PCIe 4.0 x8 Slot
J4	Backplane Connector
JKVM1	KVM Connector (VGA/USB 2.0 x 2/COM port)
JMD1	M.2-H PCIe 4.0 x4/I-SATA 3.0 (2242/2280 form factors)
JMD2	M.2-H PCIe 4.0 x4/I-SATA 3.0 (2242/2280/22110 form factors)
JPCIE1	CPU Slot 1 PCIe 5.0 x8 Slot
JPWR1	Power Connector
JTPM1	Trusted Platform Module/Port 80 Connector
JUIDB1	UID Switch
MH3 - MH9	Mounting Holes
SAS1, SAS2	SAS Ports
S-SGPIO1	Serial Link General Purpose I/O Header
SRW1 - SRW5	M.2 Mounting Holes
SW1	Power Button, Power LED
USB2	USB 3.2 Type-C Port

LED Indicators		
LED	Description	Status
LED1	Unit Identifier LED	Solid Blue: Unit Identified
LED2	OH/Power Fail/FAN LED	Blinking Red: Power Fail or FAN Fail Solid Red: Overheat
LEDM1	BMC Heartbeat LED	Blinking Green: BMC Normal

CPU Support

The X13SCD-F supports an Intel® Xeon® 6300-series/E-2400 Series processor with a TDP of up to 95 W in an LGA 1700 socket.

The BIOS version 2.0 or above is required to support the Intel Xeon 6300-series processor.

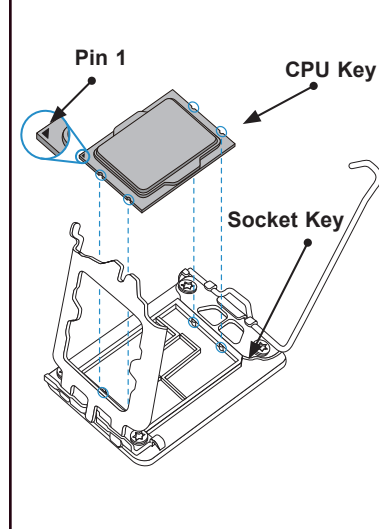
Note: Refer to Chapter 2 of the User Manual for detailed information on jumpers, connectors, and LED indicators.

Memory Support

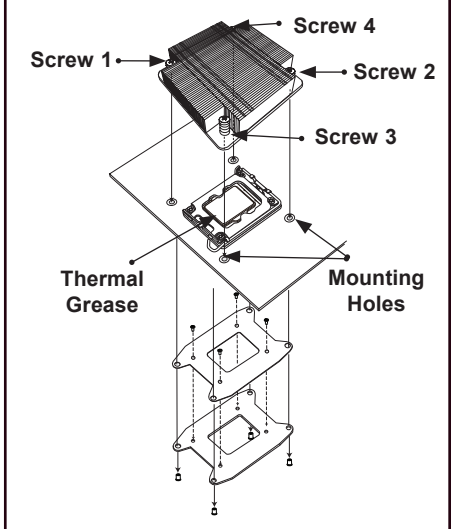
The X13SCD-F supports up to 128 GB of DDR5 ECC UDIMM with speeds of up to 4400 MT/s in four memory slots.

Recommended DIMM Installation						
Configuration	DIMMs	Channel A Slot 1	Channel A Slot 2	Channel B Slot 1	Channel B Slot 2	Status
1	1				1	Supported
2	1			1		Not Supported
3	2			1	1	Supported
4	1		1			Supported - Best Performance
5	2		1		1	Supported - Best Performance
6	2		1	1		Not Supported
7	3		1	1	1	Supported
8	1	1				Not Supported
9	2	1			1	Not Supported
10	2	1		1		Not Supported
11	3	1		1	1	Not Supported
12	2	1	1			Supported
13	3	1	1		1	Supported
14	3	1	1	1		Not Supported
15	4	1	1	1	1	Supported - Best Performance

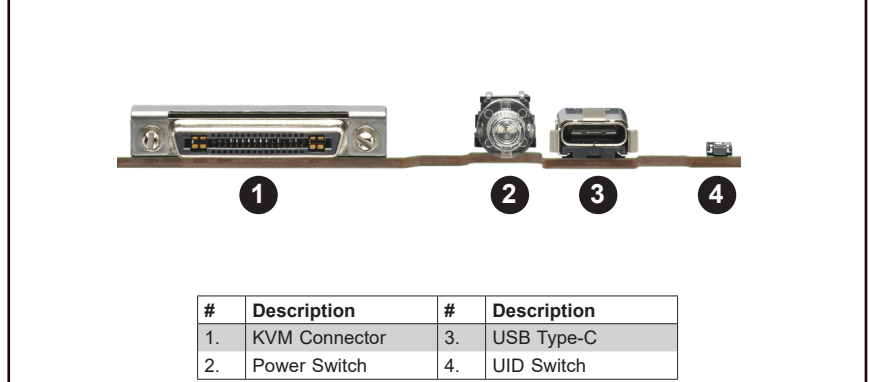
CPU Installation



Heatsink Installation



Back Panel I/O Connectors



Note: Refer to Chapter 2 of the User Manual for detailed information on memory support and CPU/motherboard installation instructions.