

**CONTACT INFORMATION**

- Website: [www.supermicro.com](http://www.supermicro.com)
- General Information: [marketing@supermicro.com](mailto:marketing@supermicro.com)
- Technical Support: [support@supermicro.com](mailto:support@supermicro.com)
- Phone: +1 (408) 503-8000, Fax: +1 (408) 503-8008

**FOR YOUR SYSTEM TO WORK PROPERLY, PLEASE DOWNLOAD APPROPRIATE DRIVERS/IMAGES/USER'S MANUAL FROM THE LINKS BELOW:**

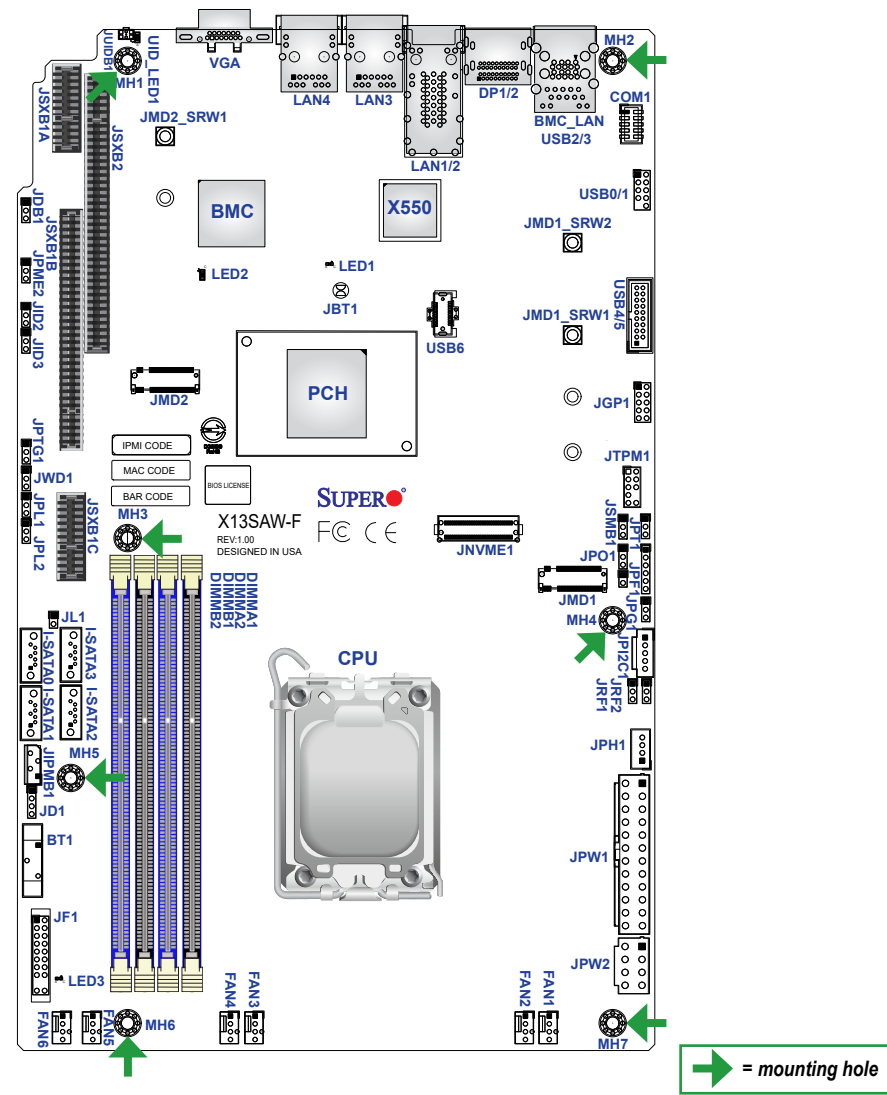
- Manuals: <http://www.supermicro.com/support/manuals>
- Drivers & Utilities: <https://www.supermicro.com/wdl/driver/>
- Safety: [http://www.supermicro.com/about/policies/safety\\_information.cfm](http://www.supermicro.com/about/policies/safety_information.cfm)

**PACKAGE CONTENTS**

- One Supermicro Motherboard
- One Quick Reference Guide
- Four SATA Cables
- One I/O Shield



**Motherboard Layout and Features**



**Jumpers and Connectors**

Jumpers			
Jumper	Description	Default Setting (*)	
JBT1	CMOS Clear	Open (Normal)	
JPF1	POWER FORCE ON	Open (Normal)	
JPG1	VGA Enable/Disable	Pins 1-2 (Enabled)	
JPL1	LAN3 Enable/Disable	Pins 1-2 (Enabled)	
JPL2	LAN4 Enable/Disable	Pins 1-2 (Enabled)	
JPME2	ME Manufacturing Mode	Pins 1-2 (Normal)	
JPO1	CPU Throttle when PWR_FAIL	Pins 2-3 (Disabled)	
JPT1	Onboard TPM Enable/Disable	Pins 1-2 (Enabled)	
JPTG1	LAN1/2 Enable/Disable	Pins 1-2 (Enabled)	
JRF1, JRF2	SXB1 PCIe Bifurcation	JRF1 Pins 1-2 JRF2 Pins 2-3	PEG x16* (PCIe) 2x8 (PCIe)
JWD1	Watchdog Timer	Pins 1-2 (Reset)	

Connectors	
Connector	Description
BT1	Extended CMOS Battery
BMC_LAN	Dedicated BMC LAN Port
COM1	COM Header
DP1/2	Dual DisplayPort
FAN1-FAN6	Fan Headers
I-SATA0-3	SATA 3.0 Ports
JD1	Speaker Header (Pins 1-4: Speaker)
JF1	Front Control Panel Header
JGP1	General Purpose I/O Header
JIPMB1	4-pin BMC External I <sup>2</sup> C Header (for an IPMI card)
JL1	Chassis Intrusion Header
JMD1	M.2 M-Key PCIe 4.0 x4 Slot (2280/22110 form factor)
JMD2	M.2 M-Key PCIe 3.0 x4 Slot (2280 form factor)
JMD1_SRW1/2	M.2 Mounting Holes
JNVME1 (MCIO)	One PCIe x4 + One PCIe x4 Connector
JPH1	4-pin HDD Power Connector
JPI <sup>2</sup> C1	Power System Management Bus (SMB) I <sup>2</sup> C Header
JPW1	24-pin Power Connector
JPW2	8-pin +12 V DC Power Connector for CPU (Required) or alternative single power input for when the 24-pin ATX power is not in use
JSMB1	System Management Bus Header
JSXB1A/1B/1C	PCIe 5.0 x16 Slots (Supermicro Proprietary WIO Left Add-on Card Slots)
JSXB2	PCIe 4.0 x4 (IN x16) Slot (Supermicro Proprietary WIO Right Add-on Card Slot)
JTPM1	Trusted Platform Module/Port 80 Connector
JUIDB1	UID Switch
LAN1/2	X550 Dual LAN Port
LAN3/4	I226 LAN Ports

**Connectors and LED Indicators**

Connectors		
Connector	Description	
MH1-MH7	Mounting Holes	
USB0/1	Front Accessible USB 2.0 Headers	
USB2/3	Back Panel USB 3.2 Gen 2 (10 Gb) Ports	
USB4/5	Front Accessible USB 3.2 Gen 1 (5 Gb) Header	
USB6	Front Accessible USB 3.2 Gen 2 (10 Gb) Header	
VGA	VGA Port (VGA via the BMC)	

LED Indicators		
LED	Description	Status
LED1	BMC Heartbeat LED	Blinking Green: BMC Normal
LED2	Power Fail LED	Solid Red: PWR Fail or FAN Fail
LED3	Power LED	Solid Green: Power On
UID_LED1	Unit Identifier (UID) LED	Solid Blue: Unit Identified

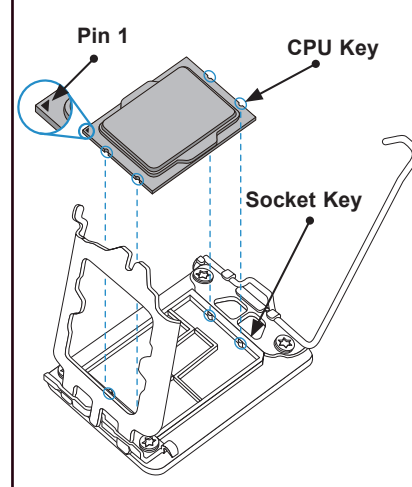
**CPU Support**

The X13SAW-TLN4F/F motherboard supports an Intel® 12th/13th/14th Generation Core i3/i5/i7/i9 processor with a TDP of up to 125 W in an LGA1700 socket.

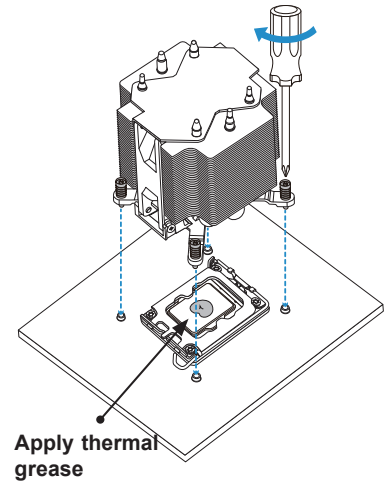
**Memory Support**

The X13SAW-TLN4F/F motherboard supports up to 128 GB of DDR5 ECC/Non-ECC UDIMM with speeds of up to 4400 MT/s in four memory slots.

**CPU Installation**



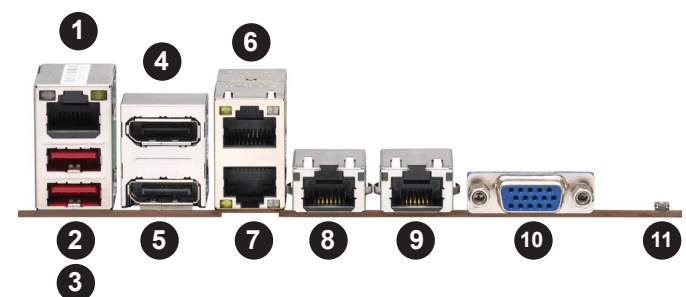
**Heatsink Installation**



**Front Control Panel**

PWR	Power Button	1	2	GND
Reset	Reset Button	1	2	GND
	X	1	2	X
	+3.3 V	1	2	OH/Fan Fail LED
	+3.3 V Stby	1	2	NIC2 Link LED
	+3.3 V Stby	1	2	NIC1 Link LED
	+3.3 V	1	2	HDD LED
	+3.3 V Stby	1	2	PWR LED
	X	1	2	X
	NMI	1	2	GND
		19	20	

**Back Panel I/O Connectors**



#	Description	#	Description	#	Description
1.	Dedicated BMC LAN	6.	LAN4 (10G) (-TLN4F SKU only)	11.	UID Switch
2.	USB2 (3.2)	7.	LAN3 (10G) (-TLN4F SKU only)		
3.	USB3 (3.2)	8.	LAN1 (2.5G)		
4.	DisplayPort	9.	LAN2 (2.5G)		
5.	DisplayPort	10.	VGA Port		

**Note:** Graphics shown in this quick reference guide are for illustration only. Your components may or may not look exactly the same as drawings shown in this guide.

**Note:** Refer to Chapter 2 of the on jumpers, connectors, and LED indicators.

**Note:** Refer to Chapter 2 of the User Manual for detailed information on memory support and CPU/motherboard installation instructions.