

CONTACT INFORMATION

- Website: www.supermicro.com
- General Information: marketing@supermicro.com
- Technical Support: support@supermicro.com
- Phone: +1 (408) 503-8000, Fax: +1 (408) 503-8008

FOR YOUR SYSTEM TO WORK PROPERLY, PLEASE DOWNLOAD APPROPRIATE

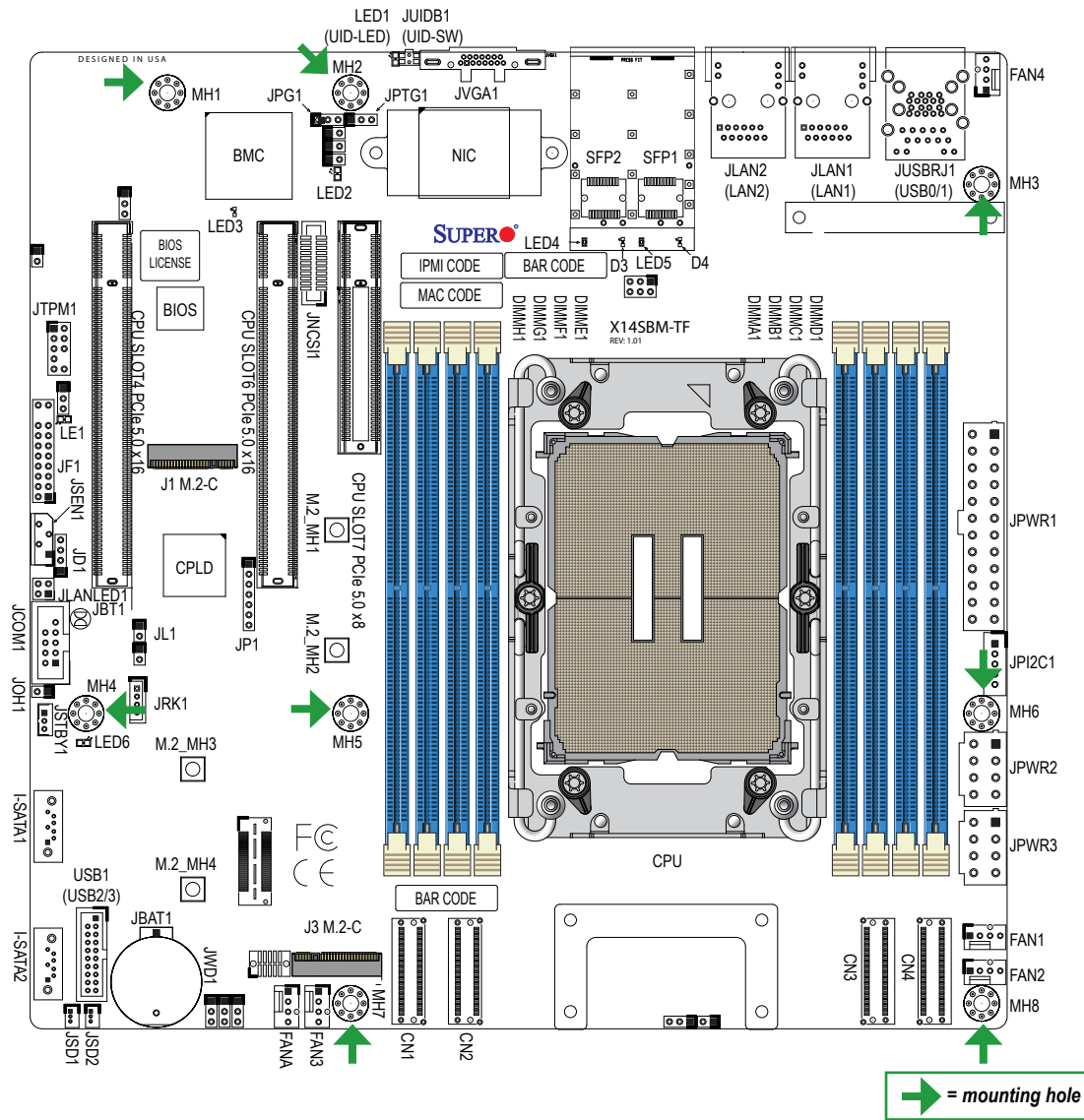
- DRIVERS/IMAGES/USER'S MANUAL FROM THE LINKS BELOW:**
- Manuals: <http://www.supermicro.com/support/manuals>
- Drivers & Utilities: <https://www.supermicro.com/wdl/driver/>
- Safety: http://www.supermicro.com/about/policies/safety_information.cfm

PACKAGE CONTENTS

- One Supermicro Motherboard
- One I/O Shield
- One Quick Reference Guide
- Two SATA Cables
- One CPU Carrier (XCC)
- One CPU Carrier (HCC/LCC)



Motherboard Layout and Features



Jumpers and Connectors

Jumpers		
Jumper	Description	Default Setting
JBT1	Onboard CMOS Clear	Open (Normal)
JPG1	VGA Enable/Disable	Pins 1-2 (Enable)
JTP1	Onboard TPM 2.0 Enable/Disable	Pins 1-2 (Enable)
JPTG1	LAN Enable/Disable	Pins 1-2 (Enable)
JWD1	Watchdog Timer	Pins 1-2 (Reset)

Connectors	
Connector	Description
JBAT1	Onboard CMOS Battery
CPU SLOT4 PCIe 5.0 x16	PCIe 5.0 x16 Slot
CPU SLOT6 PCIe 5.0 x16	PCIe 5.0 x16 Slot
CPU SLOT7 PCIe 5.0 x8	PCIe 5.0 x8 Slot
CN1-CN4	MCIO PCIe 5.0 x8 Connectors
FAN1-FAN4, FANA	4-pin Fan Headers
I-SATA1-I-SATA2	SATA 3.0 Connectors
J1 M.2-C	M.2 M-Key 2280/22110 PCIe 5.0 x2 Slot
J3 M.2-C	M.2 M-Key 2280/22110 PCIe 5.0 x2 Slot
JCOM1	COM Header
JD1	Internal Speaker Header
JF1	Front Control Panel Header
JL1	Chassis Intrusion Header
JLAN1-JLAN2	10 GbE RJ45 LAN Ports (LAN1-LAN2)
JLANLED1	LAN3/LAN4 Activity LED
JNCS1	NC-SI Header for IPMI Support
JOH1	Overheat LED Header
JPI2C1	Power Supply SMBus I ² C Header
JPWR1	24-pin ATX Main Power Connector
JPWR2-JPWR3	8-pin +12 V Processor Power Connectors
JRK1	Intel VROC RAID Key Header
JSD1-JSD2	SuperDOM Power Connectors
JSEN1	Inlet Sensor Header
JTPM1	Trusted Platform Module/Port 80 Connector
JUIDB1	Unit Identifier Switch
JUSBRJ1	Two USB 3.2 Gen 1 Type-A Ports (USB0/1) and One Dedicated BMC LAN Port (BMC LAN)
JVGA1	VGA Port
USB1	Two USB 3.2 Gen 1 Ports from Onboard Header (USB2/3)
LAN3-LAN4	10G SFP+ LAN Ports (Only X14SBM-TP4F)
MH1-MH5	Motherboard Mounting Holes
M.2_MH1, M.2_MH3	M.2 Mounting Hole for M.2 2280
M.2_MH2, M.2_MH4	M.2 Mounting Hole for M.2 22110

LED Indicators

LED Indicators		
LED	Description	Status
D3 (Only X14SBM-TP4F)	LAN4 Activity LED	Flashing Green: Active
D4 (Only X14SBM-TP4F)	LAN3 Activity LED	Flashing Green: Active
LE1	Power LED	Solid Green: Power On
LED1	Unit Identifier LED	Solid Blue: Unit Identified
LED2	BMC Heartbeat LED	Blinking Green: BMC Normal
LED4 (Only X14SBM-TP4F)	LAN4 Speed LED	Green: 10G Link Yellow: 1G Link
LED5 (Only X14SBM-TP4F)	LAN3 Speed LED	Green: 10G Link Yellow: 1G Link
LED6	Disk Activity LED	Flashing Blue: Disk Activity

Processor and Memory Support

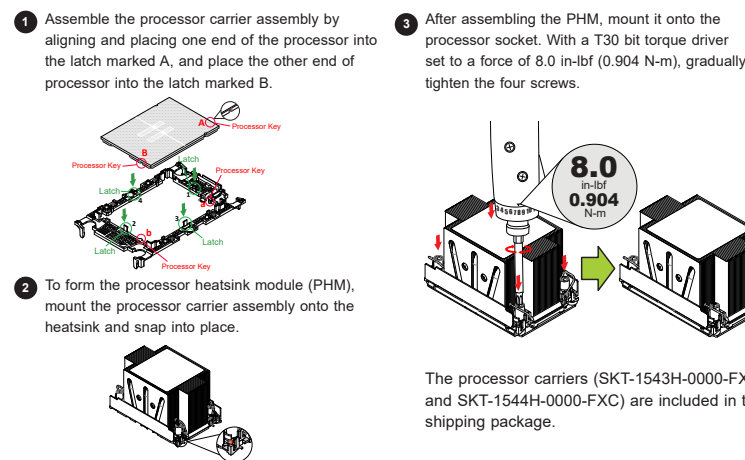
The X14SBM-TF/-TP4F motherboard supports the Intel® Xeon® 6700/6500 series processor with P-cores or Intel® Xeon® 6700 series processor with E-cores, and a thermal design power (TDP) of up to 350 W.

The motherboard supports up to 2 TB of 3DS RDIMM/MRDIMM DDR5 ECC memory with speeds of up to 8000 MT/s in eight DIMM slots.

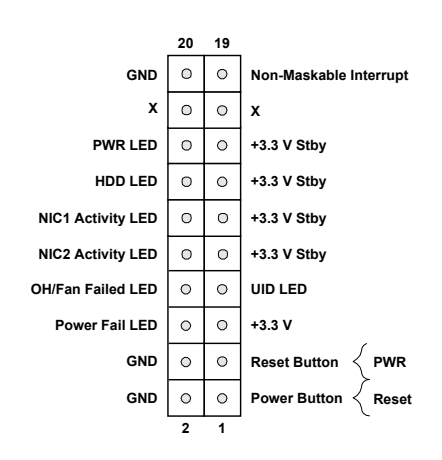
Intel Xeon 6700/6500 Series Processors with P-Cores DDR5 Memory Population Table (1 Processor and 8 DIMMs Installed, 1DPC)	
DIMM Counts	Memory Population Sequence (1DPC)
1 (Recommended)	DIMMA1
4 (Recommended)	DIMMA1/DIMMC1/DIMME1/DIMMG1 DIMMB1/DIMMD1/DIMMF1/DIMMH1
8 (Recommended)	DIMMA1/DIMMB1/DIMMC1/DIMMD1/DIMME1/DIMMF1/DIMMG1/DIMMH1

Intel Xeon 6700 Series Processors with E-Cores DDR5 Memory Population Table (1 Processor and 8 DIMMs Installed, 1DPC)	
DIMM Counts	Memory Population Sequence (1DPC)
1 (Recommended)	DIMMA1
4	DIMMA1/DIMMC1/DIMME1/DIMMG1 DIMMB1/DIMMD1/DIMMF1/DIMMH1
8 (Recommended)	DIMMA1/DIMMB1/DIMMC1/DIMMD1/DIMME1/DIMMF1/DIMMG1/DIMMH1

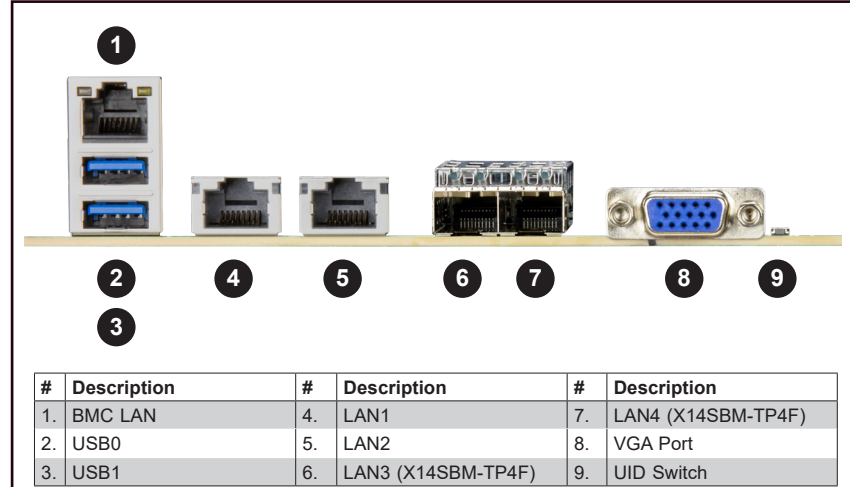
Processor and PHM Installation



Front Control Panel



I/O Ports



Note: Graphics shown in this quick reference guide are for illustrative purposes only. Your components may or may not look exactly the same as drawings shown in this guide.

Note: Refer to the Component Installation section of the user manual for detailed information on jumpers, connectors, and LED indicators.

Note: Refer to the Component Installation section of the user manual for detailed information on memory support and processor/motherboard installation instructions.