

CONTACT INFORMATION

- Website: www.supermicro.com
- General Information: marketing@supermicro.com
- Technical Support: support@supermicro.com
- Phone: +1 (408) 503-8000, Fax: +1 (408) 503-8008

FOR YOUR SYSTEM TO WORK PROPERLY, PLEASE DOWNLOAD APPROPRIATE DRIVERS/IMAGES/USER'S MANUAL FROM THE LINKS BELOW:

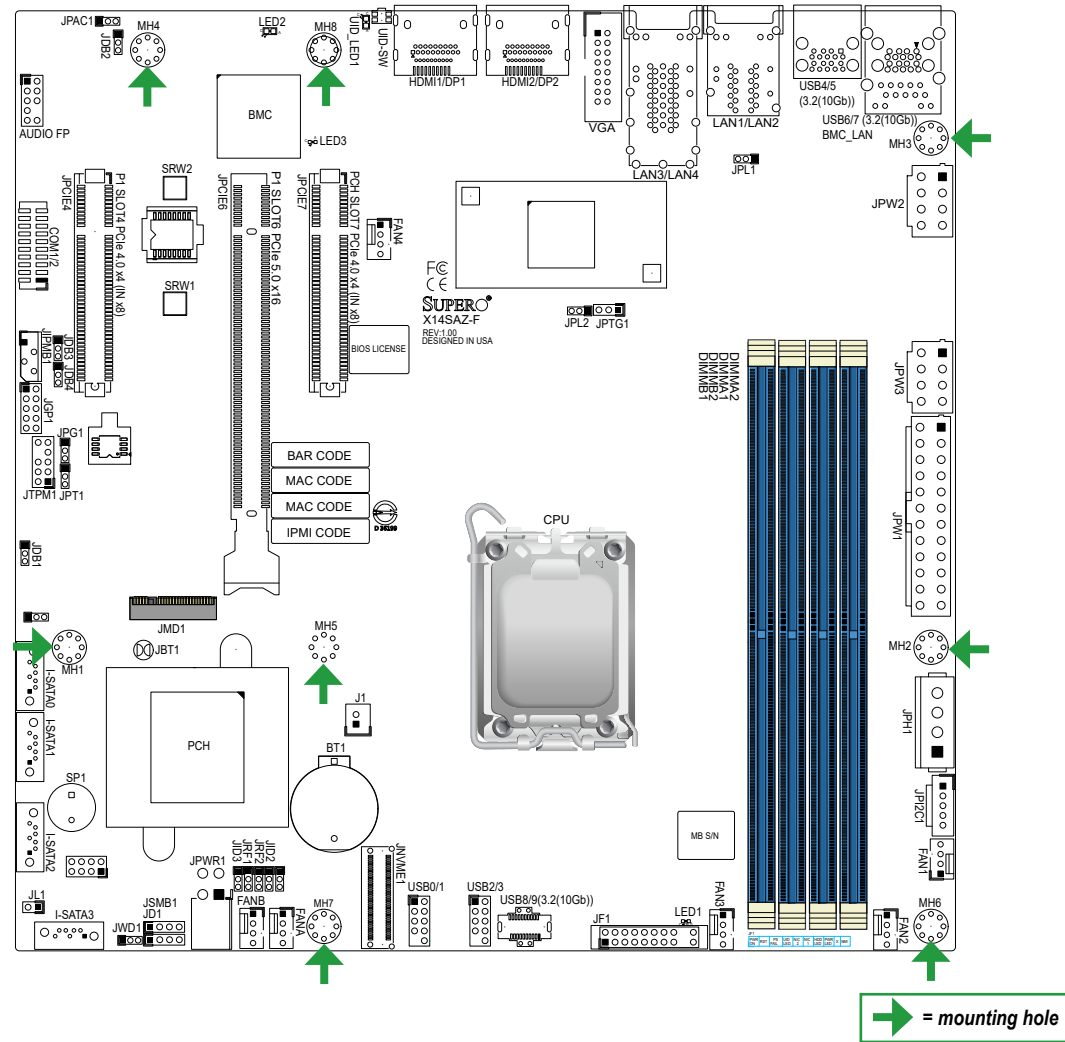
- Manuals: <http://www.supermicro.com/support/manuals>
- Drivers & Utilities: <https://www.supermicro.com/wdl/driver/>
- Safety: http://www.supermicro.com/about/policies/safety_information.cfm

PACKAGE CONTENTS

- One Supermicro Motherboard
- One Quick Reference Guide
- One I/O Shield
- Four SATA Cables



Motherboard Layout and Features



Jumpers and Connectors

Jumpers		
Jumper	Description	Default Setting (*)
JBT1	CMOS Clear	Open (Normal)
JPAC1	Audio Enable/Disable	Pins 1-2 (Enabled)
JPG1	VGA Enable/Disable	Pins 1-2 (Enabled)
JPL1, JPL2	LAN1, LAN2 Enable/Disable	Pins 1-2 (Enabled)
JPT1	Onboard TPM 2.0 Enable/Disable	Pins 1-2 (Enabled)
JPTG1	10G LAN Enable/Disable (TLN4F SKU)	Pins 1-2 (Enabled)
JRF1, JRF2	PCIe Bifurcation	JRF1 JRF2 PEG
		Pins 2-3 Pins 2-3 x16* (PCIe)
JWD1	Watchdog Timer	Pins 2-3 Pins 1-2
		Pins 1-2 (Reset)

Connectors	
Connector	Description
AUDIO FP	Front Panel Audio Header (Mic-In/Line-Out)
BMC_LAN	Dedicated BMC LAN Port
BT1	Onboard Battery
COM1/2	COM Header (supports RS232)
FAN1-FAN4	CPU/System Fan Headers (FAN1-FAN4: CPU Fan)
FANA, FANB	
HDMI1/DP1, HDMI2/DP2	High Definition Multimedia Interface 2.1, DisplayPort 2.1
I-SATA0-3	Intel® SATA 3.0 Ports (I-SATA2: SATA DOM)
J1	External RTC Battery Connector
JD1	Speaker/Buzzer (Pins 1-4: Speaker, Pins 3-4: Buzzer)
JF1	Front Control Panel Header
JGP1	General Purpose I/O Header
JIPMB1	4-pin BMC External I ² C Header
JL1	Chassis Intrusion Header
JMD1	M.2-C PCIe 5.0 x4 Slot
JNVME1	MCIO PCIe 4.0 x4 +x4 Slot
JPCIE4	CPU SLOT4 PCIe 4.0 x4 (IN x8) Slot
JPCIE6	CPU SLOT6 PCIe 5.0 x16 Slot
JPCIE7	PCH SLOT7 PCIe 4.0 x4 (IN x8) Slot
JPH1	4-pin HDD Power Connector
JPI2C1	Power System Management Bus (SMB) I ² C Header
JPW1	24-pin ATX Main Power Connector (Required)
JPW2, JPW3	8-pin +12 V CPU Power Connectors (Required)
JPWR1	4-pin Power Out for GPU Card
JSMB1	System Management Bus Header
JTPM1	Trusted Platform Module/Port 80 Connector
LAN1/LAN2	2.5G (RJ45) LAN ports
LAN3/LAN4	10G LAN Ports (TLN4F SKU)
MH1-MH8	Mounting Holes
SP1	Internal Speaker/Buzzer
SRW1, SRW2	M.2 Mounting Holes
USB0/1, USB2/3	Front Accessible USB 2.0 Headers

Connectors and LED Indicators

Connectors		
Connector	Description	
USB4/5, USB6/7	Back Panel USB 3.2 (10 Gb) Ports	
USB8/9	Front Accessible USB 3.2 (10 Gb) Type-A Ports	
UID-SW	Unit Identifier Button	
VGA	VGA Port	

LED Indicators		
LED	Description	Status
LED1	Power LED	Solid Green: Power On
LED2	Power Fail LED	Soild Red: PWR Fail or FAN Fail
LED3	BMC Heartbeat LED	Blinking Green: BMC Normal
UID_LED1	Unit Identifier (UID) LED	Solid Blue: Unit Identified

Processor Support

The X14SAZ-TLN4F/F motherboard supports the 15th Generation Intel® Core™ Ultra 5/7/9 processor with a thermal design power of up to 125 W in the LGA 1851 socket.

Memory Support

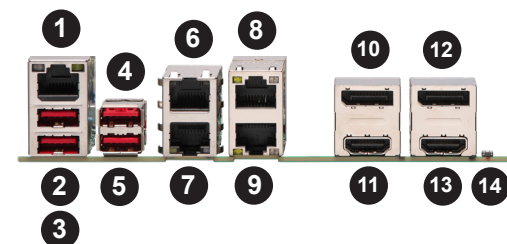
The X14SAZ-TLN4F/F motherboard supports up to 256 GB of ECC or Non-ECC DDR5 UDIMM/CUDIMM memory with speeds of up to 5600 MT/s with one DIMM single rank/dual rank, or 4400 MT/s with two DIMM single rank/dual rank in four memory slots.

DIMM Memory Installation

When installing memory modules, the DIMM slots should be populated in the following order: DIMMA1, DIMMA2, then DIMMB1, DIMMB2.

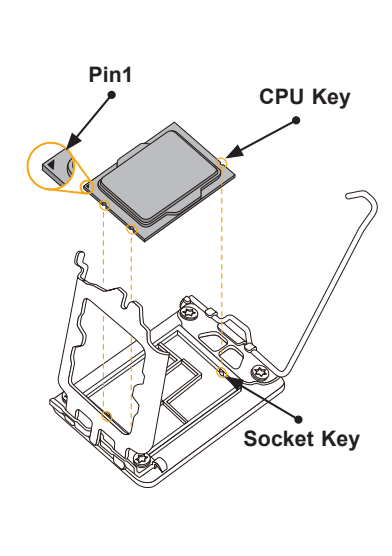
It is recommended to use DIMM modules of the same type, size, and speed. Mixed DIMM speeds can be installed. However, all DIMMs will run at the speed of the slowest DIMM. The motherboard will support odd-numbered modules. However, for best memory performance, install DIMM modules in pairs to activate memory interleaving.

I/O Ports

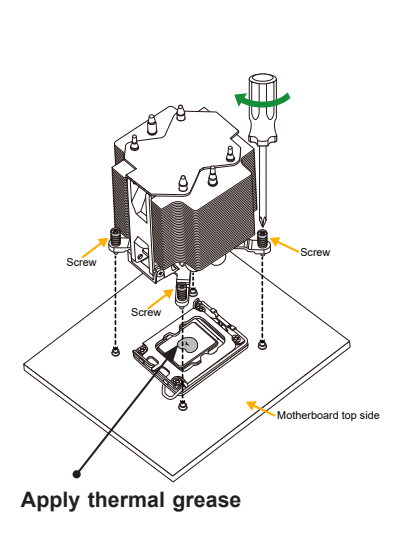


#	Description	#	Description	#	Description
1	BMC LAN	6	LAN1 (2.5G)	11	HDMI2
2	USB6 (3.2, 10 Gb)	7	LAN2 (2.5G)	12	DP1
3	USB7 (3.2, 10 Gb)	8	LAN3 (10G) (TLN4F)	13	HDMI1
4	USB4 (3.2, 10 Gb)	9	LAN4 (10G) (TLN4F)	14	UID Button
5	USB5 (3.2, 10 Gb)	10	DP2		

Processor Installation



Heatsink Installation



Front Control Panel (JF1)

	1	2	
PWR	Power Button		GND
Reset	Reset Button		GND
	+3.3 V		X
	+3.3 V		OH/Fan Fail LED
	+3.3 V Stby		NIC2 Link LED
	+3.3 V Stby		NIC1 Link LED
	+3.3 V		HDD LED
	+3.3 V Stby		PWR LED
	X		X
	NMI		GND
	19	20	

Note: Graphics shown in this quick reference guide are for illustrative purposes only. Your components may or may not look exactly the same as drawings shown in this guide.

Note: Refer to Chapter 1 of the User Manual for detailed information on jumpers, connectors, and LED indicators.

Note: Refer to Chapter 2 of the User Manual for detailed information on memory support and CPU/motherboard installation instructions.