

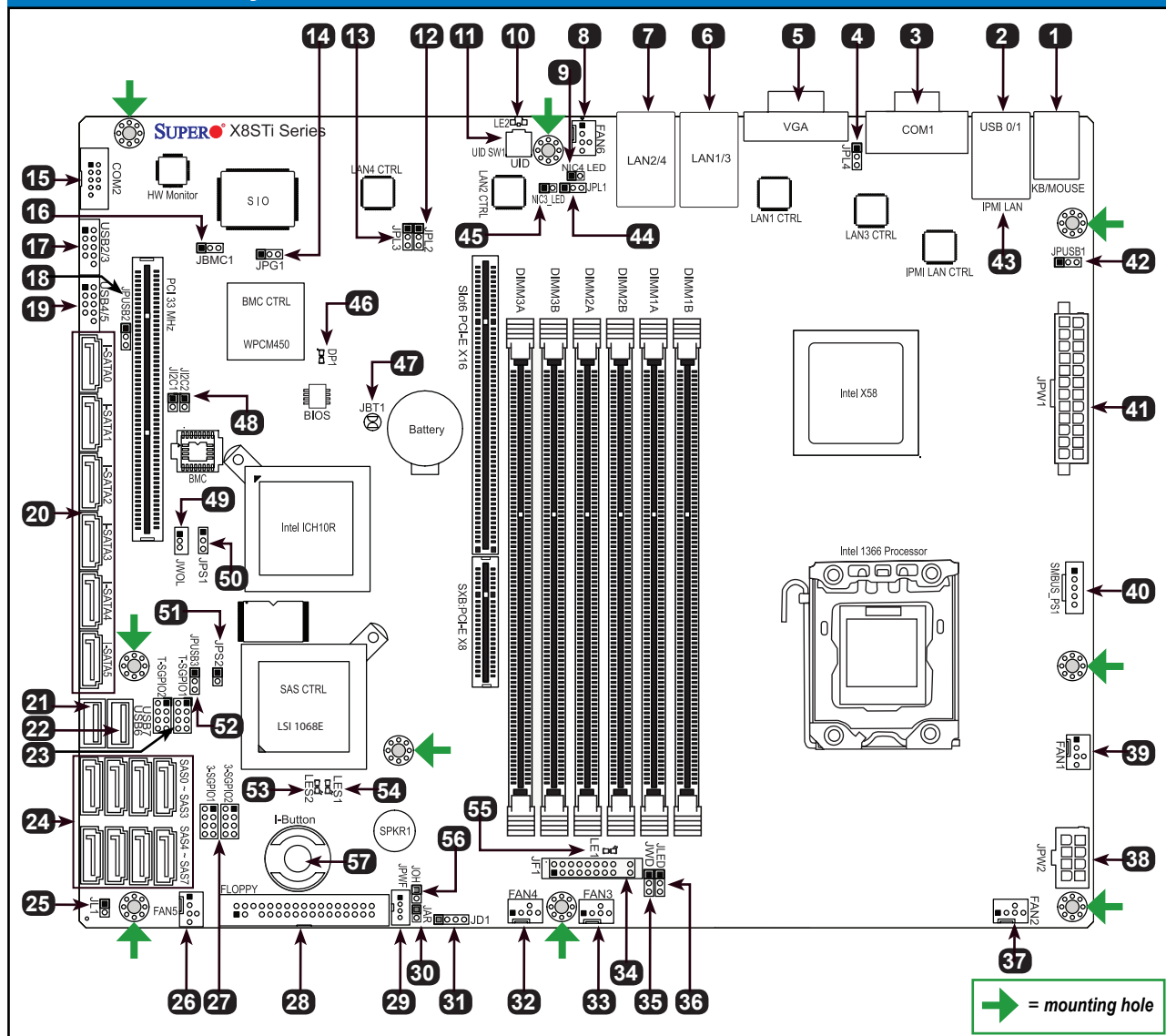
CONTACT INFORMATION

- www.supermicro.com (Email: support@supermicro.com)
- Manuals: http://www.supermicro.com/support/manuals
- Drivers & Utilities: ftp://ftp.supermicro.com
- Safety: http://www.supermicro.com/about/policies/safety_information.cfm

PACKAGE CONTENTS (Applies to individual-pack only)

- One (1) Supermicro Motherboard
- Six (6) SATA Cables
- One (1) Floppy Drive Ribbon Cable
- One (1) I/O Shield
- One (1) Quick Reference Guide

Motherboard Layout and Features



Jumpers, Connectors and LED Indicators

Jumpers			
Item #	Jumper	Description	Default
13, 4	JPL3, JPL4	LAN 3/4 Enable (X8STi-LN4 only)	Pins 1-2 (Enabled)
44, 12	JPL1, JPL2	LAN 1/2 Enable	Pins 1-2 (Enabled)
14	JPG1	Onboard VGA Enable	Pins 1-2 (Enabled)
16	JBMC1 (factory use only)	BMC Jumper (X8STi-F/-3F only)	Pins 1-2 (Default) (do not change)
18, 52	JUSB2, JUSB3	FP USB 2/3, 4/5 Wake up; FP USB 6, 7 Wake-up	Pins 2-3 (Disabled)
35	JWD	Watch Dog Timer Enable	Pins 1-2 (Reset)
42	JUSB1	BP USB0/1 Wake-up	Pins 1-2 (Enabled)
47	JBT1	CMOS Clear	(See Chpt. 2 in User Manual)
48	Ji°C1, Ji°C2	SMB to PCI Slots	(See Chpt. 2 in User Manual)
50	JPS1	SAS Enable (X8STi-3F only)	Pins 1-2 (Enabled)
51	JPS2	SAS RAID Mode Select (X8STi-3F only)	Closed (Software RAID)

Connectors		
Item #	Connector	Description
1	KB/Mouse	Keyboard and Mouse connectors
2, 17, 19, 21, 22	USB 0/1, 2/3, 4/5, 6, 7	Backplane USB (0/1), Front panel USB (2/3, 4/5, 6, 7)
3, 15	COM1, COM2	COM Port 1, COM 2 Header
5	VGA	Onboard Video Port
6, 7	LAN 1/3, LAN 2/4	Gigabit Ethernet (RJ45) ports (LAN3/4: X8STi-LN4 only)
8, 26, 32, 33, 37, 39	Fans 6, 5, 4, 3, 2, 1	System/CPU fan headers (CPU: Fan 1)
9, 45	NIC4_LED, NIC3_LED	LAN 3/4 LED Connectors for front access (X8STi-LN4 only)
11	UID SW1	Unit Identifier Switch (used in conjunction w/UID LED)
20	I-SATA 0-5	Serial ATA Ports
23	T-SGPIO-1/2	Serial General Purpose IO headers
28	Floppy	Floppy Disk Drive connector
29	JPWF	Power-Fail indication header
24	SAS 0-7	SAS Ports (X8STi-3F only)
25	JL1	Chassis Intrusion
27	3-SGPIO-1/2	Serial_link IO headers for SAS (X8STi-3F only)
30	JAR	Alarm Reset
31	JD1	Speaker header (Pins 3/4: Internal)
34	JF1	Front Panel Control header
36	JLED	Power LED Indicator header
38	JPW2	+12V 8-pin CPU power connector (required)
40	SMBUS_PS1	PWR supply (i°C) System Management Bus
41	JPW1	24-pin ATX main power connector (required)
43	(IPMI) LAN	IPMI Dedicated LAN (X8STi-F/-3F only)
49	JWOL	Wake-On-LAN header
56	JOH	Overheat LED header
57	I-Button	RAID data storage (For X8STi-3F only; See pg 2-27 in User Manual)

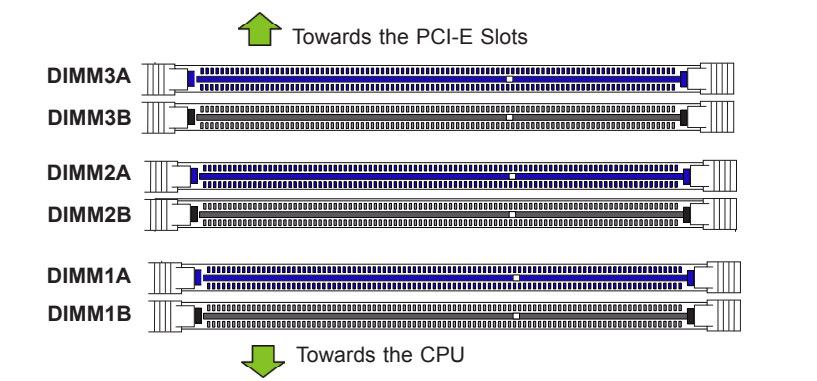
LED Indicators				
Item #	LED	Description	Color/State	Status
10	LE2	UID LED Indicator (use with UID SW)	Blue: Solid on	Unit is Identified
46	DP1	BMC Heartbeat LED Indicator	Green: Blinking	BMC: Normal
53	LES2	SAS Heartbeat (X8STi-3F only)	Yellow: Blinking	SAS: Normal
54	LES1	SAS Activity (X8STi-3F only)	Green: Blinking	SAS: Active
55	LE1	Onboard Standby PWR LED	Green: Solid on	PWR On

Memory Support

This motherboard supports up to 24 GB of Unbuffered (UDIMM) DDR3 ECC or Non-ECC 800/1066/1333 MHz memory in 6 memory slots.

Note: For memory optimization, use only DIMM modules that have been validated by Supermicro. For the latest memory updates, please refer to our website at <http://www.supermicro.com/products/motherboard>.

DIMM Installation



Memory Population Guidelines

Please follow the tables below when populating the memory slots.

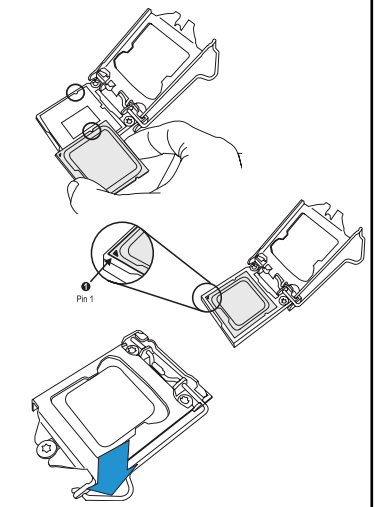
Memory Population (UDIMM Only Routing)				
DIMM Slots per Channel	DIMMs Populated per Channel	DIMM Type	POR Speeds (in MHz)	Ranks per DIMM (any combination; SR=Single Rank, DR=Dual Rank)
2	1	Unbuffered DDR3 (with or without ECC)	800,1066,1333	SR, DR
2	2	Unbuffered DDR3 (with or without ECC)	800,1066	SR, DR

Population Rules: Any combination of x8 and x16 UDIMMs, with 1Gb or 2Gb DRAM density.

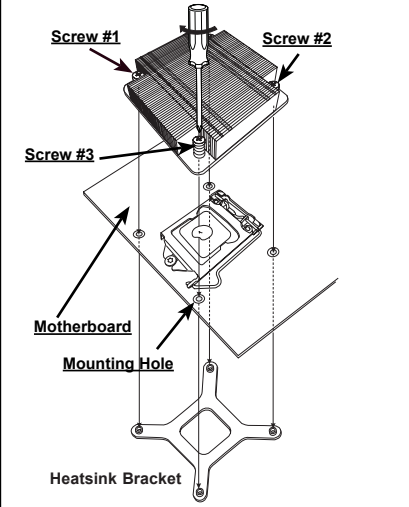
Memory Population (UDIMM 3 DIMMs per Channel Routing)				
DIMM Slots per Channel	DIMMs Populated per Channel	DIMM Type	POR Speeds (in MHz)	Ranks per DIMM (any combination; SR=Single Rank, DR=Dual Rank)
3	1	Unbuffered DDR3 (with or without ECC)	800,1066,1333	SR, DR
3	2	Unbuffered DDR3 (with or without ECC)	800,1066	SR, DR

Population Rules: Any combination of x8 UDIMMs, with 1Gb or 2Gb DRAM density.

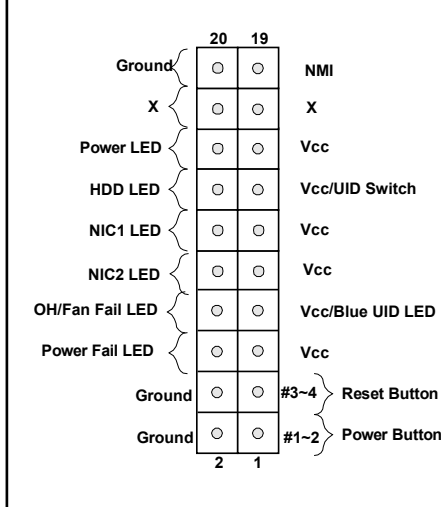
CPU Installation



Heatsink Installation



Front Panel Control (JF1)



Note: Graphics shown in this quick reference guide are for illustration only. Your components may or may not look exactly the same as drawings shown in this guide.

Note: Refer to Chapter 1 of the User Manual for detailed information on jumpers, connectors, and LED indicators.

Note: Refer to Chapter 2 of the User Manual for detailed information on memory support and CPU/motherboard installation instructions.