

Quick Installation Guide

SSE-F3548S SSE-F3548SR



PACKAGE CONTENTS

- 48 × 25GbE + 6 × 100GbE DC switch
- Power cords × 2
- Rack-mounting kit (M3 flat head screws × 2; M3 pan head screws × 4; M4 flat head screws × 2; M5 screws × 10; Inner rails × 2; Outer rails × 2 (The outer rails each include a sleeve and a rider))
- RJ-45 to DB-9 serial console cable
- Quick Installation Guide

Detailed installation instructions are contained in a User Manual available on the Supermicro website at:

<https://www.supermicro.com/products/accessories/Networking/SSE-F3548S.cfm>

Instructions for rack mounting are included in the manual and summarized below.

SELECTING A SITE

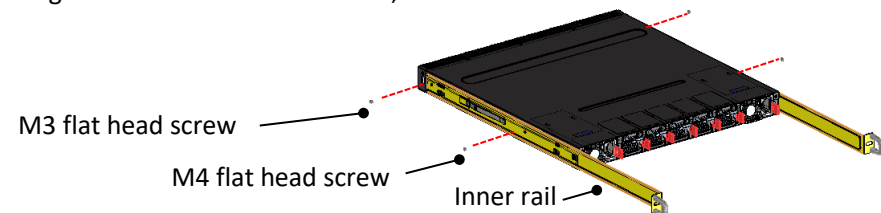
The switch can be mounted in a standard 19-inch equipment rack or on a horizontal surface.

MOUNTING

The switch can be mounted in a rack using the supplied rack-mounting kit. The installation instructions are shown below:

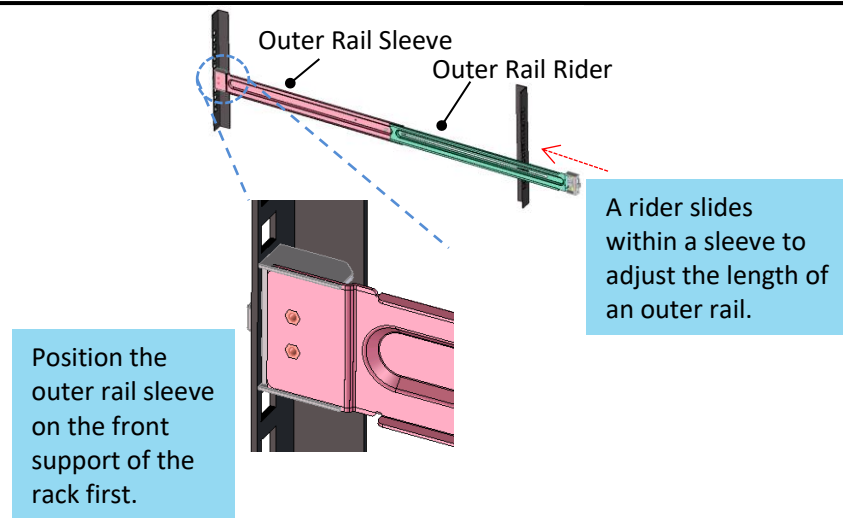
Step 1. Install the inner rails on the switch

Using flat head screws **M3** and **M4**, secure the inner rails to the switch.

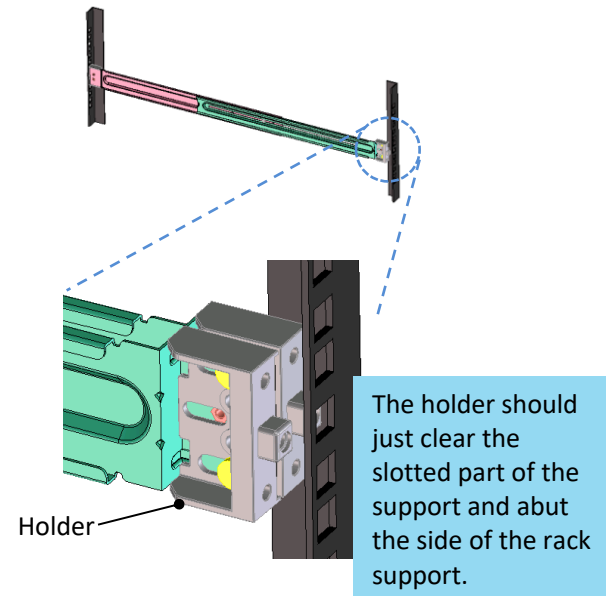


Step 2. Install the outer rails on the rack

2-1: The outer rails each include a sleeve and a rider. Extend an outer rail by sliding the rider outwardly from the sleeve. Before attaching the outer rider to the rack, it must be adjusted to the proper length. To make this adjustment, first place a tab which protrudes from the free end of the sleeve into a post hole slot on the front support of the rack such that tab is squarely in the slot at the desired position.



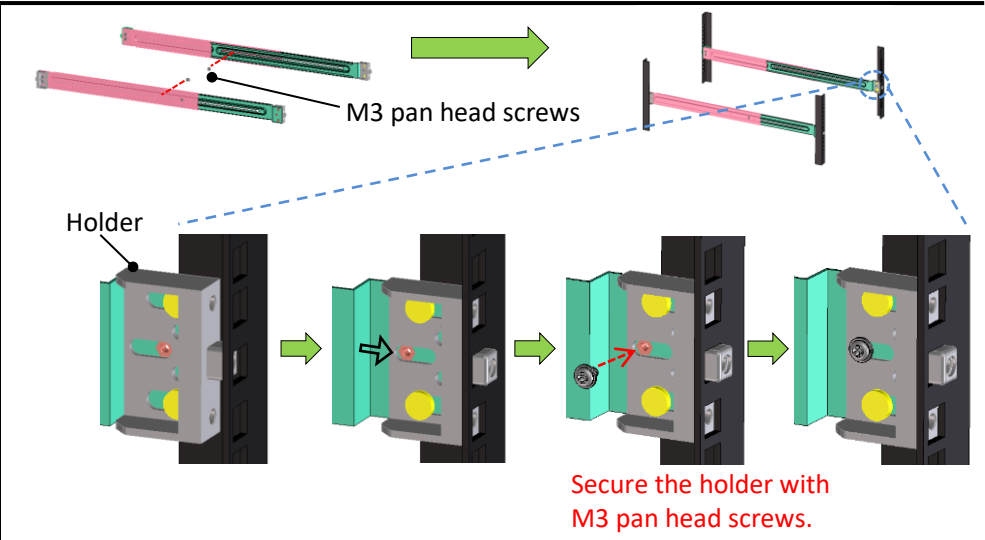
2-2: The free end of the rider includes a holder which can be extended from the rider. Ensure the holder is not extended at this point. Then, push the outer rail's rider inwardly until the holder can just clear the mounting slots of the rack's back support, but abuts the un-slotted side beam of the support.



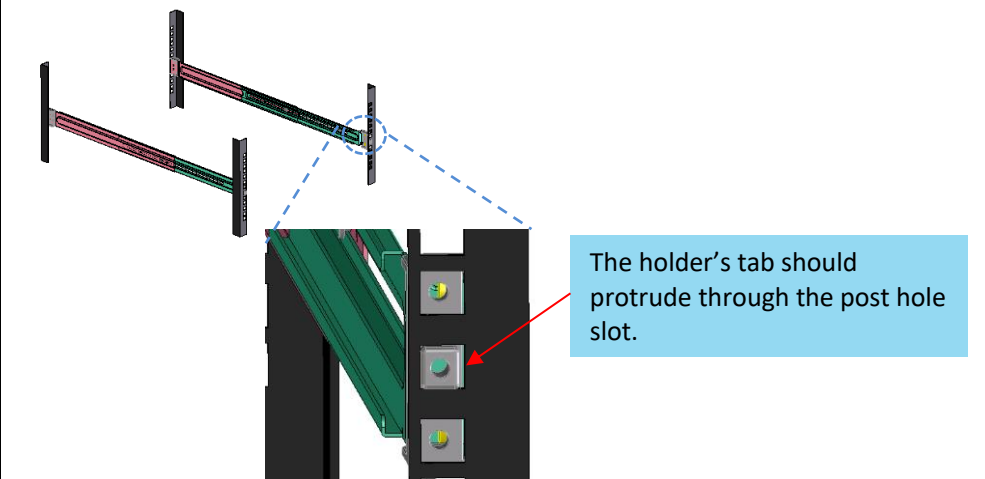
2-3: The outer rail is now the proper length. Without changing its length, take the outer rail off the rack.

2-4: Secure the sleeve to the rider with pan head screws M3 to maintain this length.

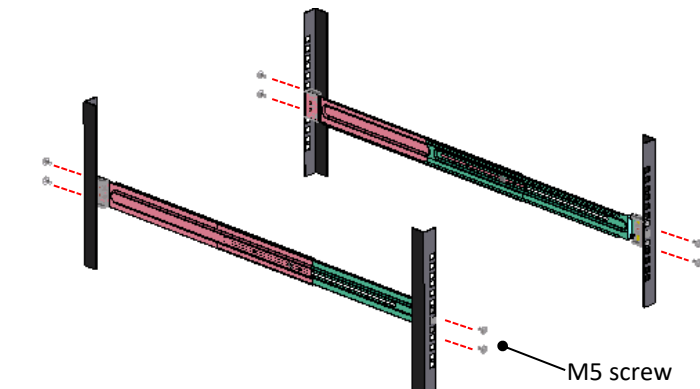
2-5: Once they have been adjusted for length, place both of the outer rails onto the rack.



2-6: The holder includes a tab which protrudes from its structure. Position the tab over the desired post-hole slot on the rack's rear support, then slide the holder's tab into the slot. Use a pan head screw M3 to lock the holder in place.



2-7: Secure both of the outer rails' sleeves and riders to the rack with screws **M5**, but don't lock the screws down too tightly (make sure the position of outer-rails can still be adjusted slightly).

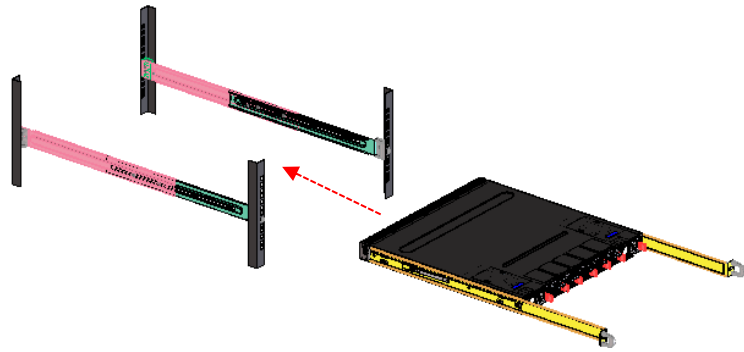


Step 3. Mounting the switch to the rack

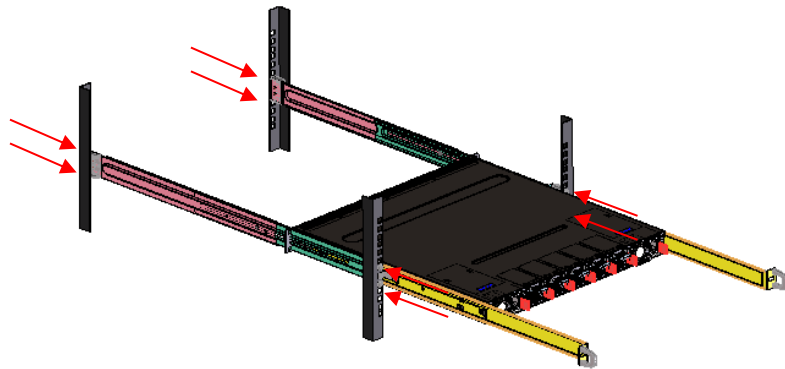
3-1: Test the fit of the switch in the rack by sliding the inner rails secured to the switch into the outer rails secured to the rack. Adjust as necessary.

Quick Installation Guide

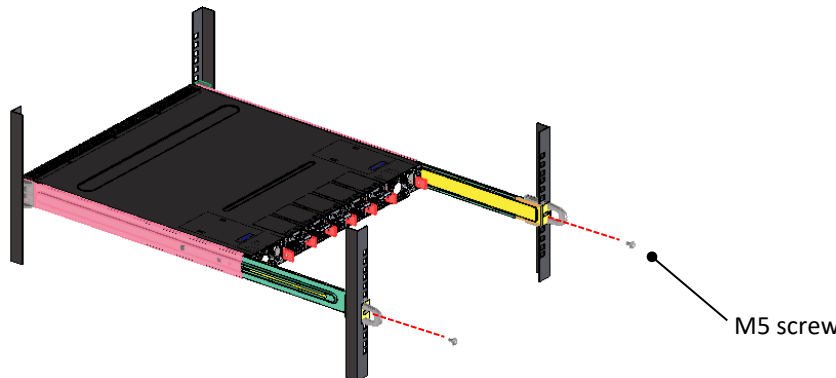
SSE-F3548S SSE-F3548SR



3-2: Once adjustments are made, tighten and lock down all the screws **M5** on the outer rail to the rack, and slide the switch in place.



3-3: Secure the inner rail to the rack with screws **M5**.



ETHERNET CABLING

Connect the required devices with the appropriate cables.

CONNECTING THE POWER CABLE

To connect a device to a power source:

1. Insert the Power Supply Unit (PSU) cable plug directly into the AC socket of a PSU located at the back of the switch.



Note: For electrical safety purposes, please pay attention to the following warning notices printed on the switch:

Caution: Disconnect the power cord from all power sources to completely remove power from the device.

Caution: If the installation requires a different power cord than the one supplied with the device, make sure you use a power cord displaying the mark of the safety agency that defines the regulations for power cords in your country. The mark is your assurance that the power cord can be used safely with the device.

2. Plug the other end of the cable into a grounded, 3-pin, AC power source.

Note: For use outside North America, you may need to change the AC line cord. You must use a line cord that has been approved for the connector type in your country.

3. Repeat steps 1 and 2 for the second PSU module. Two installed PSU modules operate in a load-sharing mode and provide 1+1 redundancy.

QUICK START-UP

To set up your management connection, the following parameters should be observed:

- Console Interface—make sure your console settings are 115200-N-8-1 (baud rate 115, 200 bps).

PHYSICAL CHARACTERISTICS

Network Interface:

Ports 1 – 48: 25 Gbps SFP28 transceiver slots

Ports 49 – 54: 100 Gbps QSFP28 transceiver slots

Transceivers: SFP28/QSFP28-SR, SFP28/QSFP28-LR

Direct Attach Cables can also be used in ports 1 – 54.

Weight: Net weight: 8.9 kg with 2 PSUs

LEDs:

- ID
- System
- Fan
- SFP28 Ports 1 – 48: Status (Link/Activity)
- QSFP28 Ports 49 – 54: Status (Link/Activity)

Size: W 445 × D 510 × H 44 mm

Temperature: Operating 0 °C to 45 °C

AC Input: 100 – 240 V~, 50 Hz – 60 Hz, 4.25 A max per PS

DC Output: +12 V === 44 A, +12 Vsb === 2.1 A

Power Supply:

100 – 240 V~, 8-4A, 50 Hz – 60 Hz, F2B 550 W @ +12 V === 44A, +12 Vsb === 2.1A per module

Power Consumption: 410 watts

COMPLIANCES

FCC part 15 Class A, ICES-003 Class A

EN 55032:2015 + AC: 2016, Class A

CISPR 32:2015 + COR1:2016, Class A

AS/NZS CISPR32:2015, Class A

EN 61000-3-2:2014, Class A

EN 61000-3-3:2013

EN 55024:2010+A1:2015

EN 61000-4-2:2009 / IEC 61000-4-2:2008 ED. 2.0

EN 61000-4-3:2006 +A1:2008 +A2:2010 / IEC 61000-4-3:2010 ED. 3.2

EN 61000-4-4:2012 / IEC 61000-4-4:2012 ED. 3.0

EN 61000-4-5:2014 / IEC 61000-4-5:2014 ED. 3.0

EN 61000-4-6:2014/ IEC 61000-4-6:2013 ED. 4.0

EN 61000-4-8:2010 / IEC 61000-4-8:2009 ED. 2.0

EN 61000-4-11:2004 / IEC 61000-4-11:2004 ED. 2.0

Safety: IEC/EN/CSA 60950-1


POWER CORD

Caution:

- Installation and removal of the unit must be carried out by qualified personnel only.
- The unit must be connected to a grounded outlet to comply with international safety standards.
- Do not connect the unit to an A.C. outlet (power supply) without a ground connection.
- The appliance coupler (the connector to the unit and not the wall plug) must have a configuration for mating with an IEC/EN 60320-1 appliance inlet.
- The socket outlet must be near to the unit and easily accessible. You can only remove power from the unit by disconnecting the power cord from the outlet.

CAUTIONARY MESSAGES

Caution:

-  Fiber Optic Port Safety. When using a fiber optic port, never look at the transmit laser while it is powered on. Also, never look directly at the fiber TX port and fiber cable ends when they are powered on.
 - This product does not contain any serviceable user parts.
 - Installation and removal of the unit must be carried out by

qualified personnel only.

- When connecting this device to a power outlet, connect the field ground lead on the tri-pole power plug to a valid earth ground line to prevent electrical hazards.
- This switch uses lasers to transmit signals over fiber optic cable. The lasers are compliant with the requirements of a Class 1 Laser Product and are inherently eye safe in normal operation. However, you should never look directly at a transmit port when it is powered on.
- Wear an anti-static wrist strap or take other suitable measures to prevent electrostatic discharge when handling this equipment.
- Do not plug a phone jack connector in the SFP28 port. This may damage this device.
- Use only twin-axial cables with SFP28 connectors that conform to FCC standards.
- This product may cause interference if used in residential areas. Such use must be avoided unless the user takes special measures to reduce electromagnetic emissions to prevent interference to the reception of radio and television broadcasts.

For more information and safety instruction, visit:

http://www.supermicro.com/about/policies/safety_information.cfm