

CONTACT INFORMATION

- Website: www.supermicro.com
- General Information: marketing@supermicro.com
- Technical Support: support@supermicro.com
- Phone: +1 (408) 503-8000, Fax: +1 (408) 503-8008

FOR YOUR SYSTEM TO WORK PROPERLY, PLEASE DOWNLOAD APPROPRIATE

- DRIVERS/IMAGES/USER'S MANUAL FROM THE LINKS BELOW:**
- Manuals: <http://www.supermicro.com/support/manuals>
 - Drivers & Utilities: <https://www.supermicro.com/wftp/driver/>
 - Safety: http://www.supermicro.com/about/policies/safety_information.cfm

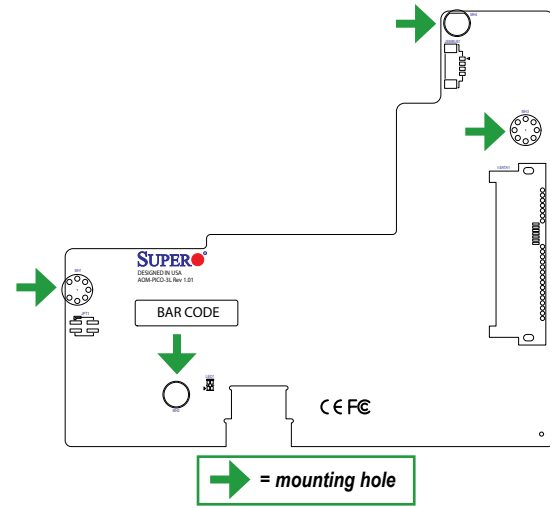
PACKAGE CONTENTS

- One (1) Supermicro Add-on Module
- One (1) Quick Reference Guide

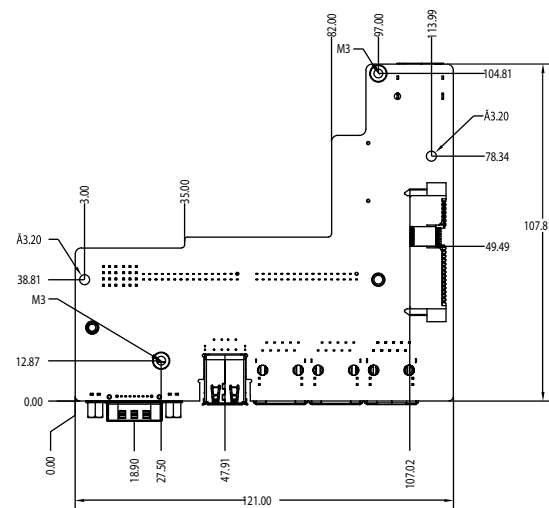


Add-on Module Layouts and Features

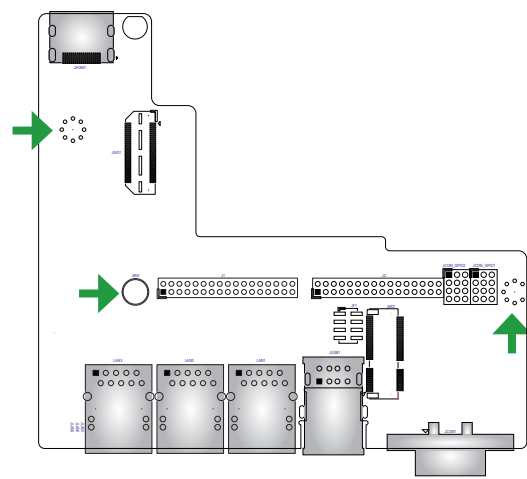
Top Layout



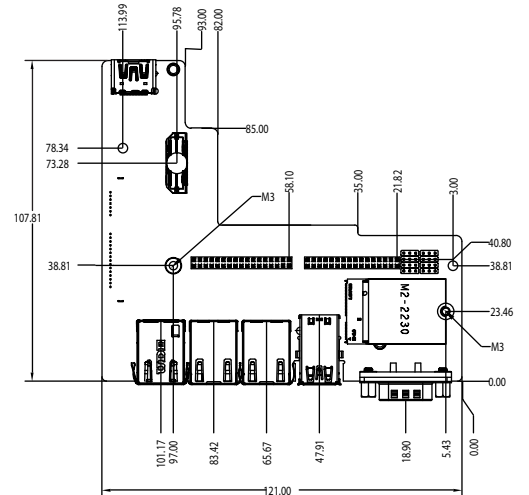
Top Mechanical Drawing



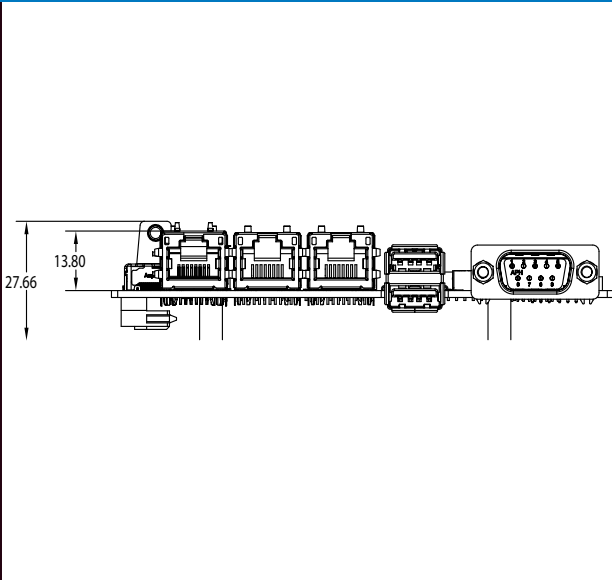
Bottom Layout



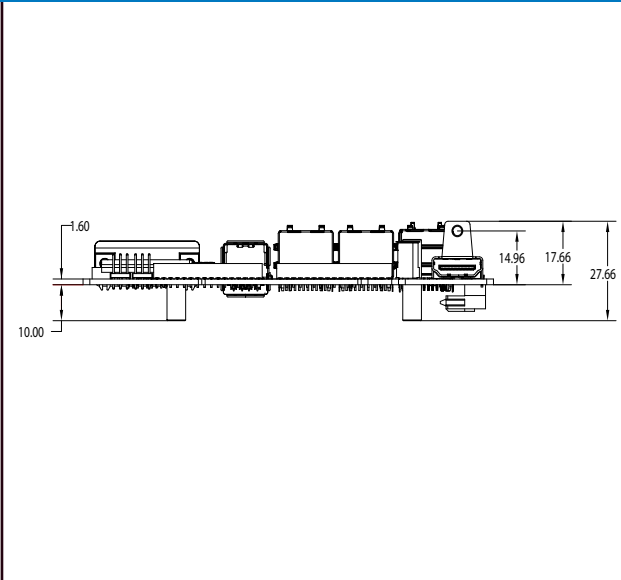
Bottom Mechanical Drawing



Add-on Module Drawing (Front I/O View)



Add-on Module Drawing (Back I/O View)



Jumpers and Connectors

Connectors

Connector	Description
J1	Stackable Pin Header A (Two RS232/422/485 and Mic-In/Line Out)
J2	Stackable Pin Header B (Two USB2.0/Front Panel/8-bit GPIO)
JCOM1	COM Ports (RS-232/422/485)
JEIO1	Supermicro Extension I/O Header (DP/HDMI, Two PCI-E x1, Two USB 2.0, LPC, SATA SMBus, Power) or 8 Bit GPIO (Select by JCOM-GPRIO1/2)
JF1	Front Control Panel Header (Power/HDD, LED/Reset, Power Button)
JHDMI1	High Definition Multimedia Interface (HDMI) Port
JMD1	M.2 Slot (E-KEY 2230) (Supports PCI-E x 1/USB 2.0)
JSMBUS1	System Management Bus Header
JUSB1	Two Back Panel USB 2.0 Ports
I-SATA1	Onboard SATA Connector
JLAN1/JLAN2/JLAN3	LAN1/LAN2/LAN3 (RJ45 LAN) Ports
MH1 - MH5	Mounting Holes

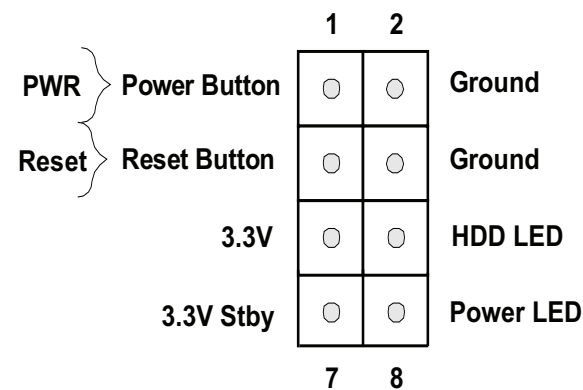
Jumpers

Jumper	Description	Default
JTP1	TPM Enable/Disable Header	Pin 1-2 (Enabled)
JCOM_GPRIO1/2	8-bit GPIO via DB9	Pins 2-3/5-6/8-9/11-12 (COM) (Default) Pins 1-2/4-5/7-8/10-11 (GPIO)

LED Indicators

LED	Description	Status
LED1	Power LED	Solid Green: Power ON

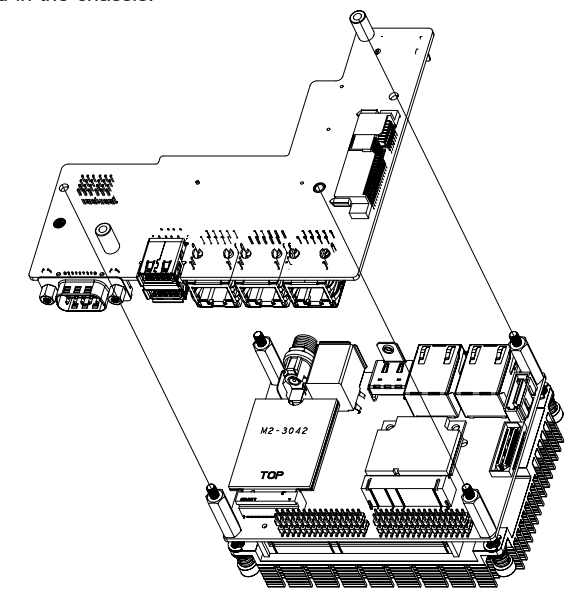
Front Control Panel (JF1)



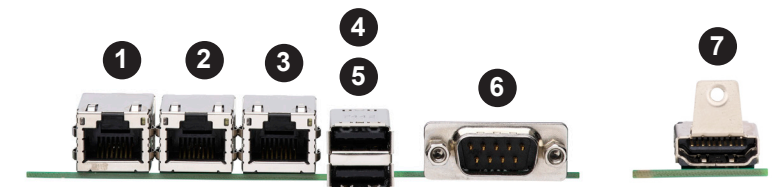
Add-on Card Installation

The AOM-PICO-3L is an add-on I/O module for Pico-ITX A2SAP-H motherboards. Follow the steps below to install the add-on card into your system.

- 1) Secure the AOM-PICO-3L to the chassis by using the standoff and screws.
- 2) Install the standoff between AOM-PICO-3L and A2SAP-H. The copper standoffs between AOM-PICO-3L and A2SAP-H are 9 mm in height.
- 3) Align Stackable Pin Header A/B (J1/J2 on AOM-PICO-3L) and EI/O connector on A2SAP-H and AOM-PICO-3L, and gently push down on both sides of Stackable Pin Header A/B and EI/O connector until tightly assembling each other.
- 4) Install memory on A2SAP-H.
- 5) Install heatsink or customer own thermal solution onto A2SAP-H. Place the heatsink directly on the CPU, and make sure the thermal grease is in contact with the CPU.
- 6) Make sure that the A2SAP-H and AOM-PICO-3L add-on card are securely placed in the chassis.



Front and Back Panel I/O Connectors



#	Definition	#	Definition	#	Definition
1	JLAN3	4	JUSB1 (2.0)	7	JHDM1 (Back I/O)
2	JLAN2	5	JUSB1 (2.0)		
3	JLAN1	6	JCOM1		

Note: Graphics shown in this quick reference guide are for illustration only. Your components may or may not look exactly the same as drawings shown in this guide.

Note: Refer to Chapter 1 of the User Manual for detailed information on jumpers, connectors, and LED indicators.

Note: Refer to Chapter 2 of the User Manual for detailed information on memory support and CPU/motherboard installation instructions.