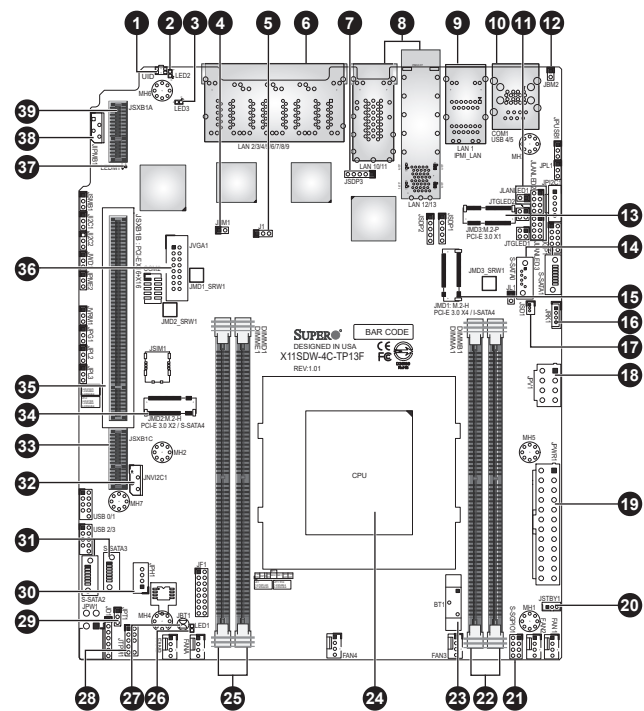


SUPERMICR® SuperServer 1019D-(4C-/14CN-/16C-)FHN13TP Quick Reference Guide

Board Layout



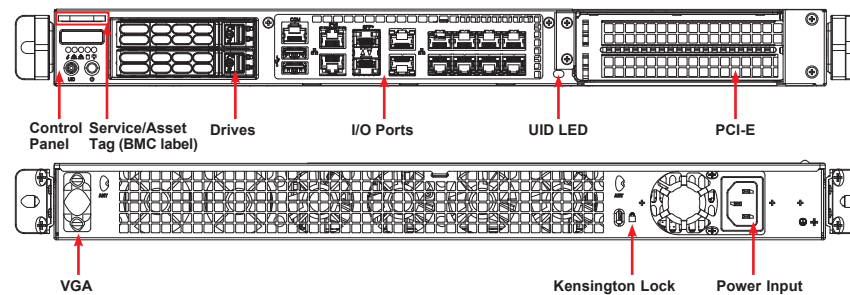
No.	Description
1	Unit Identifier Switch
2	UID LED
3	Overheat/Power Fail/Fan Fail LED
4	Disable IPMI Shared LAN
5	M.2 SMBus Enable/Disable
6	1G LAN Ports (from I350)
7	Software-Defined Pins (For I350 LAN2)
8	10G SFP+/10G LAN
9	1G LAN Ports(from I210) / Dedicated IPMI LAN Port
10	COM1/USB3.1
11	LAN Activity LED Header
12	Disable Dedicated IPMI/Shared LAN
13	M.2 Slot E-Key 2230 (USB2.0 / PCI-E x1)
14	SATA3.0
15	M.2 Slot M-Key 2280/22110 (SATA3.0 / PCI-E x4)
16	RAID Key
17	SATA DOM Power
18	12V 8-pin DC Power
19	24-pin ATX Power
20	Standby Power
21	Serial Link General Purpose I/O
22	DIMMA1~DIMMB1
23	Onboard Battery
24	CPU
25	DIMMD1~DIMME1
26	Power LED
27	CMOS Clear
28	Trusted Platform Module (TPM)/Port 80
29	TPM Enable/Disable
30	4-pin HDD Power
31	SATA3.0 Ports
32	Non-volatile Memory (NVM) I2C
33	WIO
34	M.2 Slot B-Key 2242/3042 Header
35	WIO, PCI-E X16+X16
36	VGA
37	BMC
38	System Management Bus (for IPMI only)
39	WIO

System Features

SuperServer Model Variation Table				
SuperServer Model	Motherboard Model	Chassis Model	Power Model	Power Wattage
1019D-FHN13TP	X11SDW-8C-TP13F	SC513BTS-350WB	PWS-350-1H	PWS-350-1H
1019D-4C-FHN13TP	X11SDW-4C-TP13F	SC513BTS-350WB	PWS-350-1H	PWS-350-1H
1019D-14CN-FHN13TP	X11SDW-14CNT-TP13F	SC513BTS-505WB	PWS-505P-1H	PWS-505P-1H
1019D-16C-FHN13TP	X11SDW-16C-TP13F	SC513BTS-505WB	PWS-505P-1H	PWS-505P-1H

System Features	
Motherboards	X11SDW-8C-TP13F for 1019D-FHN13TP X11SDW-4C-TP13F for 1019D-4C-FHN13TP X11SDW-14CNT-TP13F for 1019D-14CN-FHN13TP X11SDW-16C-TP13F for 1019D-16C-FHN13TP
Chassis	SC513BTS-350WB for 1019D-FHN13TP and 1019D-4C-FHN13TP SC513BTS-505WB for 1019D-14CN-FHN13TP and 1019D-16C-FHN13TP
CPU	Intel Xeon D-2146NT for 1019D-FHN13TP (in socket FCBGA2518) Intel Xeon D-2123IT for 1019D-4C-FHN13TP (in socket FCBGA2518) Intel Xeon D-2177NT for 1019D-14CN-FHN13TP (in socket FCBGA2518) Intel Xeon D-2183IT for 1019D-16C-FHN13TP (in socket FCBGA2518)
Memory	Supports up to 256GB of ECC RDIMM or 512GB of ECC LRDIMM DDR4 memory Speeds of up to 2133MHz for 1019D-FHN13TP Speeds of up to 2400MHz for 1019D-4C-FHN13TP and 1019D-16C-FHN13TP Speeds of up to 2667MHz for 1019D-14CN-FHN13TP
Chipset	System on Chip
Expansion Slots	Two PCI-E3.0 x16 One M.2 M-Key 2280/110 (PCI-E3.0 x4/SATA3) One M.2 B-Key 2242/3042 (USB2.0 / USB3.0 / SATA3.0 / PCI-E3.0 x2) One M.2 E-Key 2230 (USB2.0 / PCI-E3.0 x1)
Storage Drives	Two hot-swap 2.5" drives Two internal fixed 2.5" solid-state disk drives One M.2 M-Key 2280/110 (PCI-E3.0 x4/SATA3)

Front View and Rear Features

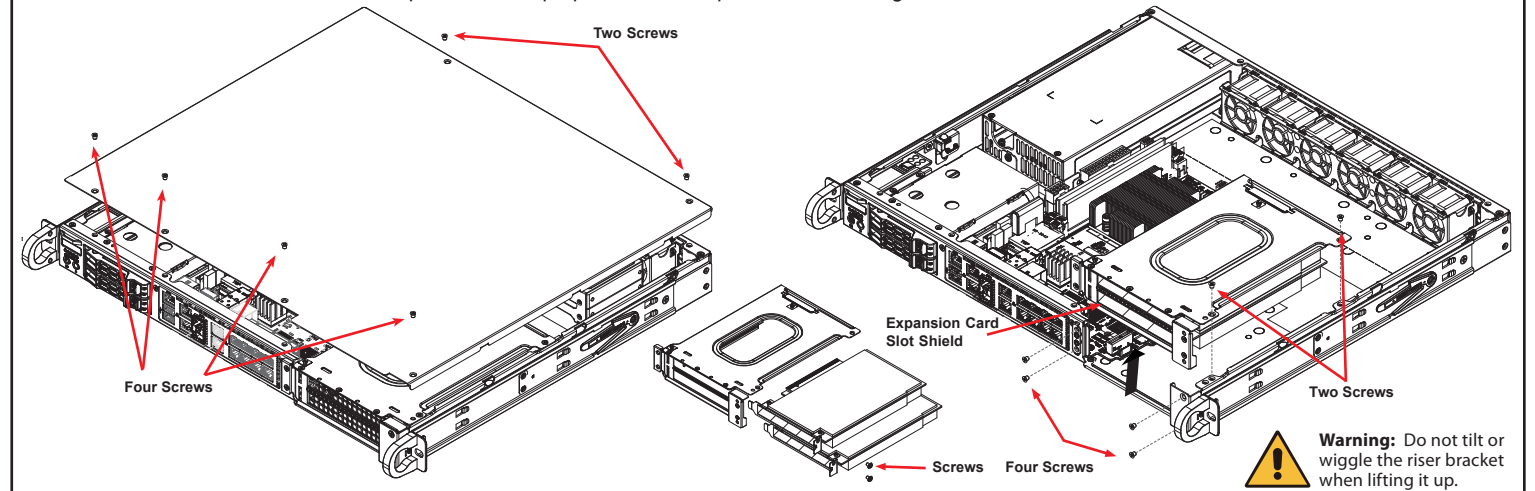


Front View Control Panel

Control Panel Features		
Item	Features	Description
1	Informational LED	Indicates one of multiple conditions
2	NIC2 LED	Indicates network activity on LAN port 2 when flashing.
3	NIC1 LED	Indicates network activity on LAN port 1 when flashing.
4	HDD LED	Indicates hard drive activity when flashing.
5	Power LED	Indicates power is being supplied to the system power supply.
6	UID Button	The UID is used to switch/turn on/turn off UID LED next to the PCI-E slots.
7	Power	The main power button is used to apply or remove power from the power supply to the server.

Accessing the System and installing the add-on Card

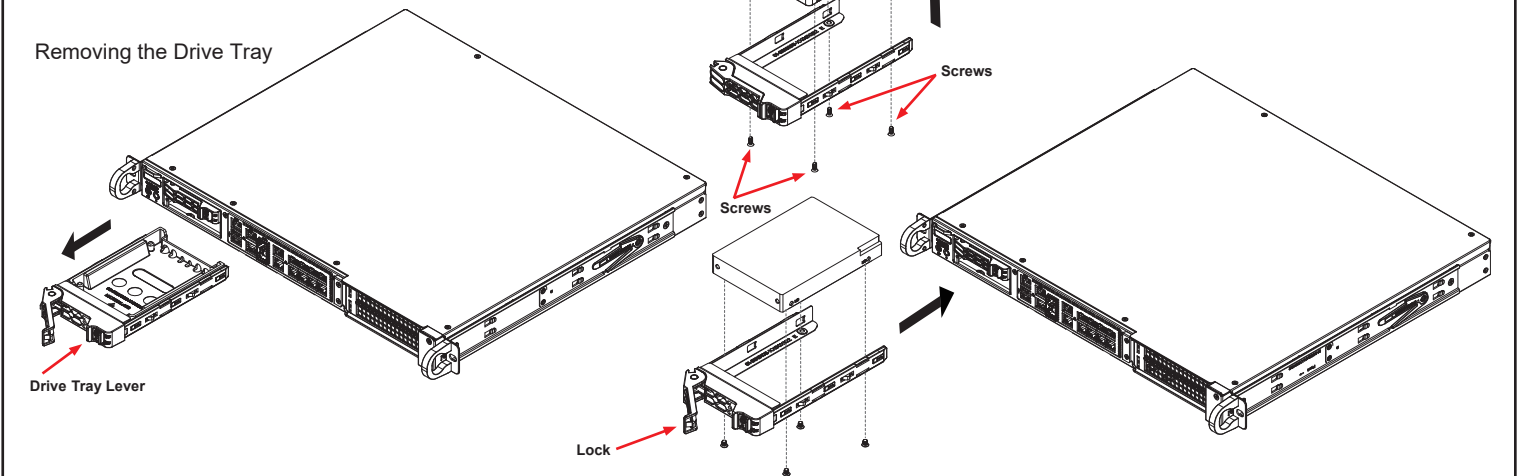
Accessing the Main System After disconnecting power, remove the six screws from top cover, slide the cover back towards the rear of the chassis. Lift the cover upwards and off the chassis.
Caution: Except for short periods of time, do not operate the server without the cover in place. The cover must be in place to allow proper airflow and prevent overheating.



Installing the Drives

Components of the Expansion Card Module

The chassis supports two 2.5" hot-swappable hard disk drives. Only enterprise-level hard drives are recommended.

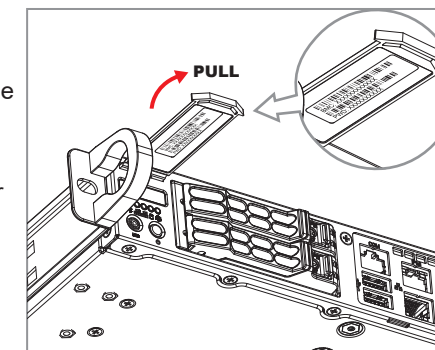


BMC Password Label

Pull-out tag with BMC unique password underneath.

Each system comes with a unique default password for the ADMIN user. This can be found on a sticker on the motherboard and a sticker underneath the service tag on chassis. If necessary, the password can be reset by the Supermicro IPMICFG tool.

For more information, please visit <https://www.supermicro.com/en/solutions/management-software/bmc-resources>



Caution

SAFETY INFORMATION
IMPORTANT: See installation instructions and safety warning before connecting system to power supply. http://www.supermicro.com/about/policies/safety_information.cfm

WARNING:
To reduce risk of electric shock/damage to equipment, disconnect power from server by disconnecting all power cords from electrical outlets. If any CPU socket empty, install protective plastic CPU cap.

WARNING:
Always be sure all power supplies for this system have the same power output. If mixed power supplies are installed, the system will not operate.

For more information go to: <http://www.supermicro.com/support>

