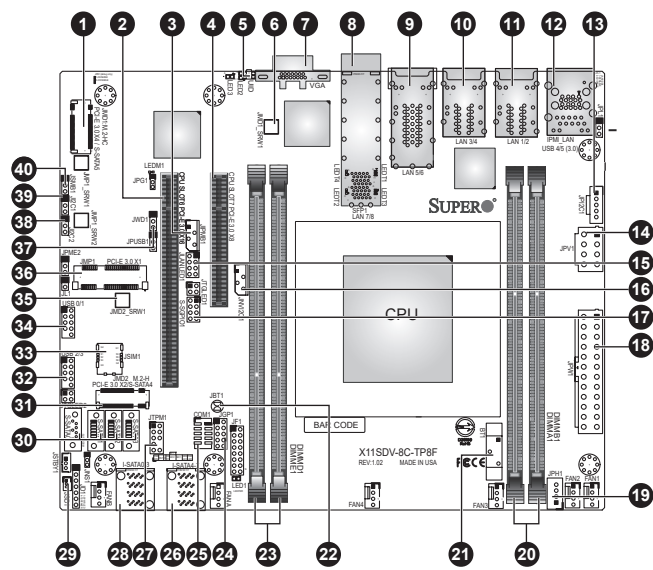


SUPERMICR[®] SuperServer 5019D-RN8TP Quick Reference Guide

Board Layout



No.	Jumper & Description
1	JMD1: M.2 PCI-E 3.0 x4, S-SATA5 Connector (M-Key 2280)
2	SLOT6: CPU PCI-E 3.0 x16 Slot
3	JIPMB1: System Management Bus Header (for IPMI only)
4	SLOT7: CPU PCI-E 3.0 x8 Slot
5	UID: Unit Identifier Button
6	JMD1_SRW1: M.2 Holding Screws
7	VGA: VGA Port
8	LAN7/8: 10G SFP+ LAN Ports
9	LAN5/6: 10GbE (RJ45) LAN Ports
10	LAN3/4: 1GbE (RJ45) LAN Ports
11	LAN1/2: 1GbE (RJ45) LAN Ports
12	IPMI/USB4/5 (3.0): 10Gigabit Ethernet (RJ45) Ports
13	JPC2: Power IPC System Management Bus (Power SMB) Header
14	JPV1: 12V 8-pin DC Power Connector
15	JLANLED1: LAN1 - LAN4 Activity LED Header
16	JNVIPC1: NVMe IPC Header
17	S-SGPIO1: Serial General Purpose I/O Header for S-SATA0-3
18	JPW1: 24-pin ATX Main Power Connector
19	JPH1: 4-pin Power Connector for HDD use
20	DIMMB1-DIMMA1
21	BT1: Onboard Battery
22	JBT1: CMOS Clear
23	DIMMD1-DIMME1
24	JGP1: General Purpose I/O Header
25	COM1: COM Header
26	I-SATA4-7: Eight Intel® PCH SATA 3.0 Ports or Two NVMe U.2 Ports
27	JTPM1: Trusted Platform Module (TPM)/Port 80 Connector
28	I-SATA0-3: Eight Intel® PCH SATA 3.0 Ports or Two NVMe U.2 Ports
29	JSD1: SATA Disk On Module (DOM) Power Connector
30	S-SATA0 - S-SATA3: SATA 3.0 Ports
31	JMD2: PCI-E 3.0 x2/USB 3.0, S-SATA4 Connector (B-Key 3042)
32	USB2/3: Front Accessible USB 2.0 Headers
33	JSIM1: Nano SIM Slot for M.2 B-Key WAN card support
34	USB0/1: Front Accessible USB 2.0 Headers
35	JMD2_SRW1: M.2 Holding Screws
36	JMP1: Mini PCI-E x1 Connector
37	JWD1: Watch Dog
38	JPC2: SMB to PCI-E Slots Enable/Disable
39	JPC1: SMB to PCI-E Slots Enable/Disable
40	JSMB1: System Management Bus Header

System Features

Motherboard	Chassis	Chipset
X11SDV-8C-TP8F	CSE-506-R300	System on Chip
CPU	BIOS	
Intel Xeon D-2146NT 8C 80W	128Mb SPI Flash with AMI BIOS®	
Memory		
Supports up to 512GB of ECC RDIMM or LRDIMM DDR4 with speeds of up to 2666MHz in four memory slots		
Expansion Slots		
One PCI-E 3.0 x8 expansion slot One M.2 M-key (2280) One M.2 B-key for WAN or 4G-LTE module		
Storage Drives		
Supports up to two 2.5" hot-swappable drives		
Power Supply		
300W AC Redundant Power Supply		
Input/Output Ports		
One dedicated IPMI One VGA and Onboard TPM header Two USB 3.0 Four 1GbE, two 10G based-T, two 10G SFP+		
Cooling		
Three internal fixed 40 x 28mm fans		
Dimensions		
(W x H x D) 17.2 x 1.7 x 9.8in (437 x 43 x 249mm) 1U Short-Depth Chassis		

Front View Control Panel

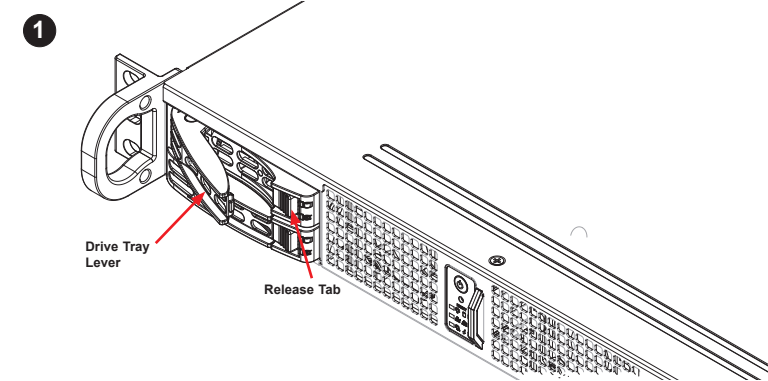
Item	Features	Description
1	Power button	The main power switch applies or removes primary power from the power supply to the server but maintains standby power
2	Reset Button	System reset button
3	Power LED	Indicates power is being supplied to the system power supply units
4	HDD LED	Indicates hard disk drive activity when flashing
5	NIC LED	Indicates network activity on the LAN when flashing
6	Information LED	Alerts operator to several states, as noted in the table on the next page
7	Overheat LED	If this indicator is continuously on and red, an overheat condition has occurred

Drive LEDs

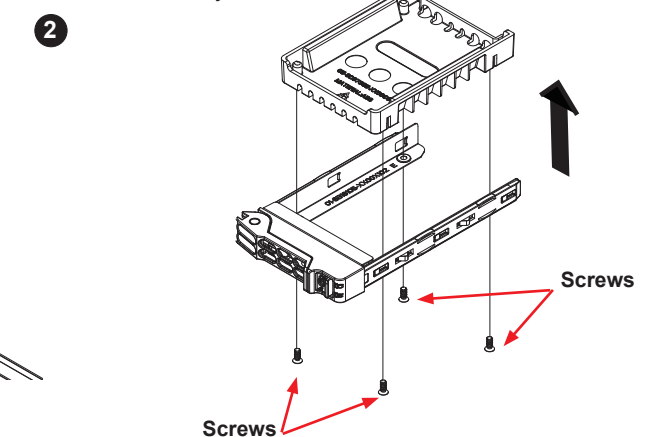
Item	Feature	Description
1	SSD LED	Indicates drive activity when flashing
2	Fail/Locate LED	Indicates drive failure when solid, locates the drive when blinking

2.5" Hot-Swappable Hard Drives

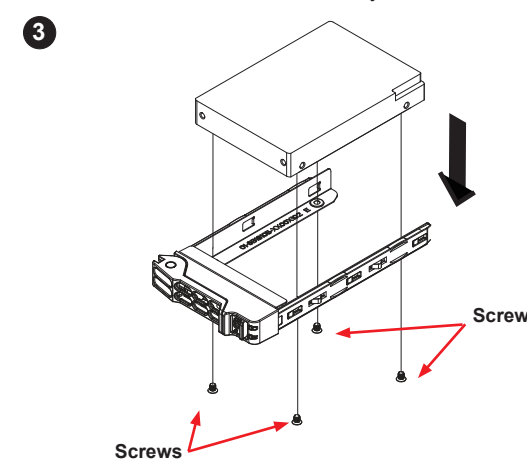
Press the release tab and use the lever to pull the drive tray out of the chassis.



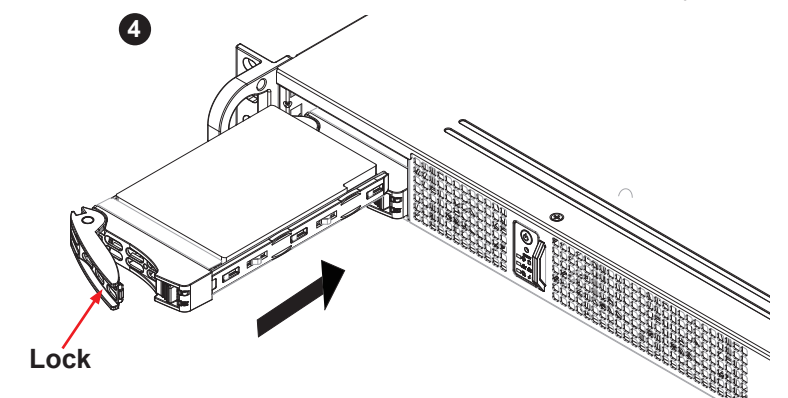
Remove the four screws and lift the dummy hard drive insert from the drive tray.



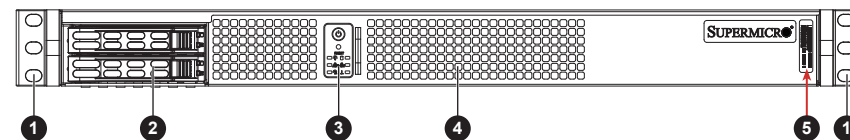
Install the drive into the drive tray and secure it with screws.



Insert the drive into the chassis and lock the drive tray.

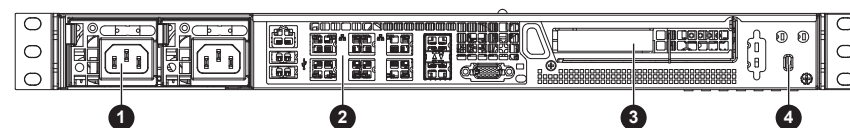


Front View



Item	Feature	Description
1	Rack Ear Brackets	Secures the server to the rack
2	Solid-State Drive	Two hot-swap 2.5" drives with LEDs (highlighted in orange, table below)
3	Control Panel	Front control panel with LEDs and buttons (see the previous page)
4	Fans	Two internal fixed 40 x 28mm fans plus one optional fan
5	Password Label	Unique BMC password label

Rear View



Rear Chassis Features		
Item	Feature	Description
1	Power Supplies	300W AC redundant power supplies
2	I/O Rear Panel	Rear panel for I/O devices supported on the motherboard (see Chapter 4).
3	PCI-E Slot	One standard height PCI-E expansion slot
4	Security slot	Kensington® Security Lock

Beep Code

BIOS Beep (POST) Codes		
Beep Code	Error Message	Description
1 beep	Refresh	Circuits have been reset (Ready to power up)
5 short, 1 long	Memory error	No memory detected in the system
5 long, 2 short	Display memory read/write error	Video adapter missing or with faulty memory
1 long continuous	System OH	System overheat condition

Caution

SAFETY INFORMATION
IMPORTANT: See installation instructions and safety warning before connecting system to power supply.
http://www.supermicro.com/about/policies/safety_information.cfm

WARNING:
 To reduce risk of electric shock/damage to equipment, disconnect power from server by disconnecting all power cords from electrical outlets.
 If any CPU socket empty, install protective plastic CPU cap.

WARNING:
 Always be sure all power supplies for this system have the same power output. If mixed power supplies are installed, the system will not operate.

For more information go to:
<http://www.supermicro.com/support>
<https://www.supermicro.com/manuals/superserver/1U/MNL-2294.pdf>

