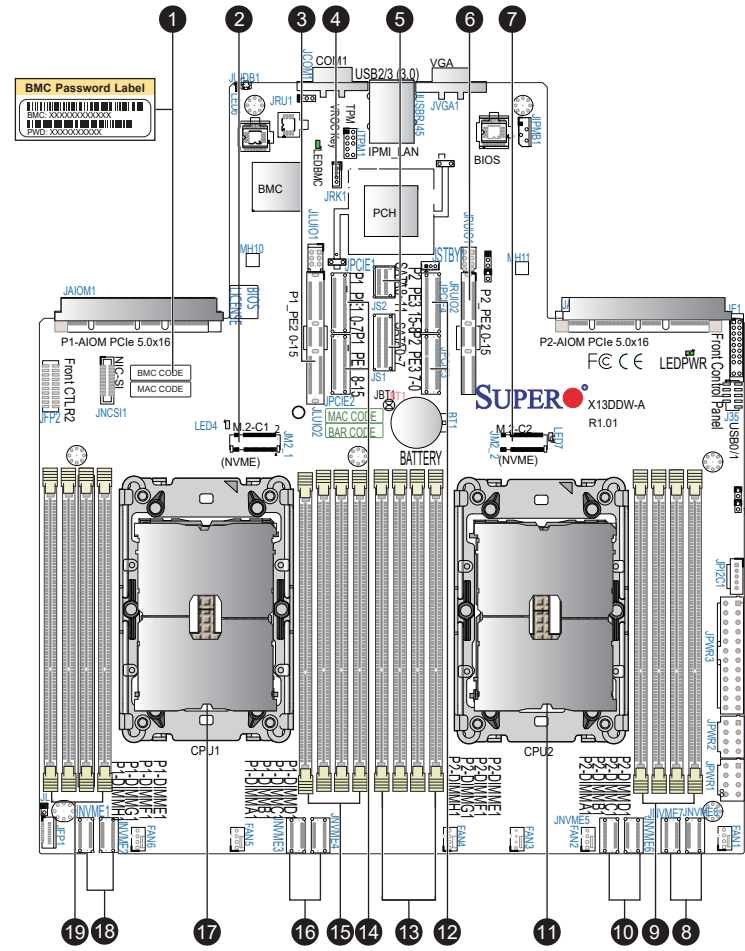


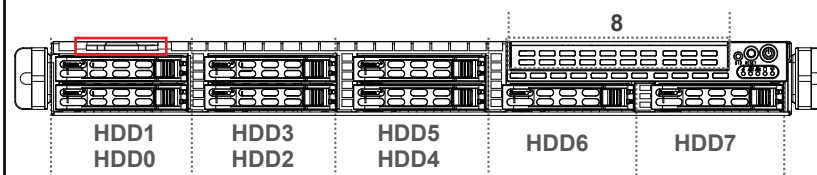
SUPERMICRO® SuperServer 121C-TN2R Quick Reference Guide

Board Layout



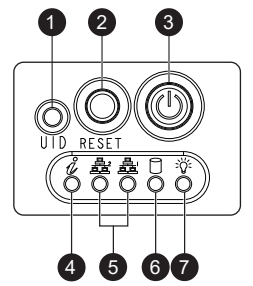
No.	Description
1	BMC Password Label
2	PCIe 5.0 x4 NVMe M.2 2280 M key slot from CPU1
3	PCIe 5.0 x16 left add-on card slot supported by CPU1
4	JRK1: RAID Key for onboard NVMe devices
5	SATA 0-11 ports supported by PCH
6	P2-DIMMA1/P2-DIMMB1/P2-DIMMC1/P2-DIMMD1 slots
7	PCIe 5.0 x4 NVMe M.2 2280 M key slot from CPU1
8	NVMe PCIe 5.0 x4 MCIO port (from CPU2)
9	Right side PCIe 5.0 x16 riser card slot supported by CPU2
10	NVMe PCIe 5.0 x4 MCIO port (from CPU2)
11	CPU2
12	PCIe 5.0 x8 MCIO connector supported by CPU2
13	P2-DIMMH1/P2-DIMMG1/P2-DIMMF1/P2-DIMME1 slots
14	PCIe 5.0 x8 MCIO connector supported by CPU1
15	P1-DIMMB1/P1-DIMMA1/P1-DIMMD1/P1-DIMMC1 slot
16	NVMe PCIe 5.0 x4 MCIO ports (from CPU1)
17	CPU1
18	NVMe PCIe 5.0 x4 MCIO ports (from CPU1)
19	P1-DIMMH1/P1-DIMMG1/P1-DIMMF1/P1-DIMME1 slots

Front View and Features



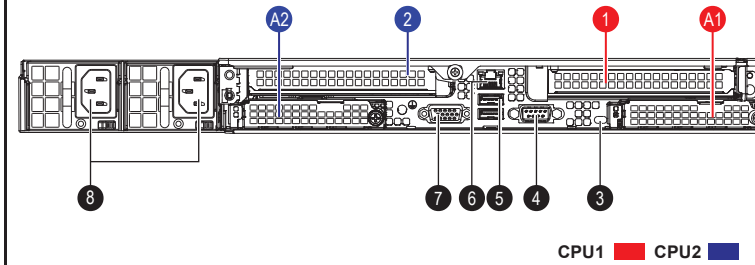
Slot	Description
0~5	Six 2.5-inch front drive bays (SAS/SATA)
6~7	Two 2.5-inch hybrid front drive bays (NVMe/SAS/SATA)*
8	DVD (optional)

* Additional parts needed depending on drive type



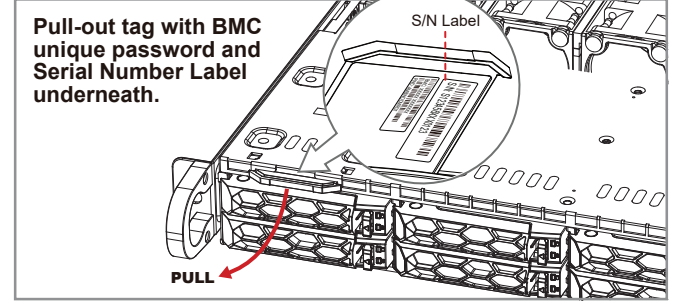
No.	Description
1	UID Button
2	Reset Button
3	Power Button
4	Universal Information LED
5	NIC1 and NIC2 LED
6	NIC1 LED
7	HDD LED
8	Power LED
9	Device Activity LED
10	Device Status LED
11	Service/Asset Tag, Pull-out identifier (with BMC ADMIN default password underneath)

Rear View and Features



No.	Description
1	PCIe 5.0 x16 slot: full-height, half-length (CPU1)
2	PCIe 5.0 x16 slot: full-height, half-length (CPU2)
A1	PCIe 5.0 x16 OCP 3.0 AIOM slot (CPU1)
A2	PCIe 5.0 x16 OCP 3.0 AIOM slot (CPU2)
3	UID LED/BMC Reset
4	COM Port
5	USB Ports
6	Dedicated IPMI LAN Port
7	VGA Port
8	Power Supplies

BMC Password Label



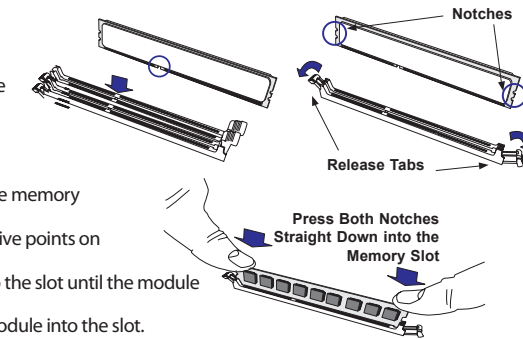
Each system comes with a unique default password for the ADMIN user. This can be found on a sticker on the motherboard and a sticker underneath the service tag on chassis. If necessary, the password can be reset by the Supermicro IPMICFG tool.

For more information, please visit <https://www.supermicro.com/en/solutions/management-software/bmc-resources>

Memory

DIMM Installation

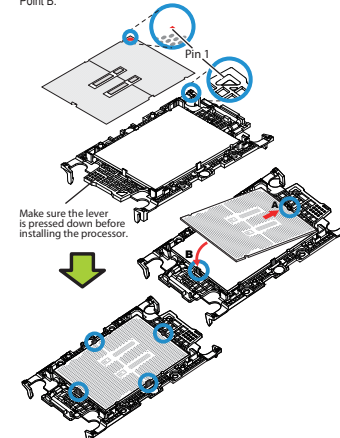
- Insert the desired number of DIMMs into the memory slots in order as defined in the system manual. For the best performance, please use the memory modules of the same type and speed.
- Push the release tabs outwards on both ends of the DIMM slot to unlock it.
- Align the key of the DIMM module with the receptive point on the memory slot.
- Align the notches on both ends of the module against the receptive points on the ends of the slot.
- Press the notches on both ends of the module straight down into the slot until the module snaps into place.
- Press the release tabs to the lock positions to secure the DIMM module into the slot.



CPU Installation

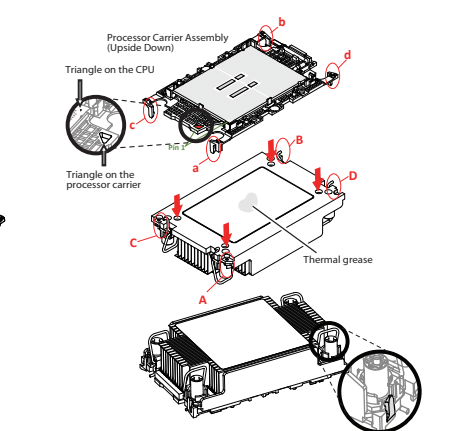
A. Creating the Intel Sapphire Rapids CPU Carrier Assembly

- Locate small gold triangle (Pin 1) on processor and corresponding hollowed triangle on carrier.
- Using the triangles as a guide, carefully align and place Point A of the processor into the carrier. Gently snap into place to fasten onto Point B.



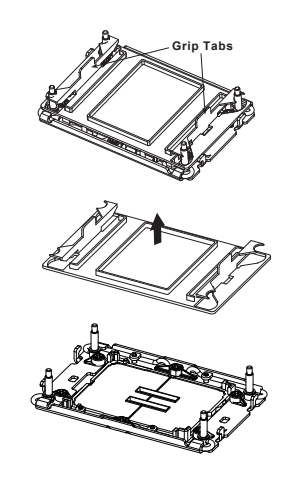
B. Assembling the Processor Heatsink Module (PHM)

- If this is a new heatsink, the thermal grease has been reapplied. Otherwise, apply the proper amount of thermal grease.
- Hold the processor carrier assembly so the processor's gold contacts are facing up, then align the holes of the processor carrier assembly with the holes on the heatsink. Press the processor carrier assembly down until it snaps into place. The plastic clips of the processor carrier assembly will lock at the four corners.
- Examine all corners to ensure that the plastic clips on the processor carrier assembly are firmly attached to the heatsink.



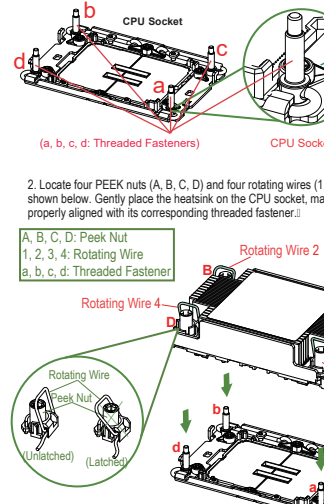
C. Preparing the CPU Socket for Installation

- Gently pull off the plastic protective cover by one corner to remove it from the CPU socket.

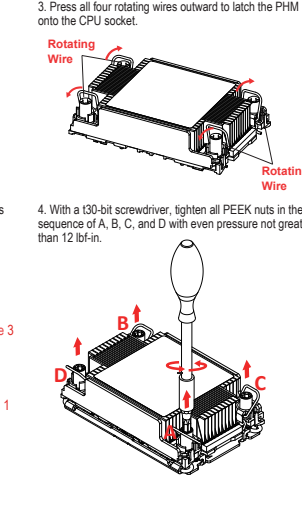


D. Installing the Process Heatsink Module

- Locate four threaded fasteners (a, b, c, d) on the CPU socket.



- Press all four rotating wires outward to latch the PHM onto the CPU socket.



Caution

SAFETY INFORMATION:
IMPORTANT: See installation instructions and safety warning before connecting system to power supply. http://www.supermicro.com/about/policies/safety_information.cfm

WARNING:
To reduce risk of electric shock/damage to equipment, disconnect power from server by disconnecting all power cords from electrical outlets. If any CPU socket empty, install protective plastic CPU cap.

CAUTION:
Always be sure all power supplies for this system have the same power output. If mixed power supplies are installed, the system will not operate.

CAUTION:
This unit has redundant power sources. Please disconnect all the power cords before servicing.

Resources

PRODUCT RESOURCES:
For more information go to: <http://www.supermicro.com/support>

