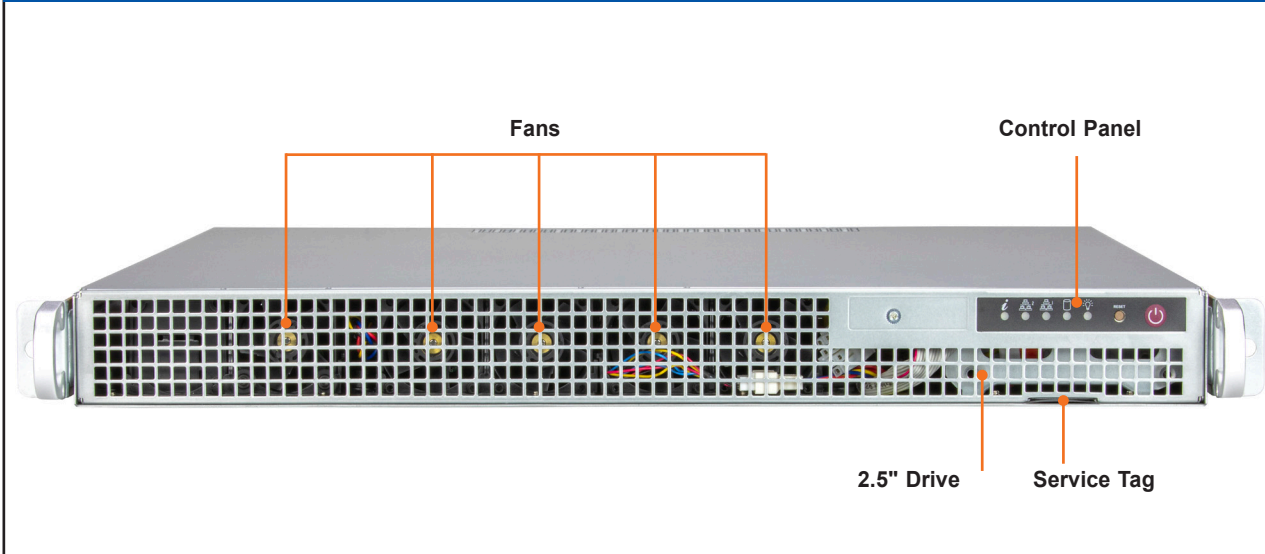
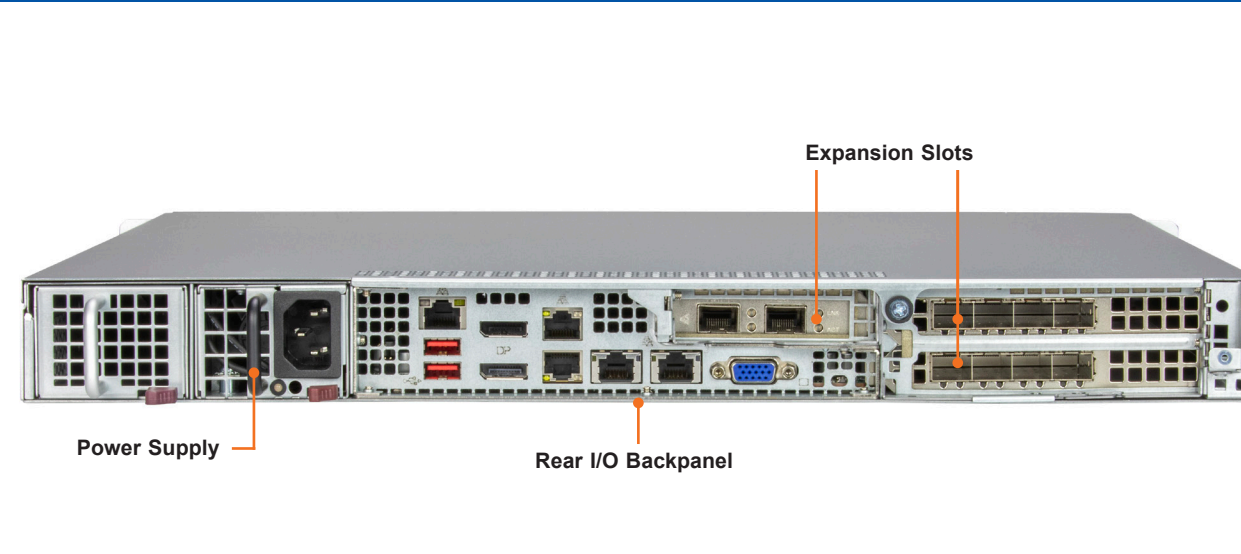


# SUPERMICR® SuperServer® SYS-111AD-WRN2 Quick Reference Guide

## Front Features



## Rear Features

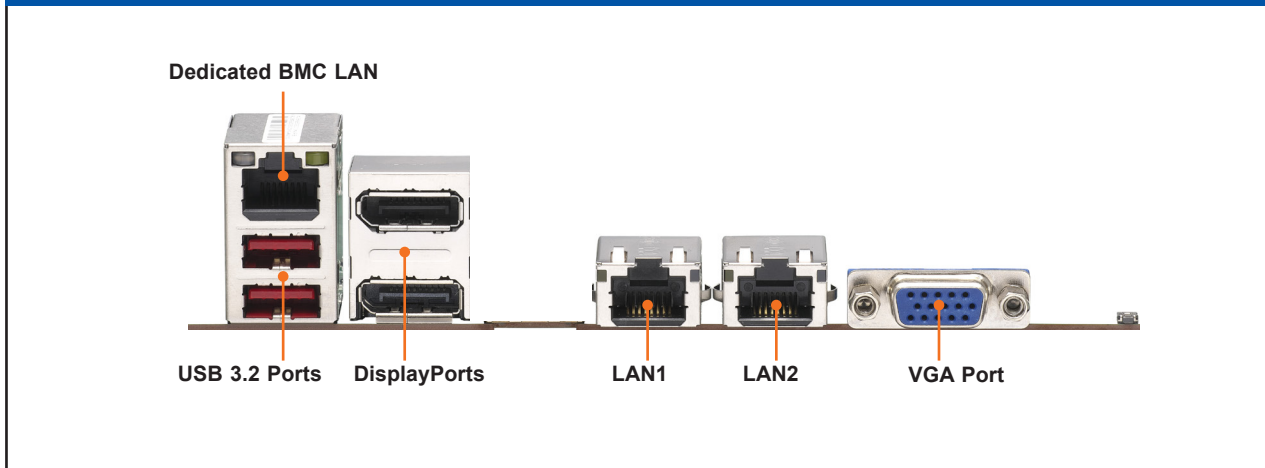


## BMC Password

Each system comes with a unique default password for the ADMIN user. This can be found on a sticker on the motherboard and another on the chassis service tag. If necessary, the password can be reset.

For more information, please visit <https://www.supermicro.com/en/solutions/management-software/bmc-resources>

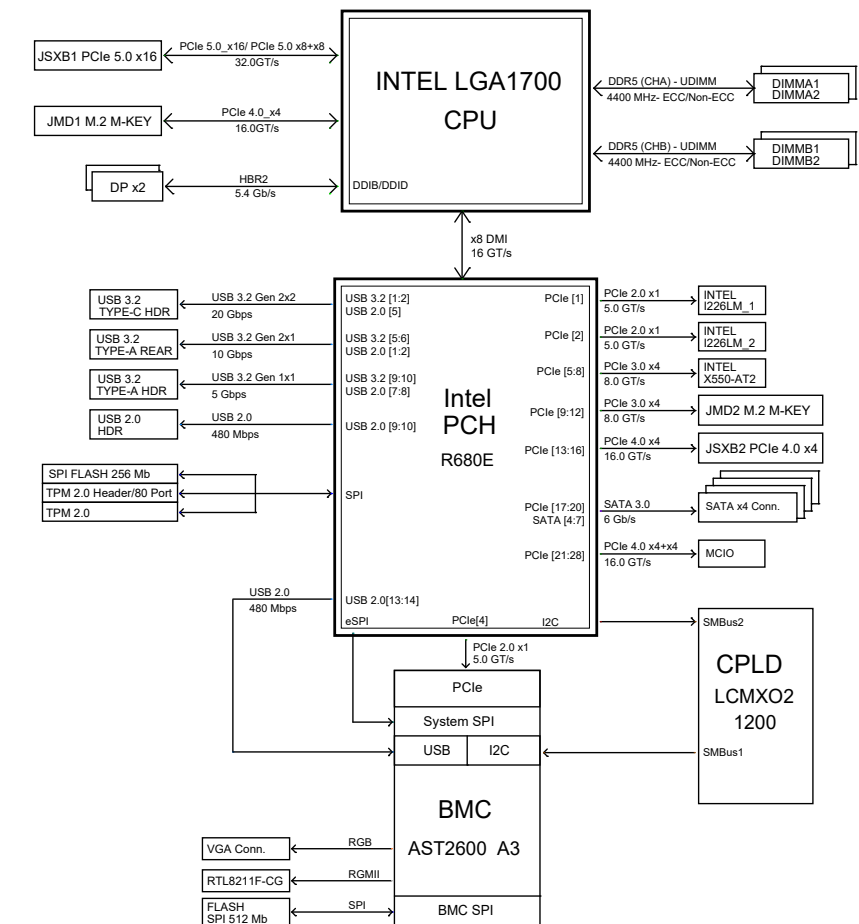
## I/O Panel



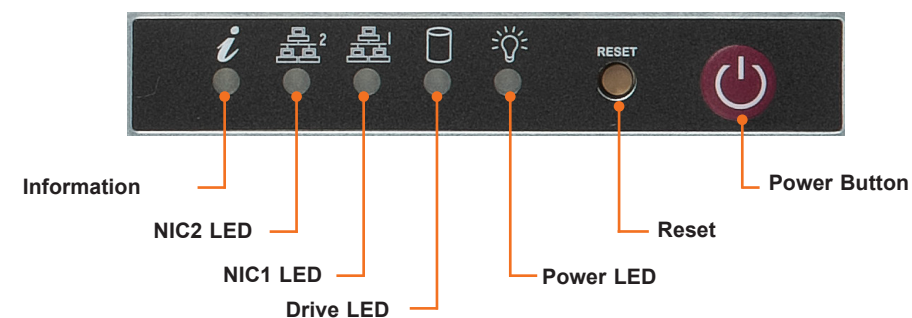
## Product Page



## System Block Diagram



## Control Panel



## System Overview

<b>Motherboard</b>	X13SAW-F
<b>Chassis</b>	CSE-514-R00RWNP
<b>Processor Support</b>	Single LGA 1700 14th/13th/12th Gen Intel® Core™ i9/i7/i5/i3 Processor
<b>Chipset</b>	Intel R680E chipset
<b>Memory</b>	Up to 128 GB ECC/non-ECC DDR5 UDIMM memory in four DIMM slots
<b>Drive Support</b>	Two internal fixed 2.5" NVMe/SAS/SATA drive bays M.2: One M.2 PCIe 3.0 x4 NVMe slot (M-key 2280) One M.2 PCIe 4.0 x4 NVMe slot (M-key 2280/22110)
<b>Expansion Slots</b>	Two PCIe 5.0 x8 FHFL slots (with riser card, x16 if only one slot occupied) One PCIe 4.0 x4 HHHL slot (with riser card)
<b>I/O Ports</b>	One RJ45 1 GbE Dedicated IPMI LAN port Two RJ45 2.5 GbE LAN port Two USB 3.2 ports One VGA ports Two DisplayPort ports
<b>System Cooling</b>	Five heavy-duty counter-rotating fans
<b>Power</b>	One 800 W 80Plus Platinum level power supply
<b>Form Factor</b>	1.7" x 17.2" x 16.9" (43 x 437 x 429 mm) (H x W x D)

## Information LED

Color, Status	Description
Red, solid	An overheat condition has occurred.
Red, blinking at 1 Hz	Fan failure, check for an inoperative fan.
Blue, solid	UID has been activated locally to locate the server in a rack environment.
Blue, blinking at 1 Hz	UID has been activated using the BMC to locate the server in a rack environment.