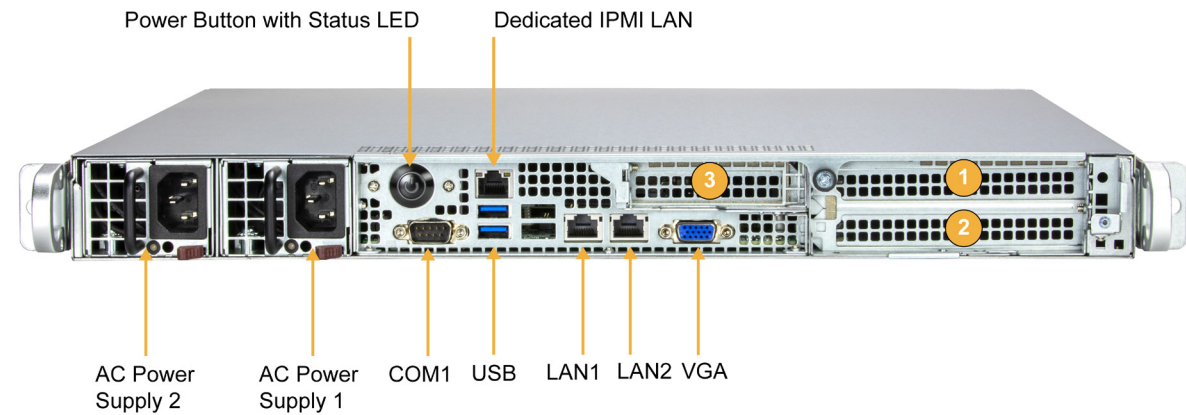


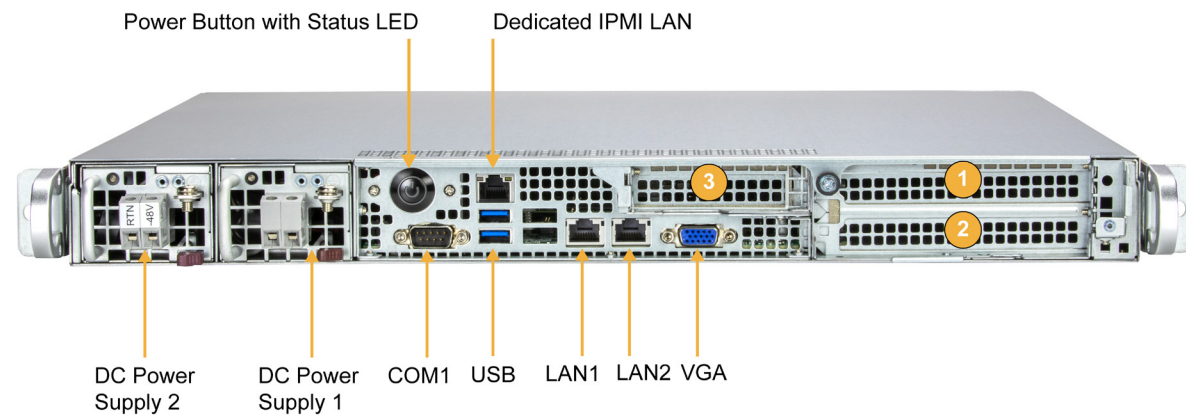
# SUPERMICR<sup>®</sup> SuperServer<sup>®</sup> SYS-112B-FWT/FDWR Quick Reference Guide

## Front Features

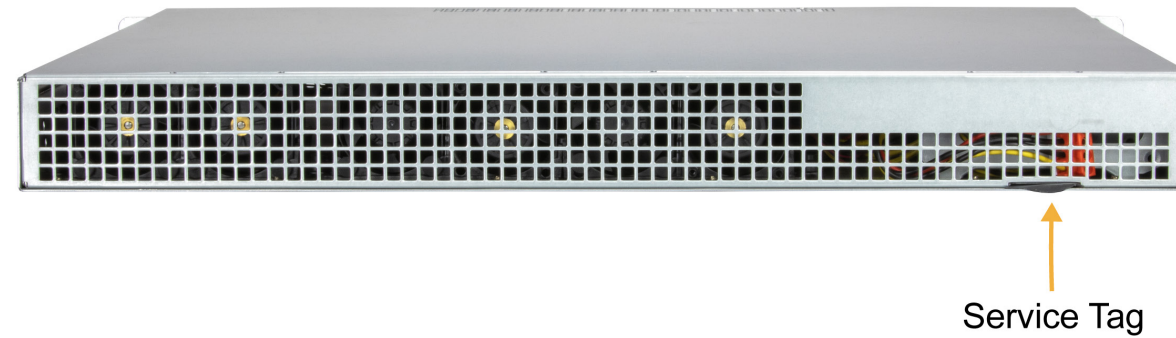
### SYS-112B-FWT



### SYS-112B-FWDR



## Rear Features

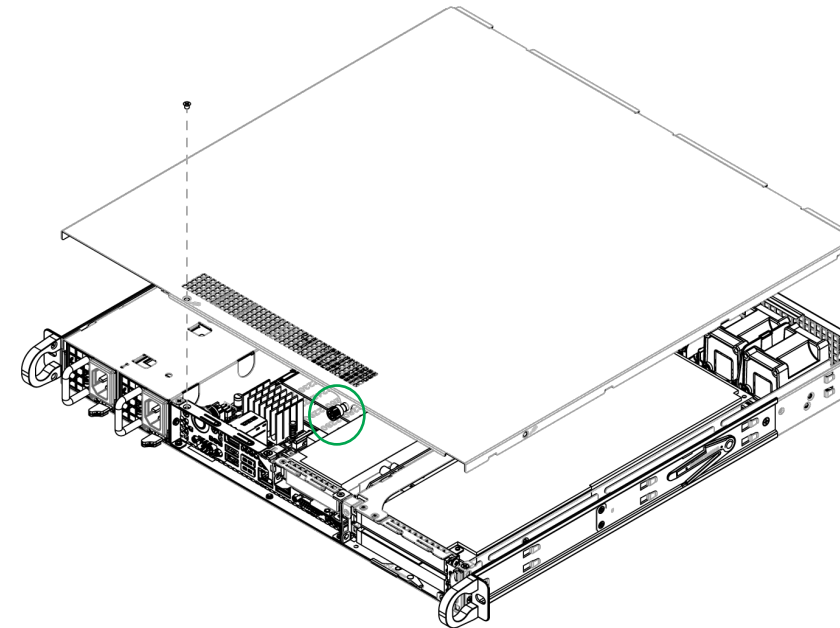


## BMC Password

Each system comes with a unique default password for the ADMIN user. This can be found on a sticker on the motherboard and another on the chassis service tag. If necessary, the password can be reset.

For more information, please visit <https://www.supermicro.com/en/solutions/management-software/bmc-resources>

## Top Cover Removal



## Product Page



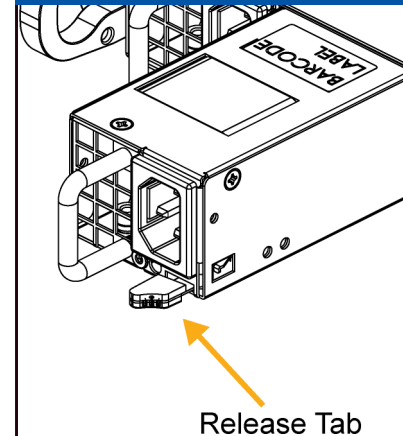
## Status LED States

LED States	System Status
Solid Green	Power On
Blinking Green and Red	Fan Fail
Solid Red	Overheat

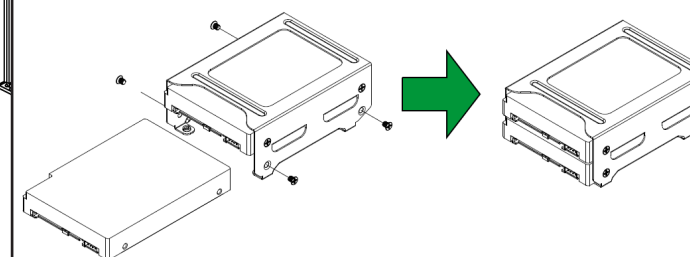
## Expansion Slots

Slot	Description
1	PCIe 4.0 x16 FHFL
2	PCIe 4.0 x16 FHFL
3	PCIe 4.0 x16 LP

## Release Tab



## Internal Drives



## Caution

**SAFETY INFORMATION**  
IMPORTANT: See installation instructions and safety warning before connecting system to power supply.  
[https://www.supermicro.com/about/policies/safety\\_information.cfm](https://www.supermicro.com/about/policies/safety_information.cfm)

**WARNING**  
To reduce risk of electric shock/damage to equipment, disconnect power from server by disconnecting all power cords from electrical outlets.  
If any CPU socket is empty, install protective plastic CPU cap.

**CAUTION**  
Always be sure all power supplies for this system have the same power output. If mixed power supplies are installed, the system will not operate.  
For more information, go to <https://www.supermicro.com/support>



MNL-2726-QRG-100

© 2025 Supermicro Computer Inc. All rights reserved. Reproduction of this document, whether in part or in whole, is strictly prohibited without Supermicro's written consent. All trademarks are property of their respective entities. All information provided is deemed accurate at the time of printing, however, it is not guaranteed.