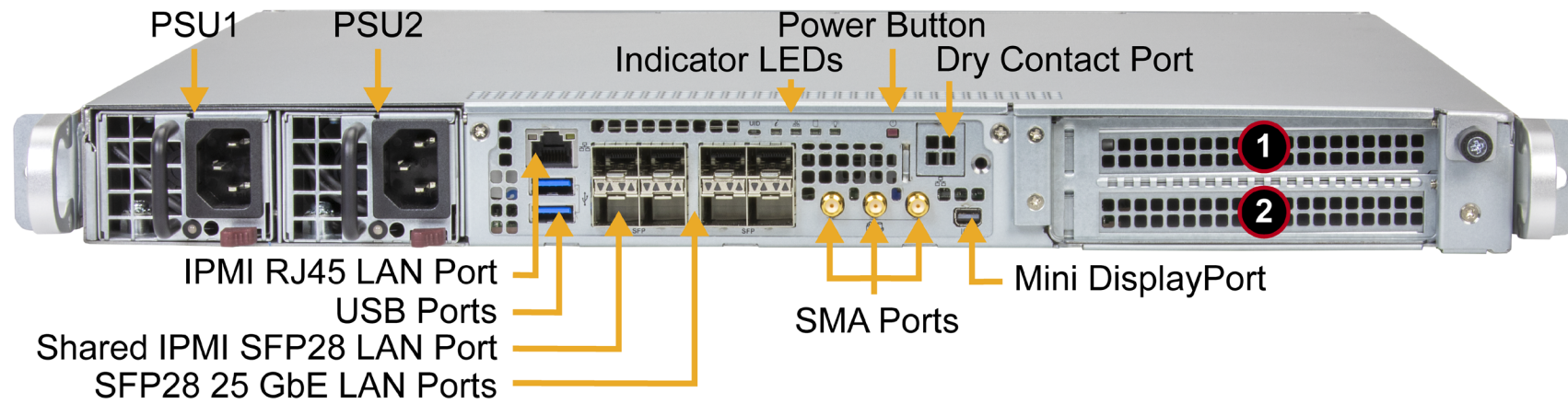


# SUPERMICR<sup>®</sup> SuperServer<sup>®</sup> SYS-112D-40C/42C-FN8P Quick Reference Guide

## Front View



### System Features: Front

Feature	Description
Power Supplies	Two redundant configuration-dependent power supplies
Indicator LEDs	Status LEDs for system functions
Power Button	One system power button
Dry Contact Port	One dry contact RJ45 port (optional)
IPMI RJ45 LAN Port	One RJ45 1 GbE LAN port (Intel® I210-IT) (IPMI shared on LAN port 1)
USB Ports	Two USB 3.2 Gen1 Type-A ports
SFP28 25 GbE LAN Ports (Shared IPMI SFP28 LAN Port)	Eight SFP28 25 GbE LAN ports (Intel® SoC) (IPMI shared on LAN port 1)
Mini DisplayPort	One Mini DisplayPort
SMA Ports	One SMA GNSS port (left) One SMA 1PPS in port (center) One SMA 1PPS out port (right) <b>Important:</b> Do not exert more than 4.5 lbf-in (0.5 N-m) of torque when tightening the antennas or SMA cables. Tightening the antennas or SMA cables with excessive force can damage the SMA ports.
1-2	Two PCIe 5.0 x16 FHHL slots

## Rear View



### System Features: Rear

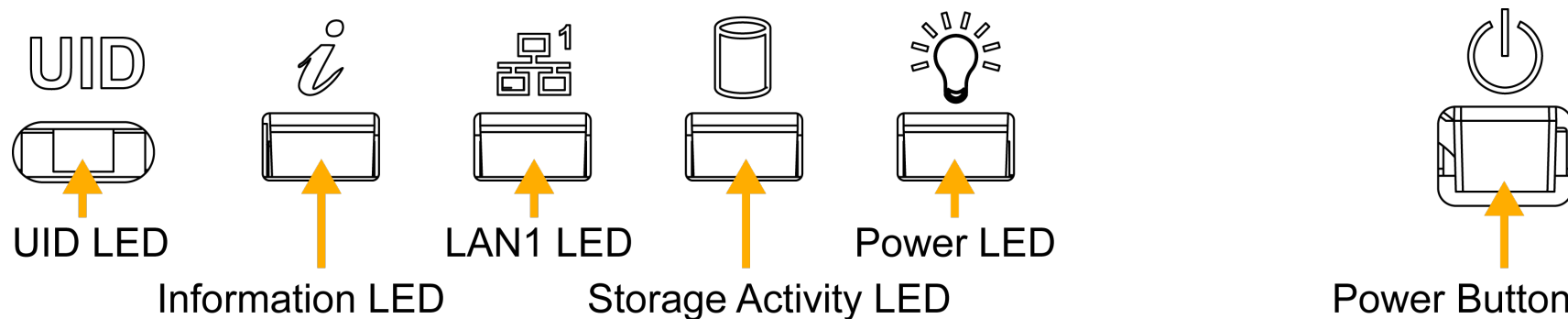
Feature	Description
System Fans	Six 4-cm heavy-duty fans with optimal fan speed control

## BMC Password

Each system comes with a unique default password for the ADMIN user. This can be found on a sticker on the motherboard and another on the chassis service tag. If necessary, the password can be reset.

For more information, please visit <https://www.supermicro.com/en/solutions/management-software/bmc-resources>

## Control Panel



### Information LED

Color, Status	Description
Red, solid	An overheat condition has occurred.
Red, blinking at 1 Hz	Fan failure; check for an inoperative fan.
Red, blinking at 0.25 Hz	Power failure; check for an inoperative power supply.
Red, solid with Power LED blinking green	Fault detected.
Blue and red, blinking at 10 Hz	Recovery mode.
Blue, solid	Unit ID has been activated locally.
Blue, blinking at 1 Hz	Unit ID has been activated via BMC.
Blue, blinking at 2 Hz	BMC is resetting.
Blue, blinking at 4 Hz	BMC is setting factory defaults.
Blue, blinking at 10 Hz with Power LED blinking green	BIOS/BMC firmware is updating.

### Product Pages



### SYS-112D-42C-FN8P

