

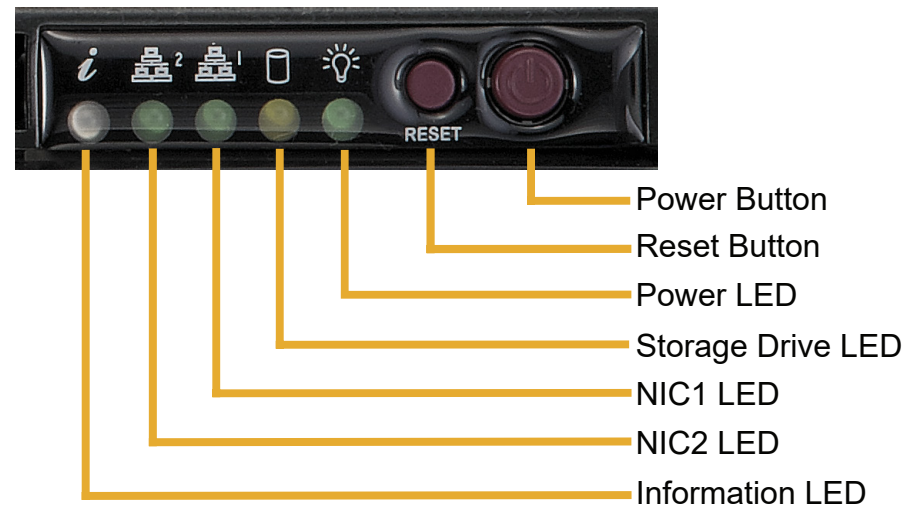
SUPERMICR[®] SuperServer[®] SYS-512AR-N4T Quick Reference Guide

Front Features



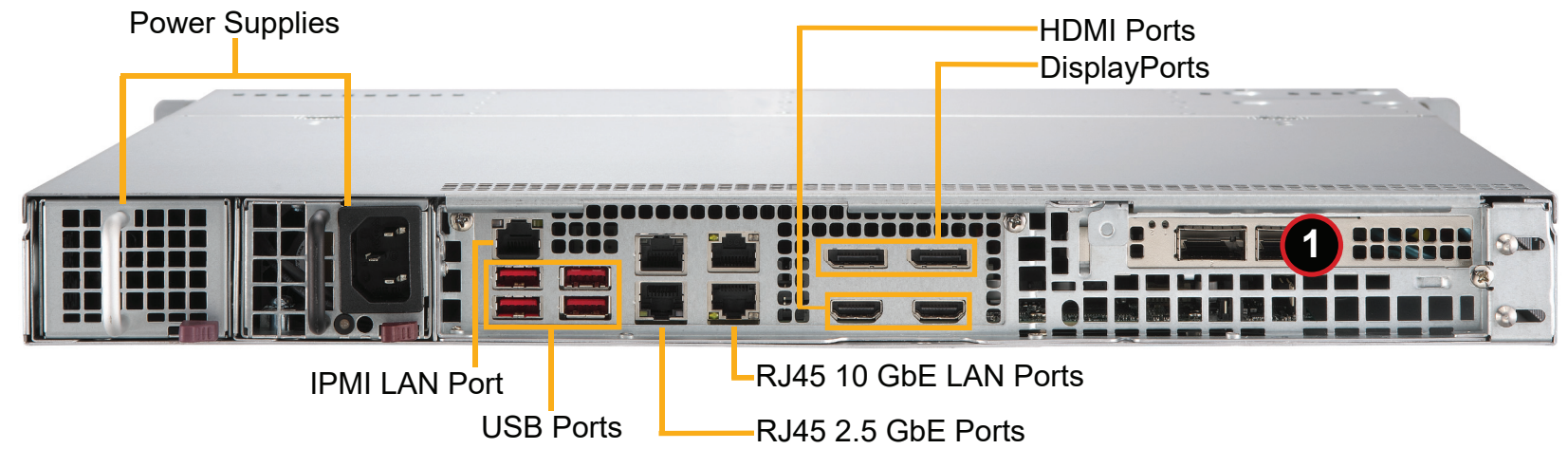
Drive Bay Locations	
Color, Status	Description
0-3	Four hot-swap 3.5" SAS3/SATA3 drive bays

Control Panel



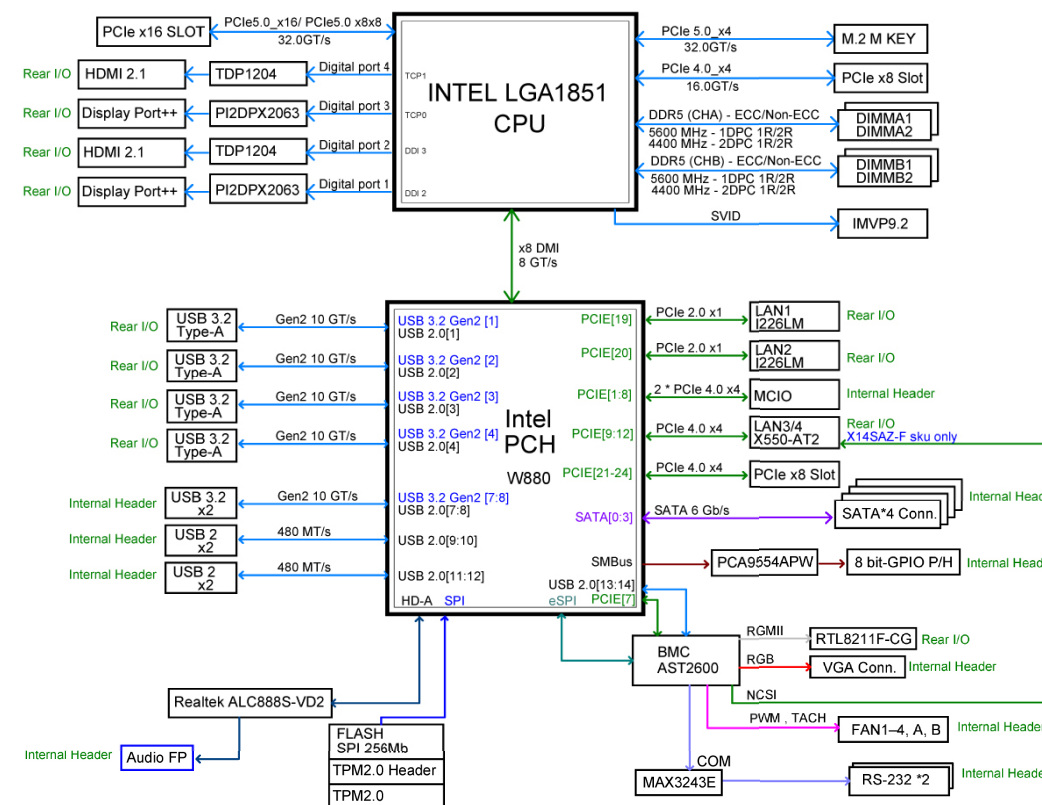
Information LED	
Color, Status	Description
Red, solid	An overheating condition has occurred
Red, blinking at 1 Hz	Fan failure, check for an inoperative fan
Red, blinking at 0.25 Hz	Power failure, check for a non-operational power supply
Red, blinking at 10 Hz	CPLD recovery mode error
Blue, solid	Unit ID has been activated by button
Blue, blinking at 1 Hz	Unit ID has been activated using the BMC
Blue, blinking at 2 Hz, and BMC Heartbeat LED on the motherboard is green	BMC is resetting
Blue, blinking at 4 Hz	BMC is setting factory defaults
Blue, blinking at 10 Hz	BIOS/BMC is recovering or updating

Rear Features



Expansion Slot Locations	
Color, Status	Description
1	PCIe 5.0 x16 FHHL

Motherboard Block Diagram



BMC Password

Each system comes with a unique default password for the ADMIN user. This can be found on a sticker on the motherboard and another on the chassis service tag. If necessary, the password can be reset. For more information, please visit <https://www.supermicro.com/en/solutions/management-software/bmc-resources>

System Datasheet

