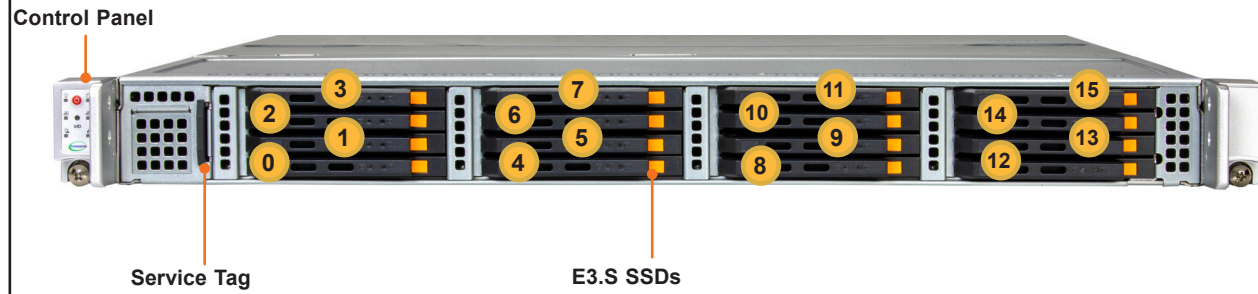


SUPERMICR[®] SuperServer[®] ARS-121L-NE316R Quick Reference Guide

Front Features



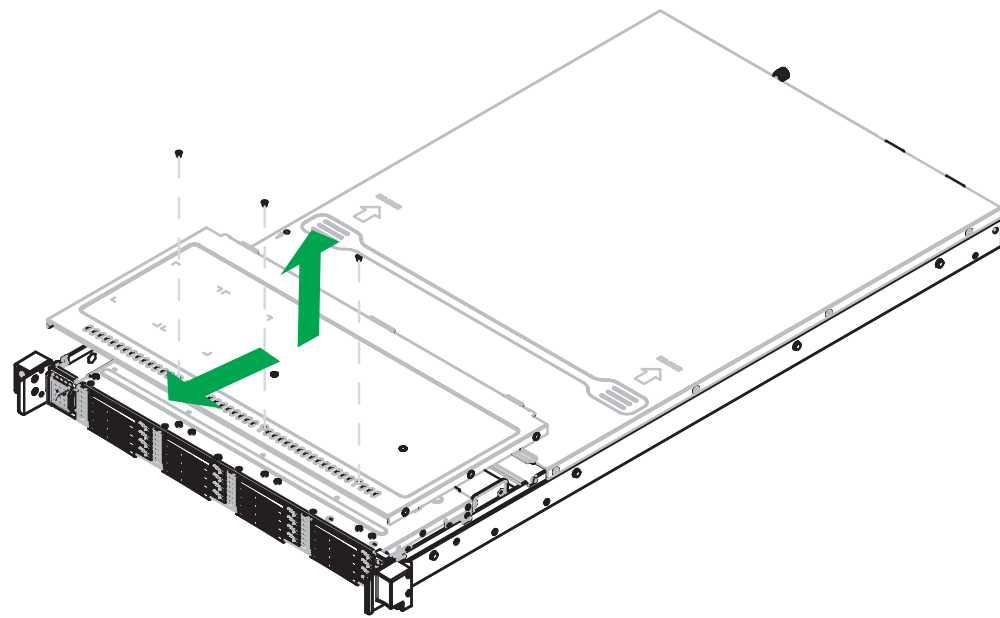
Logical Storage Drive Numbers

Item	Description
0 to 15	Total 16 E3.S hot-swap NVMe drive slots

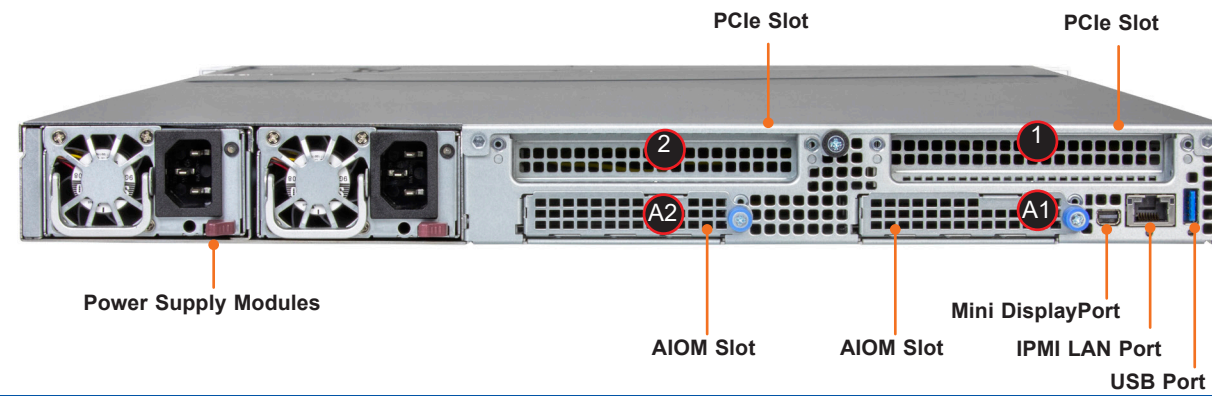
Drive Carrier LED Indicators

	Color	Blinking Pattern	Behavior for Device
Activity LED	Green	Solid On	Idle
	Green	Blinking	I/O activity
	Off		Eject device
Status LED	Off		Idle
	Amber	Blinking at 4 Hz	Locate device
	Amber	Blinking at 1 Hz for a few seconds, then off	Eject device or insert device, as appropriate

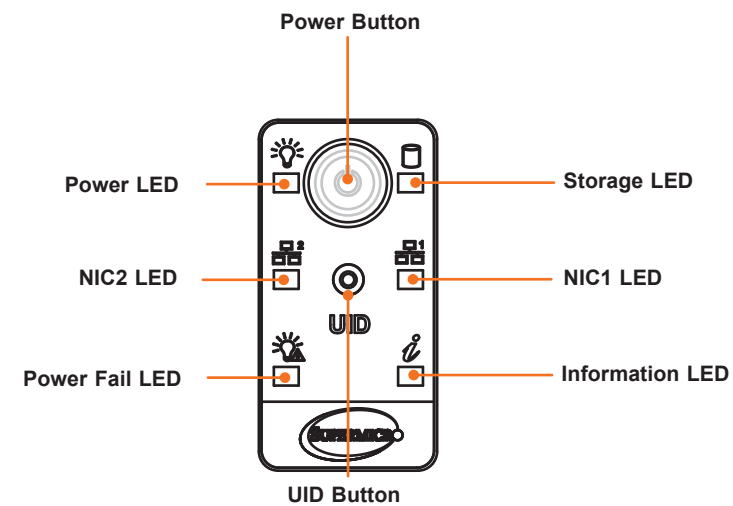
Top Cover Removal



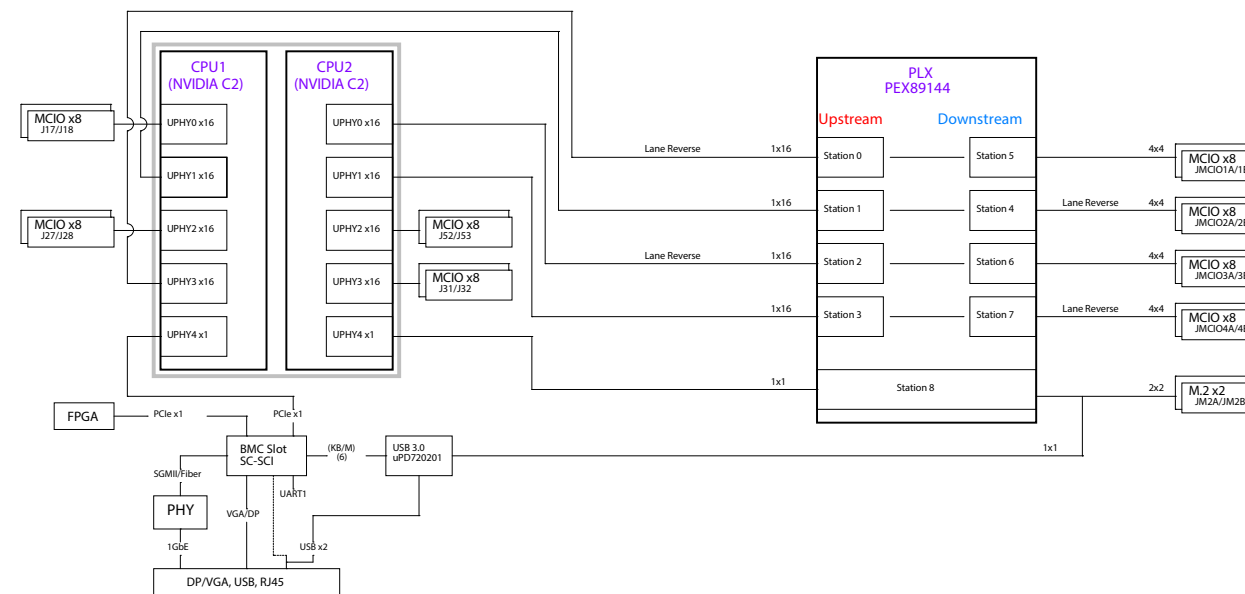
Rear Features



Control Panel



Baseboard PCIe Topology



BMC Password

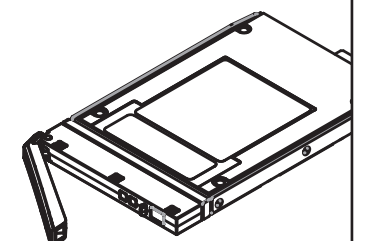
Each system comes with a unique default password for the root user. This can be found on a sticker on the motherboard and another on the chassis service tag. If necessary, the password can be reset.

For more information, please visit <https://www.supermicro.com/en/solutions/management-software/bmc-resources>

Product Page



Release Button



Press Release Button



MNL-2853-QRG-100

© 2025 Supermicro Computer Inc. All rights reserved. Reproduction of this document, whether in part or in whole, is strictly prohibited without Supermicro's written consent. All trademarks are property of their respective entities. All information provided is deemed accurate at the time of printing, however, it is not guaranteed.