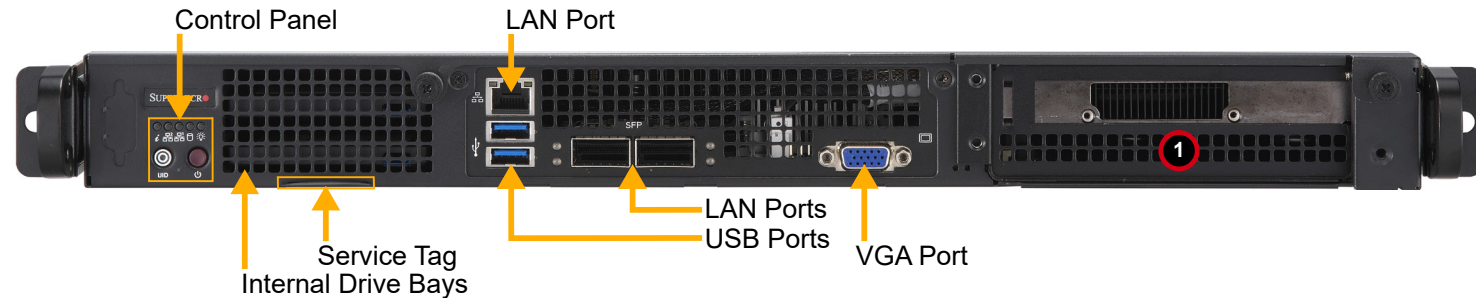


# SUPERMICR<sup>®</sup> SuperServer<sup>®</sup> SYS-112D-20C/36C-FN3P Quick Reference Guide

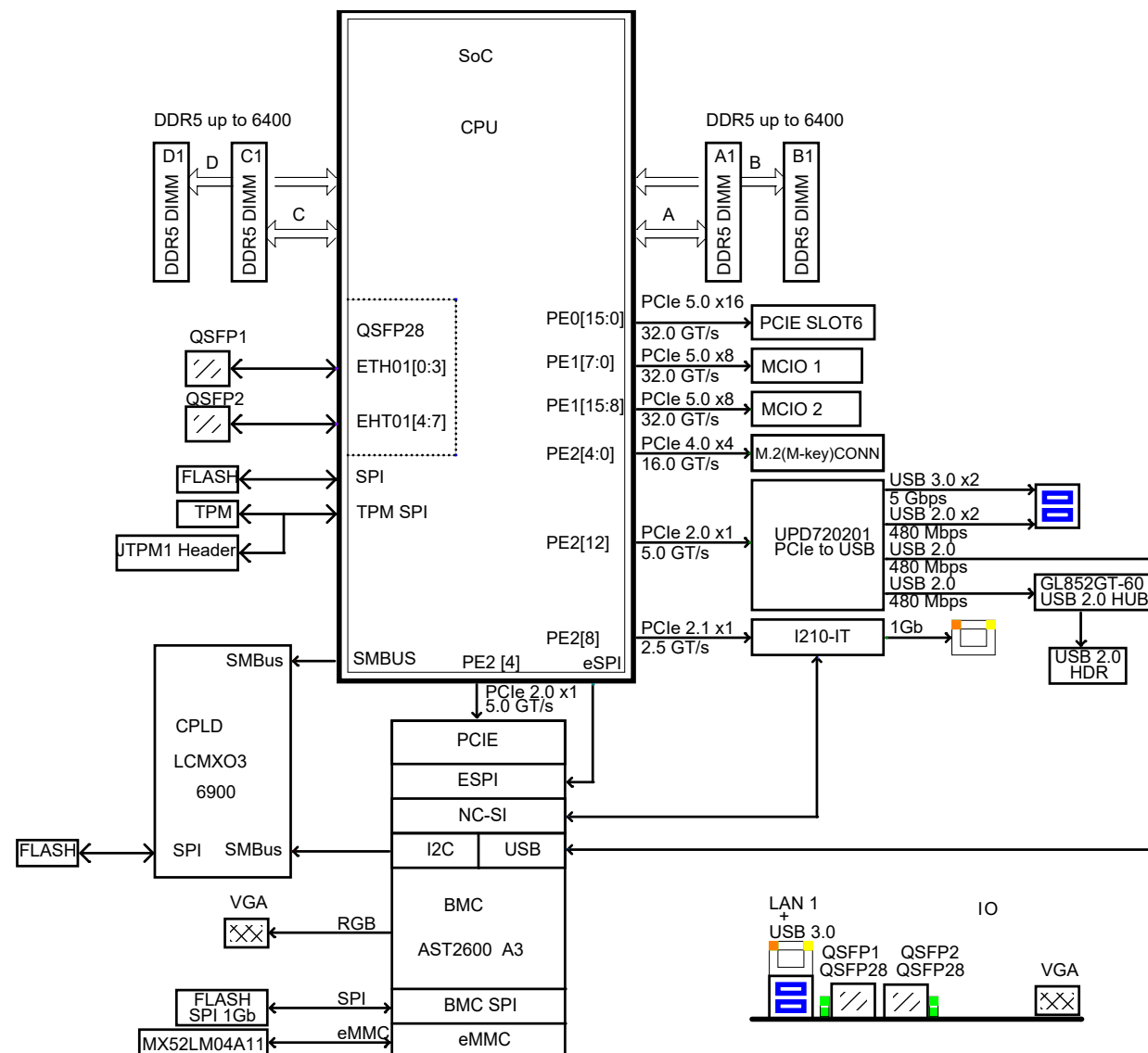
## Front Features



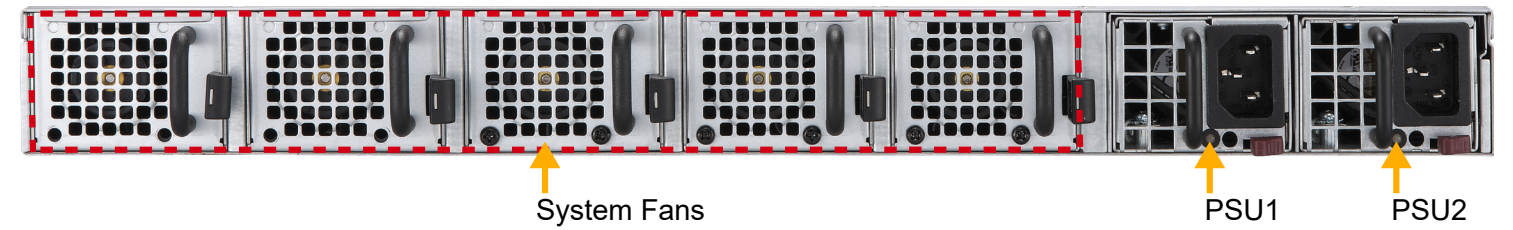
### Expansion Slot Location

| Slot | Description                                      |
|------|--|
| 1    | One PCIe 5.0 x16 (full-height, full-length) slot |

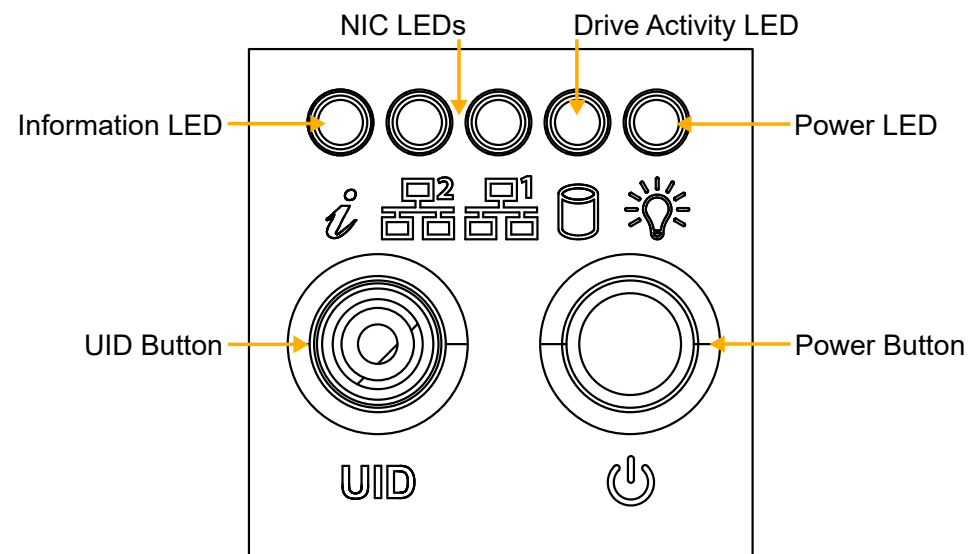
## System Block Diagram



## Rear Features



## Control Panel Features

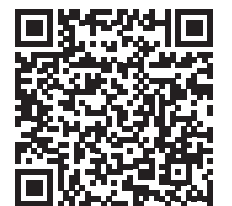


## BMC Password

Each system comes with a unique default password for the ADMIN user. This can be found on a sticker on the motherboard and another on the chassis service tag. If necessary, the password can be reset.

For more information, please visit: <https://www.supermicro.com/en/solutions/management-software/bmc-resources>

## System Datasheet



SYS-112D-20C-FN3P

## System Datasheet



SYS-112D-36C-FN3P

## Information LED

| Color, Status   | Description  |
|---|--|
| Red, solid  | An overheat condition has occurred.  |
| Red, blinking at 1 Hz                                 | Fan failure, check for an inoperative fan.                                 |
| Red, blinking at 0.25 Hz                              | Power failure, check for a non-operational power supply.                   |
| Red, solid, with Power LED blinking green             | Fault detected.  |
| Blue and red, blinking at 10 Hz                       | Recovery mode.   |
| Blue, solid   | UID has been activated locally to locate the server in a rack environment. |
| Blue, blinking at 1 Hz                                | UID has been activated via BMC to locate the server in a rack environment  |
| Blue, blinking at 2 Hz                                | BMC is resetting.  |
| Blue, blinking at 4 Hz                                | BMC is setting factory defaults.   |
| Blue, blinking at 10 Hz with Power LED blinking green | BMC/BIOS firmware is updating.   |