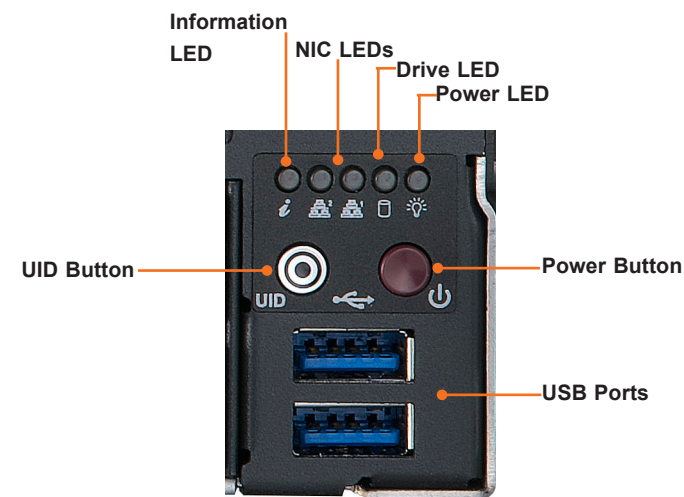


SUPERMICR[®] SuperServer[®] SYS-111AD-WN2R Quick Reference Guide

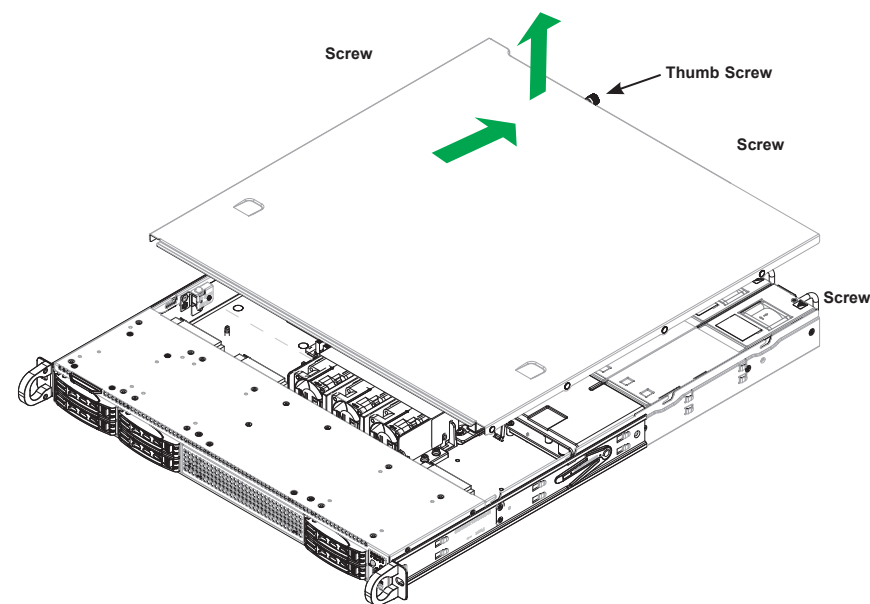
Front Features



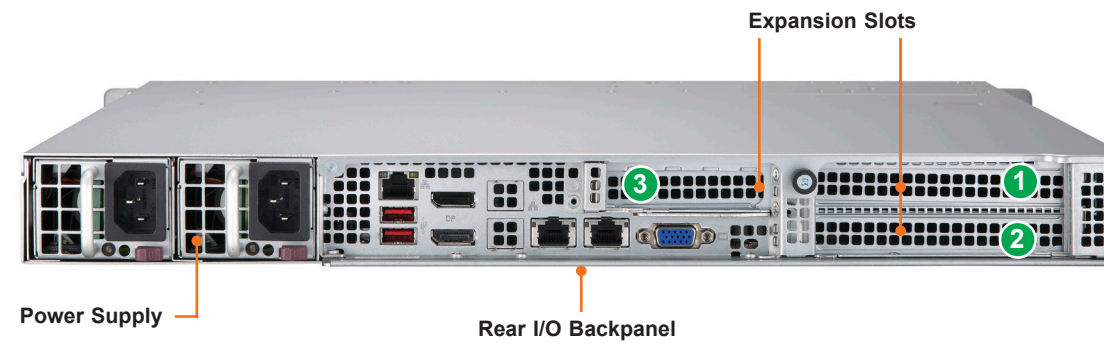
Control Panel



Top Cover Removal



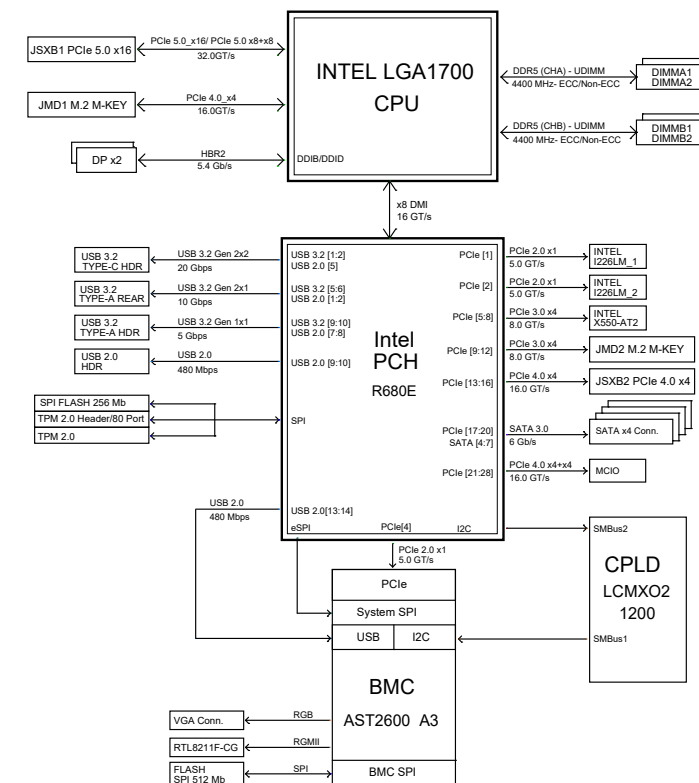
Rear Features



Expansion Slots

Slot	Description
1	PCIe 5.0 x16 FHFL slot (x8 if Slot 2 is occupied)
2	PCIe 5.0 x8 FHFL slot
3	PCIe 4.0 x4 HHHL slot

Motherboard Block Diagram



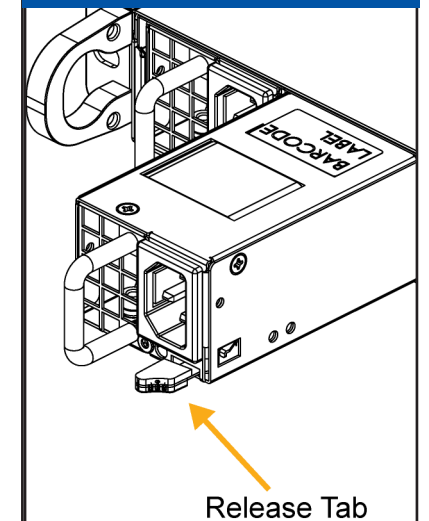
BMC Password

Each system comes with a unique default password for the ADMIN user. This can be found on a sticker on the motherboard and another on the chassis service tag. If necessary, the password can be reset. For more information, please visit <https://www.supermicro.com/en/solutions/management-software/bmc-resources>

Product Page



Release Tab



MNL-2883-QRG-100

© 2025 Supermicro Computer Inc. All rights reserved. Reproduction of this document, whether in part or in whole, is strictly prohibited without Supermicro's written consent. All trademarks are property of their respective entities. All information provided is deemed accurate at the time of printing, however, it is not guaranteed.