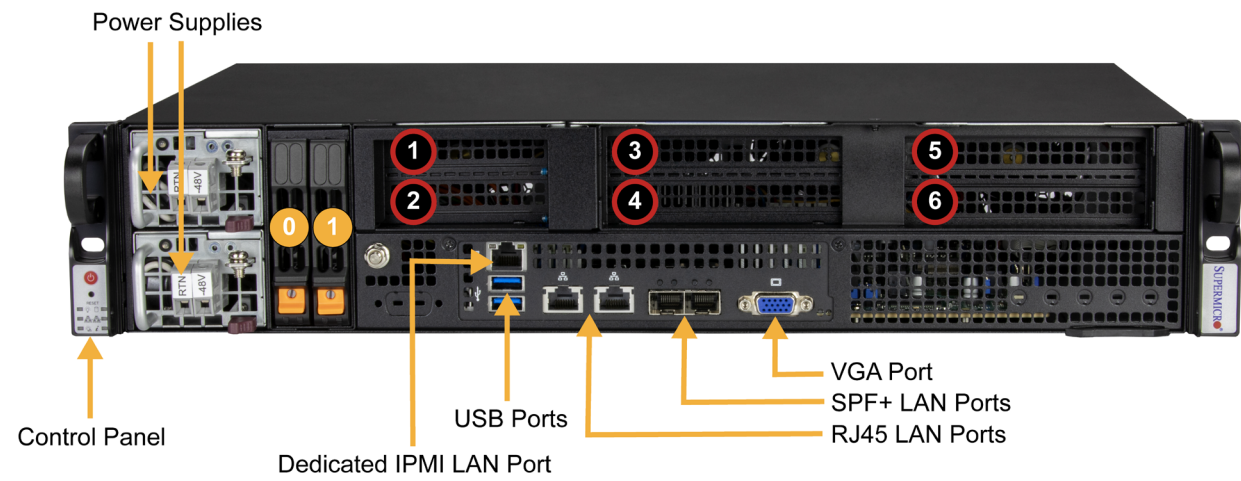


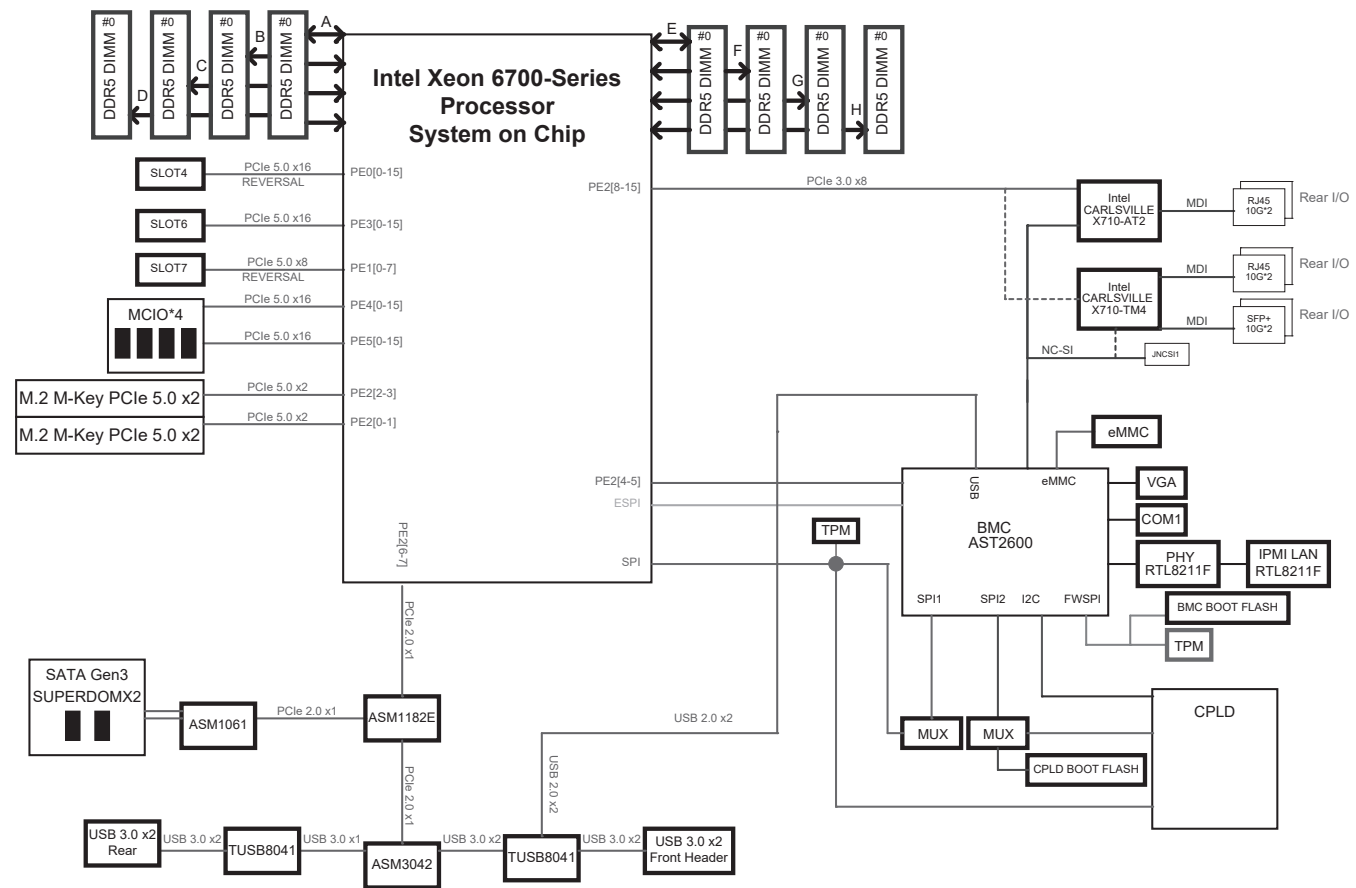
# SUPERMICR<sup>®</sup> SuperServer<sup>®</sup> SYS-212B-FN4TP Quick Reference Guide

## Front Features



PCIe Slot Configurations			
Slot #	Configuration 1 (default)	Configuration 2 (optional)	Configuration 3 (optional)
1	PCIe 5.0 x16 (HHHL)	N/A	PCIe 5.0 x16 (HHHL)
2	PCIe 5.0 x8 (HHHL)	PCIe 5.0 x8 (HHHL)	N/A
3	N/A	PCIe 5.0 x16 (FHHL)	PCIe 5.0 x16 (FHHL)
4	N/A	PCIe 5.0 x8 (FHHL)	PCIe 5.0 x8 (FHHL)
5	PCIe 5.0 x16 (FHHL)	PCIe 5.0 x16 (FHHL)	PCIe 5.0 x16 (FHHL)
6	PCIe 5.0 x16 (FHHL)	PCIe 5.0 x16 (FHHL)	PCIe 5.0 x16 (FHHL)

## System Block Diagram



## BMC Password

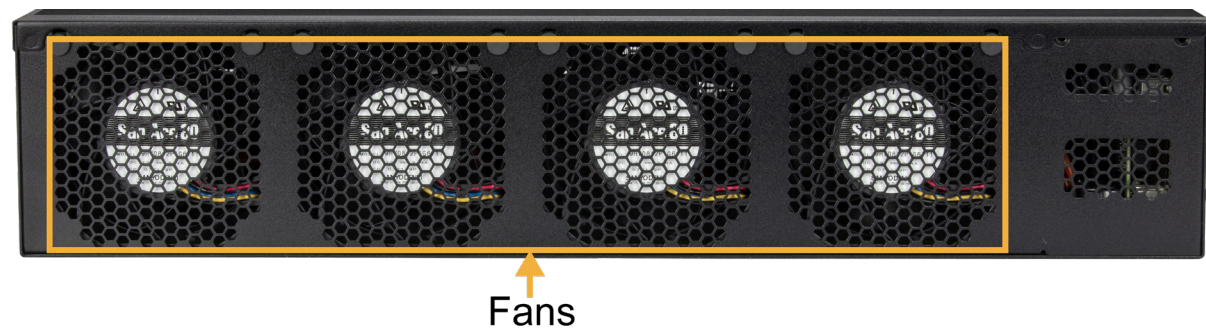
Each system comes with a unique default password for the ADMIN user. This can be found on a sticker on the motherboard and another on the chassis service tag. If necessary, the password can be reset.

For more information, please visit <https://www.supermicro.com/en/solutions/management-software/bmc-resources>

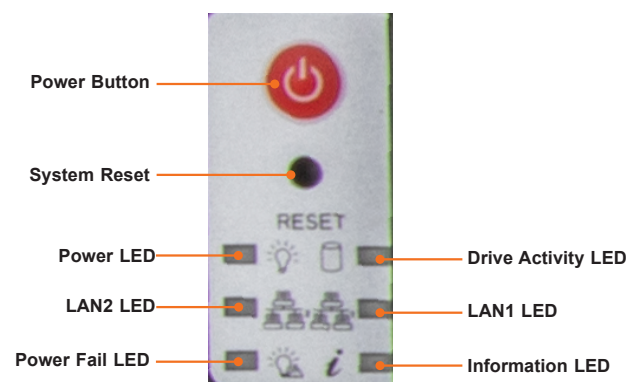
## Product Page



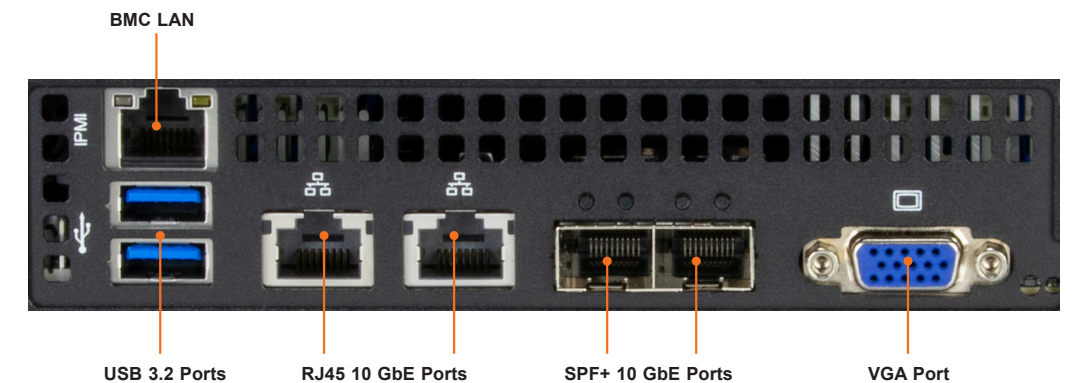
## Rear Features



## Control Panel



## I/O Panel



MNL-2739-QRG-100

© 2025 Supermicro Computer Inc. All rights reserved. Reproduction of this document, whether in part or in whole, is strictly prohibited without Supermicro's written consent. All trademarks are property of their respective entities. All information provided is deemed accurate at the time of printing, however, it is not guaranteed.