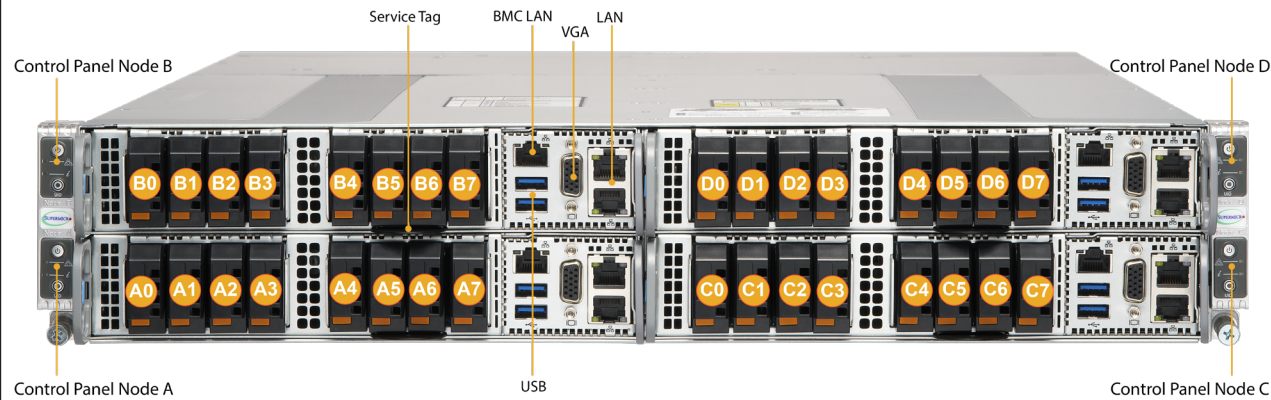


SUPERMICR® SuperServer® SYS-212GT-HNF Quick Reference Guide

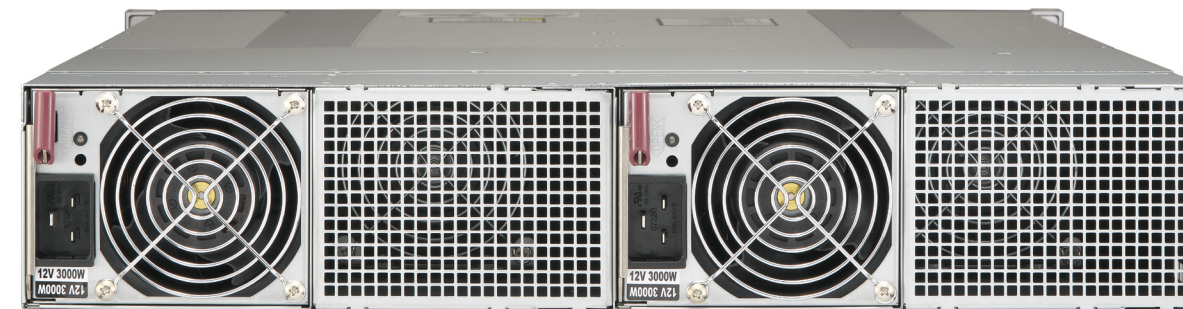
WARNING: This product can expose you to chemicals including lead, known to the State of California to cause cancer and birth defects or other reproductive harm. For more information, go to www.P65Warnings.ca.gov.

Front Features



System Features: Front	
Feature	Description
Control Panels	Four control panels with labels, one for each node.
Service Tag	Pull-out service tag with BMC password sticker
Drive Bays	32 hot-swap drives, eight drives per node, see below
BMC LAN	One BMC dedicated LAN port
USB	Two USB 3.0 ports
VGA	One video port
LAN	Two LANs integrated network connections
Thumbscrews	Two thumbscrews to secure the server onto the rack

Rear Features



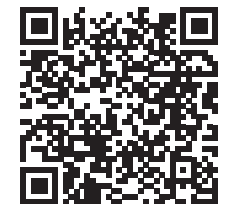
PWS2 Fan PWS1 Fan

BMC Password

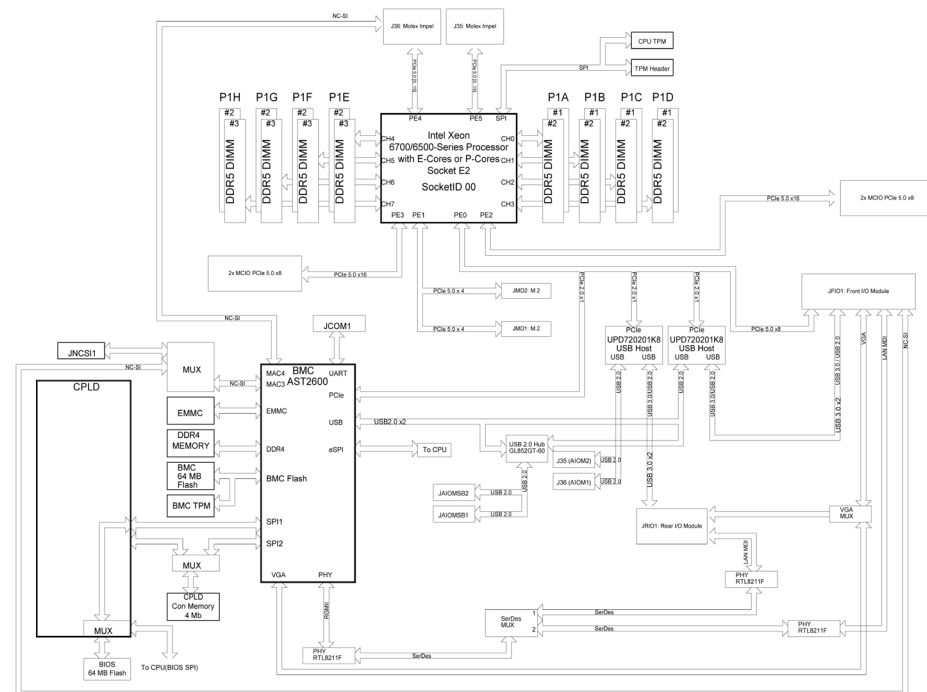
Each system comes with a unique default password for the ADMIN user. This can be found on a sticker on the motherboard and another on the chassis service tag. If necessary, the password can be reset.

For more information, please visit <https://www.supermicro.com/en/solutions/management-software/bmc-resources>

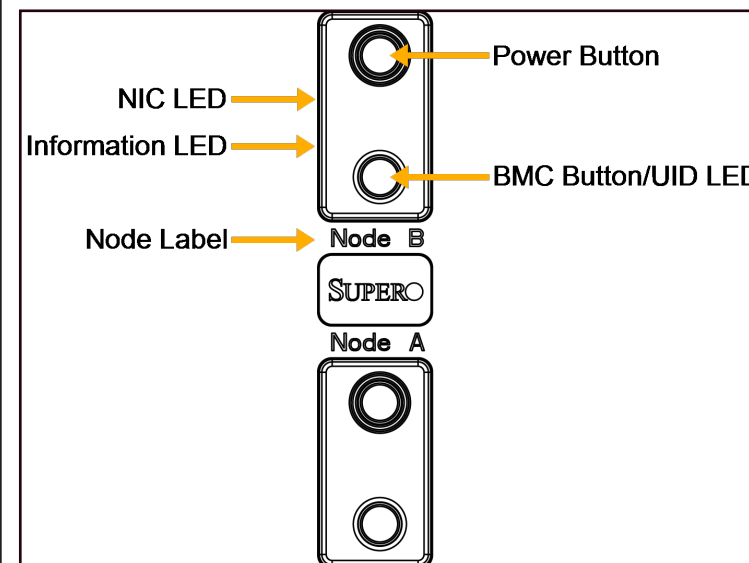
Product Page



System Block Diagram



Control Panel



Information LED	
Color, Status	Description
Red, solid	An overheat condition has occurred.
Red, blinking at 1 Hz	Fan failure; check for an inoperative fan.
Red, blinking at 0.25 Hz	Power failure; check for an inoperative power supply.
Red, solid with Power LED blinking green	Fault detected.
Blue and red, blinking at 10 Hz	Recovery mode.
Blue, solid	UID has been activated locally to locate the server in a rack environment.
Blue, blinking at 1 Hz	UID has been activated via BMC to locate the server in a rack environment.
Blue, blinking at 2 Hz	BMC is resetting.
Blue, blinking at 4 Hz	BMC is setting factory defaults.
Blue, blinking at 10 Hz with Power LED blinking green	BMC/BIOS firmware is updating.

MNL-2772-QRG-100

© 2025 Supermicro Computer Inc. All rights reserved. Reproduction of this document, whether in part or in whole, is strictly prohibited without Supermicro's written consent. All trademarks are property of their respective entities. All information provided is deemed accurate at the time of printing, however, it is not guaranteed.