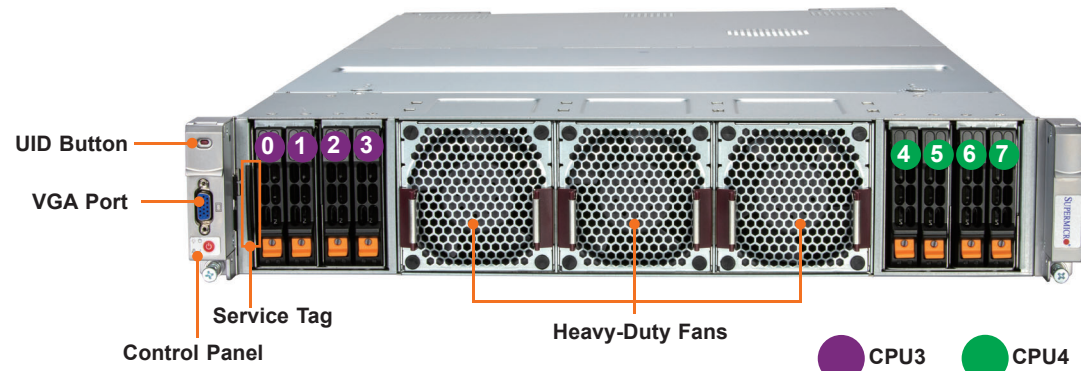


# SUPERMICR<sup>®</sup> SuperServer<sup>®</sup> SYS-242H-NR Quick Reference Guide

## Front Features



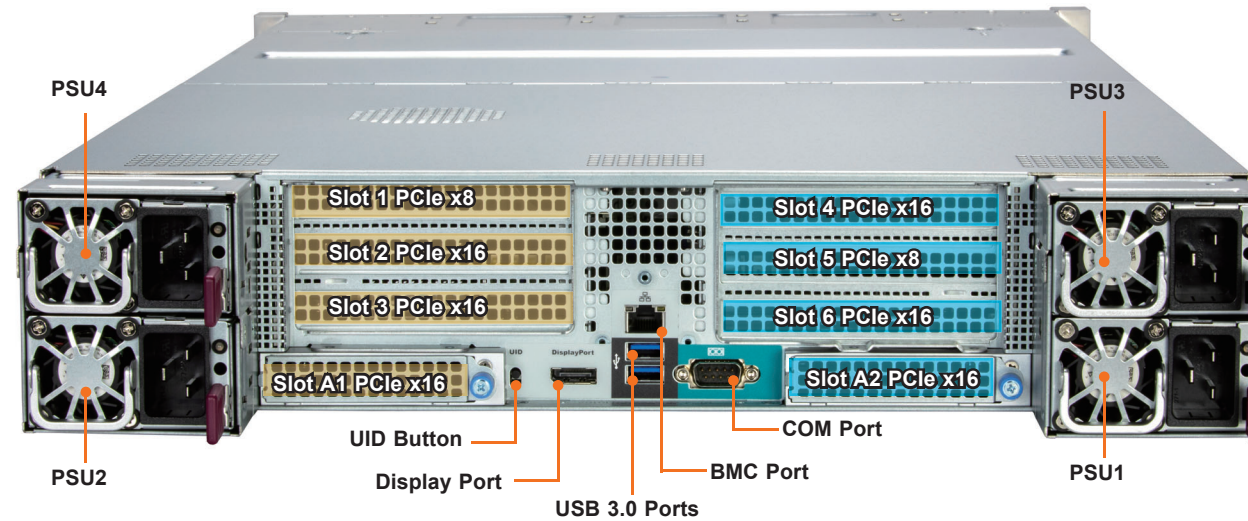
| System Features: Front |  |
|------------------------|--|
| Feature                | Description  |
| UID Button             | One UID button   |
| VGA Port               | One video port   |
| Control Panel          | Front control panel with LEDs and buttons. See Control Panel for details |
| Service Tag            | Pull-out service or asset tag has the BMC password details.              |
| Fans                   | Three heavy-duty fans with optimal fan speed control                     |
| 0-7                    | Default: Eight 2.5" NVMe drive bays                                      |



| Information LED                                       |  |
|---|--|
| Color, Status   | Description  |
| Red, solid  | An overheating condition has occurred.   |
| Red, blinking at 1 Hz                                 | Fan failure, check for an inoperative fan.                                       |
| Red, blinking at 0.25 Hz                              | Power failure, check for a non-operational power supply.                         |
| Red, solid, with Power LED blinking green             | Fault detected.  |
| Blue and red, blinking at 10 Hz                       | Recovery mode.   |
| Blue, solid   | UID has been activated locally to locate the server in a rack environment.       |
| Blue, blinking at 1 Hz                                | UID has been activated using the BMC to locate the server in a rack environment. |
| Blue, blinking at 2 Hz                                | BMC is resetting.  |
| Blue, blinking at 4 Hz                                | BMC is setting factory defaults.   |
| Blue, blinking at 10 Hz with Power LED blinking green | BIOS/BMC is recovering or updating   |

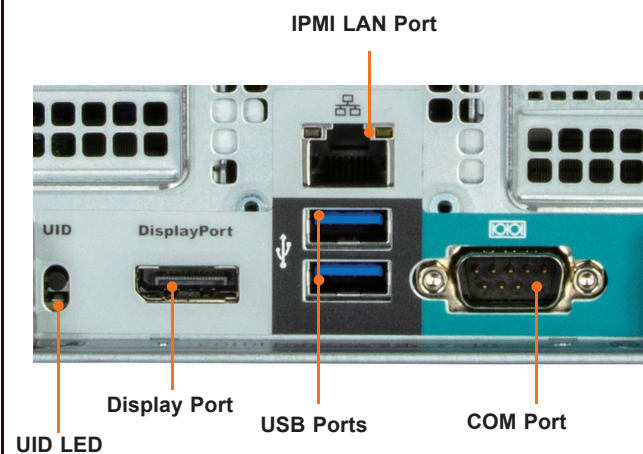
**UID Button/BMC Button**—The unit identification (UID) button turns on or off the blue light function of the Information LED. This button can also be used to reset the BMC.

## Rear Features

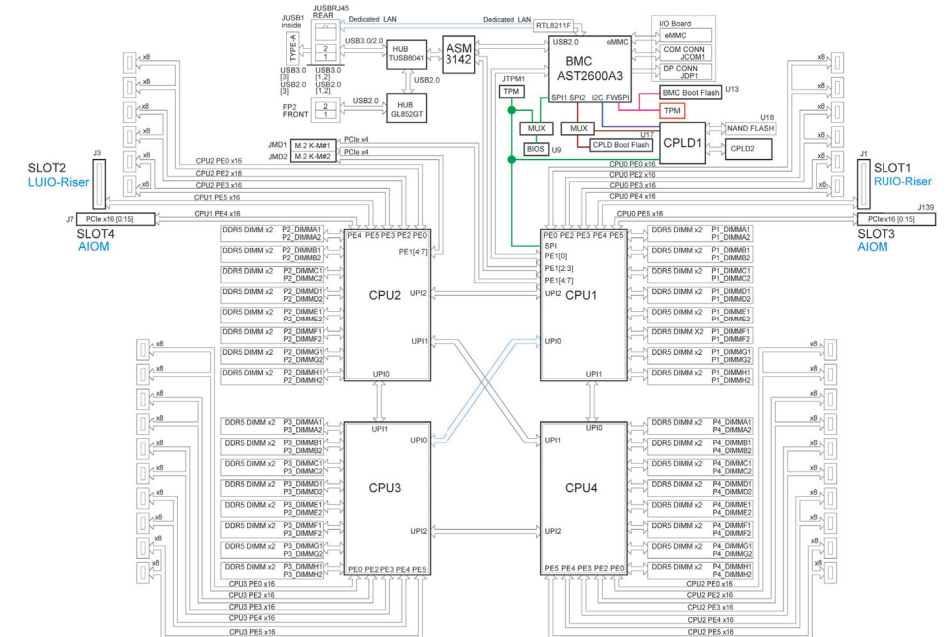


| System Features: Rear |  |
|-----------------------|--|
| Feature               | Description  |
| Power Supplies        | Four redundant 2700 W Titanium Level power supply modules (PWS1 and PWS2 on the left, PWS3 and PWS4 to the right). |
| DisplayPort           | One DisplayPort 1.1a video interface   |
| IPMI LAN Port         | One dedicated IPMI port for remote management  |
| USB Ports             | Two USB 3.0 ports  |
| COM Port              | One serial communication port  |

## I/O Panel



## System Block Diagram



## BMC Password

Each system comes with a unique default password for the ADMIN user. This can be found on a sticker on the motherboard and another on the chassis service tag. If necessary, the password can be reset.

For more information, please visit <https://www.supermicro.com/en/solutions/management-software/bmc-resources>

## Product Page



MNL-2812-QRG-100

© 2025 Supermicro Computer Inc. All rights reserved. Reproduction of this document, whether in part or in whole, is strictly prohibited without Supermicro's written consent. All trademarks are property of their respective entities. All information provided is deemed accurate at the time of printing, however, it is not guaranteed.