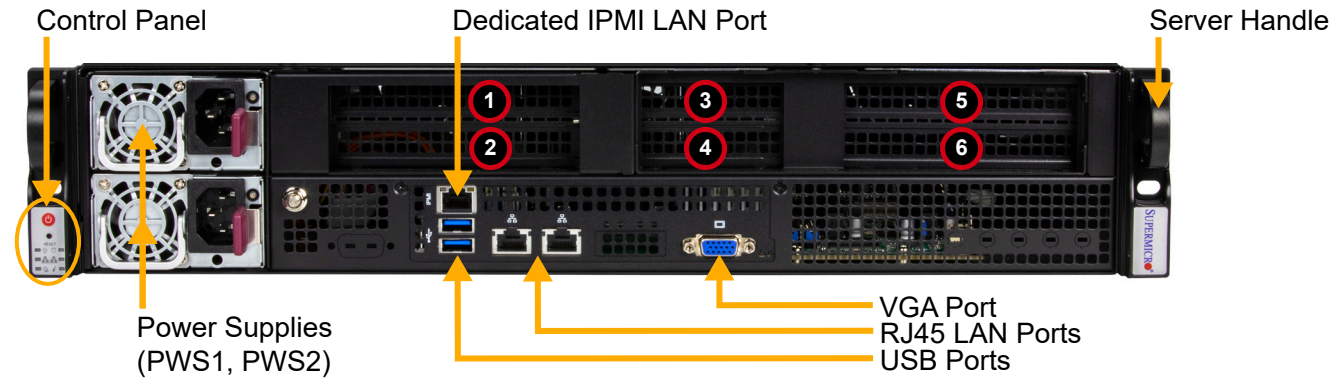
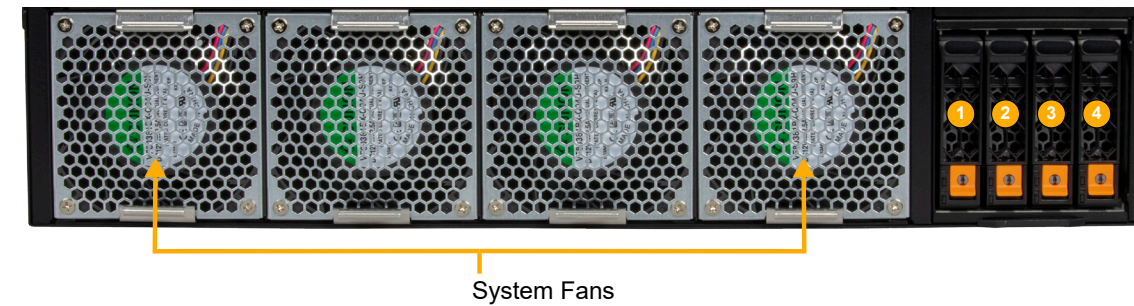


SUPERMICR[®] SuperServer[®] SYS-212B-FN2T Quick Reference Guide

Front Features



Rear Features



Logical Storage Drive Numbers

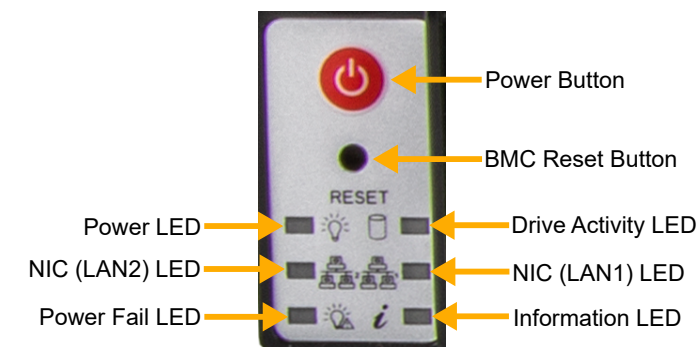
Item	Description
1-4	Four hot-swap 2.5" NVMe drive bays

Expansion Slot Location

Slot	Option 1	Option 2	Option 3
1	N/A	PCIe 5.0 x16 FHHL	PCIe 5.0 x16 HHHL
2	N/A	N/A	N/A
3	N/A	PCIe 5.0 x16 HHHL	N/A
4	N/A	PCIe 5.0 x8 HHHL	N/A
5	PCIe 5.0 x16 FHHL	PCIe 5.0 x16 FHHL	PCIe 5.0 x16 FHHL
6	PCIe 5.0 x16 FHHL	PCIe 5.0 x16 FHHL	PCIe 5.0 x16 FHHL

Options 2 and 3 require additional parts from the Optional Parts list and limit processor to a lower TDP.

Control Panel Features

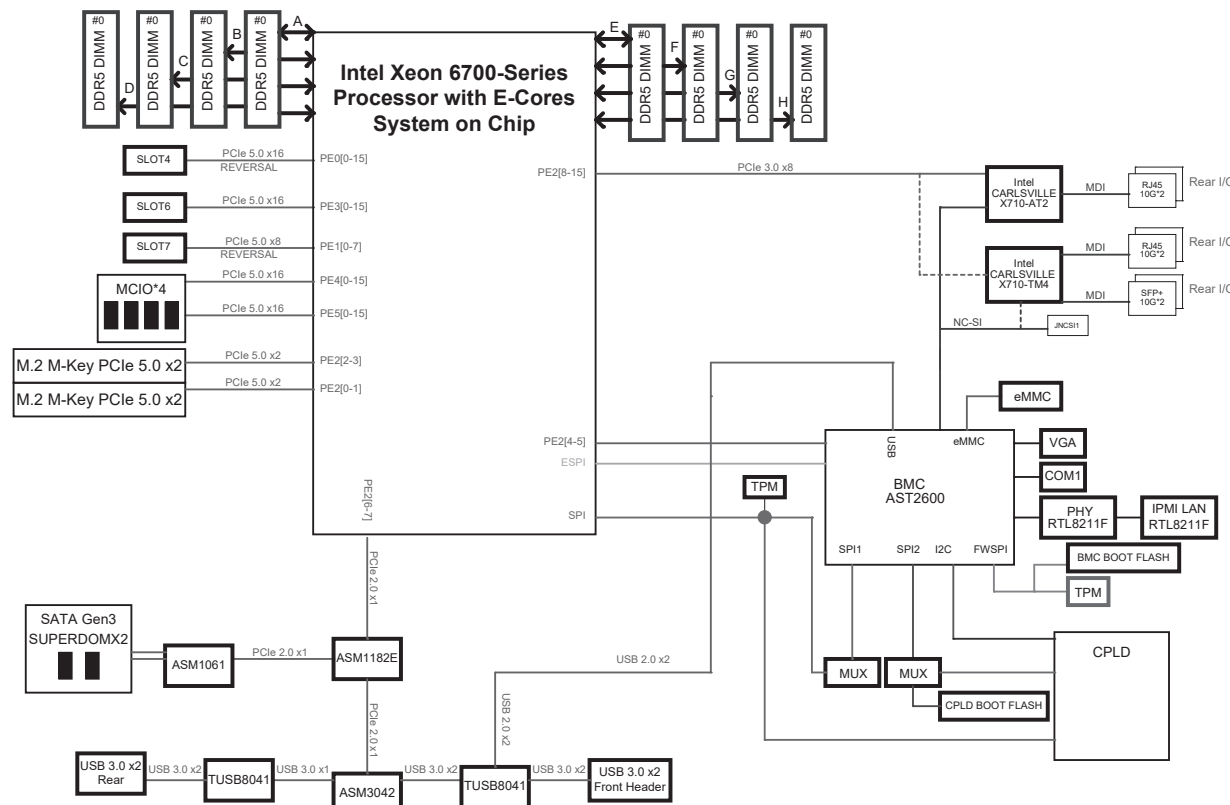


BMC Password

Each system comes with a unique default password for the ADMIN user. This can be found on a sticker on the motherboard and another on the chassis service tag. If necessary, the password can be reset.

For more information, please visit: <https://www.supermicro.com/en/solutions/management-software/bmc-resources>

System Block Diagram



Information LED

Color, Status	Description
Red, solid	An overheat condition has occurred.
Red, blinking at 1 Hz	Fan failure, check for an inoperative fan.
Red, blinking at 0.25 Hz	Power failure, check for a non-operational power supply.
Red, solid, with Power LED blinking green	Fault detected.
Blue and red, blinking at 10 Hz	Recovery mode.
Blue, solid	UID has been activated locally to locate the server in a rack environment.
Blue, blinking at 1 Hz	UID has been activated via BMC to locate the server in a rack environment
Blue, blinking at 2 Hz	BMC is resetting.
Blue, blinking at 4 Hz	BMC is setting factory defaults.
Blue, blinking at 10 Hz with Power LED blinking green	BMC/BIOS firmware is updating.

System Datasheet



MNL-2815-QRG-100

© 2025 Supermicro Computer Inc. All rights reserved. Reproduction of this document, whether in part or in whole, is strictly prohibited without Supermicro's written consent. All trademarks are property of their respective entities. All information provided is deemed accurate at the time of printing, however, it is not guaranteed.