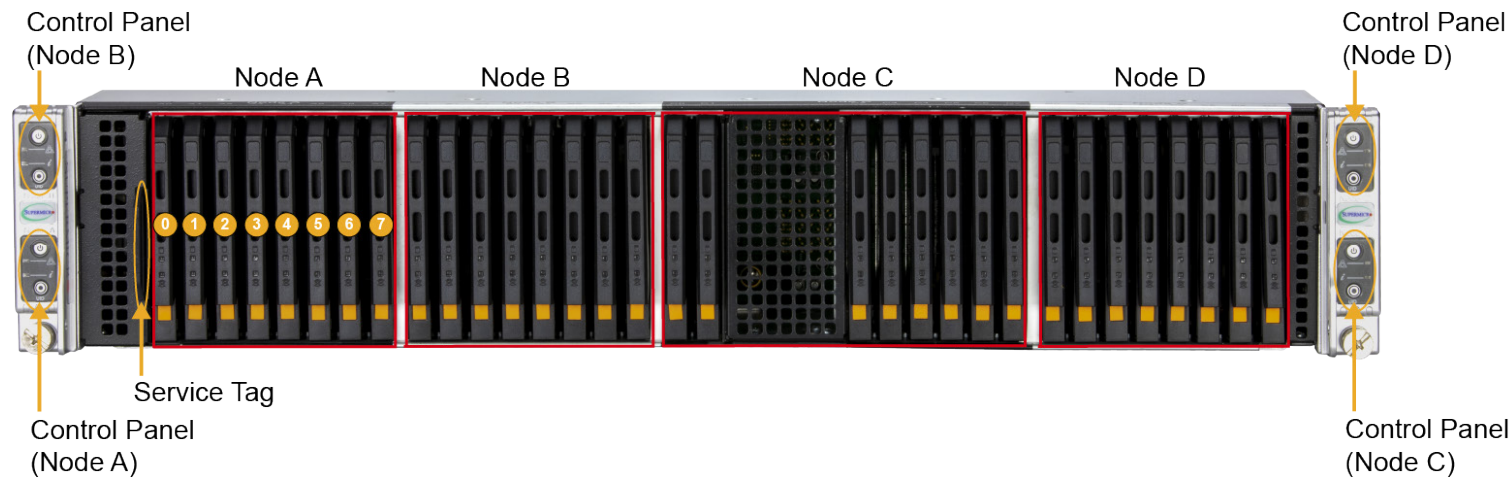


# SUPERMICR<sup>®</sup> SuperServer<sup>®</sup> SYS-222BT-HER Quick Reference Guide

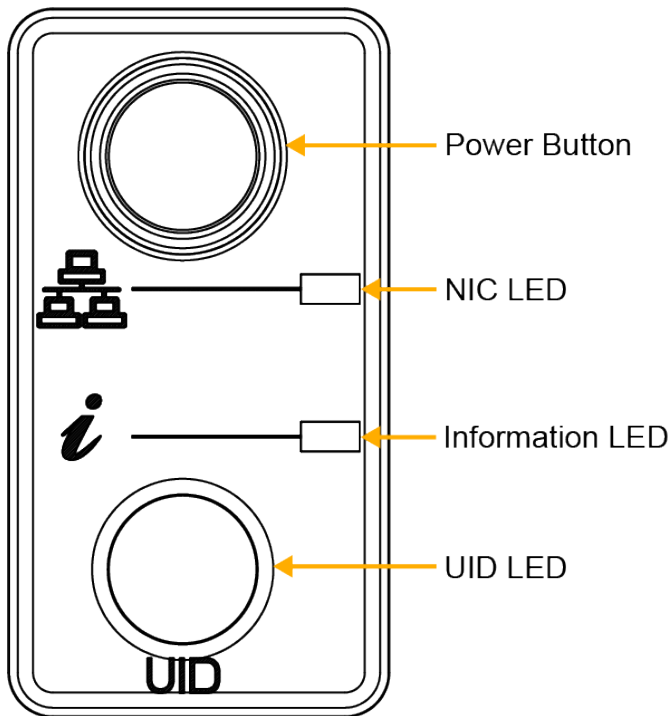
## Front Features



### Logical Storage Drive Numbers (per node)

Item	Description
0-3	Four E3.S 1T hot-swap NVMe drive bays (CPU1)
4-7	Four E3.S 1T hot-swap NVMe drive bays (CPU2)

## Control Panel

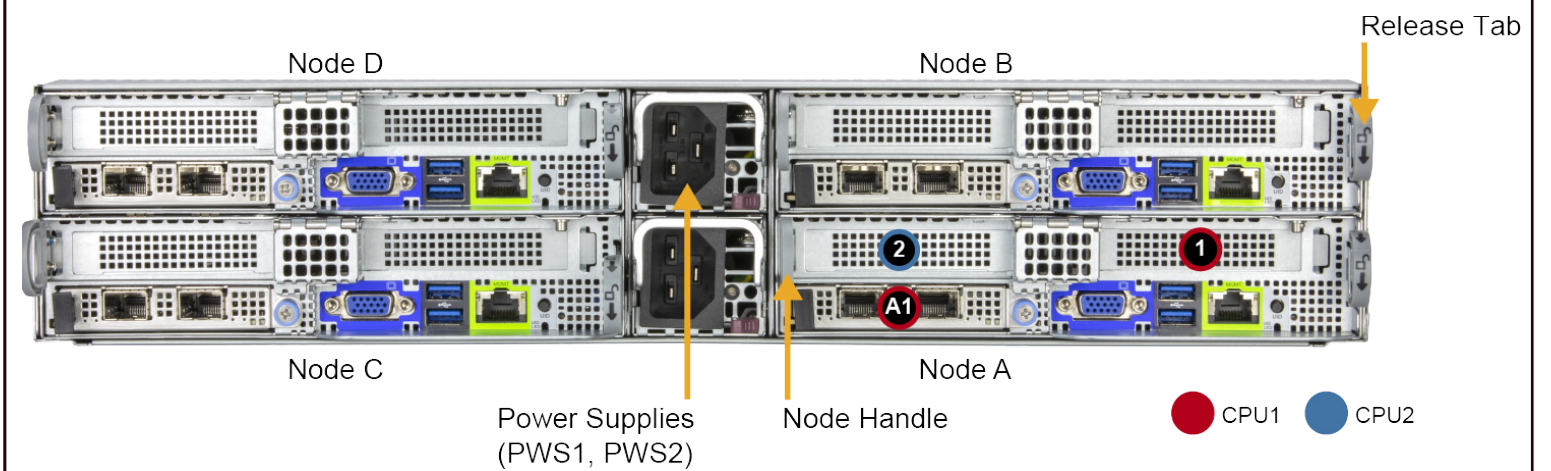


### Information LED

Color, Status	Description
Red, solid	An overheat condition has occurred.
Red, blinking at 1 Hz	Fan failure, check for an inoperative fan.
Red, blinking at 0.25 Hz	Power failure, check for a non-operational power supply.
Red, solid, with Power LED blinking green	Fault detected.
Blue and red, blinking at 10 Hz	Recovery mode.
Blue, solid	UID has been activated locally to locate the server in a rack environment.
Blue, blinking at 1 Hz	UID has been activated using the BMC to locate the server in a rack environment.
Blue, blinking at 2 Hz	BMC is resetting.
Blue, blinking at 4 Hz	BMC is setting factory defaults.
Blue, blinking at 10 Hz with Power LED blinking green	BMC/BIOS is updating

**UID LED**—The unit identification (UID) button turns on or off the blue light function of the Information LED. This button can also be used to reset the BMC.

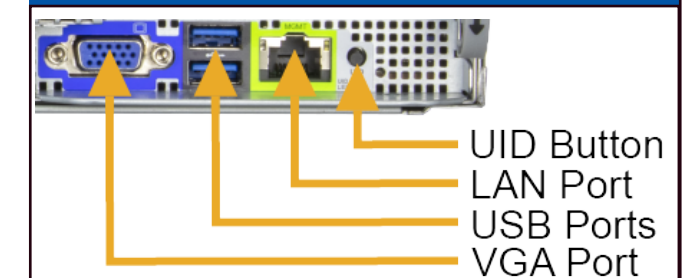
## Rear Features



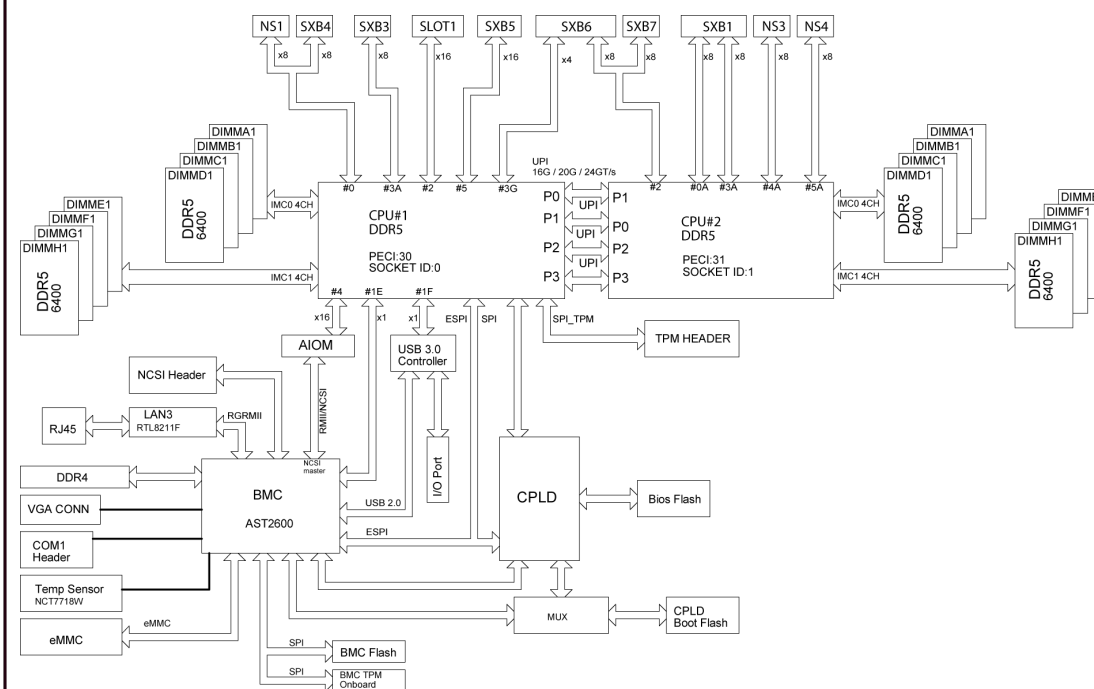
### Expansion Slot Locations (per node)

Slot	Description
1	PCIe 5.0 x16 slot (low-profile)
2	PCIe 5.0 x16 slot (low-profile)
A1	PCIe 5.0 x16 AIOM slot

### I/O Panel



## System Block Diagram



## BMC Password

Each system comes with a unique default password for the ADMIN user. This can be found on a sticker on the motherboard and another on the chassis service tag. If necessary, the password can be reset.

For more information, please visit <https://www.supermicro.com/en/solutions/management-software/bmc-resources>

## System Datasheet

