

SUPERMICR[®] SuperServer[®] SYS-222BT-HNR-LCC Quick Reference Guide

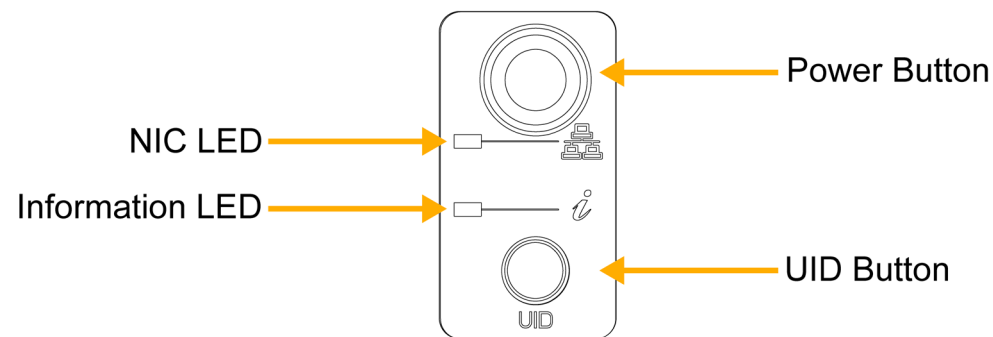
Front Features



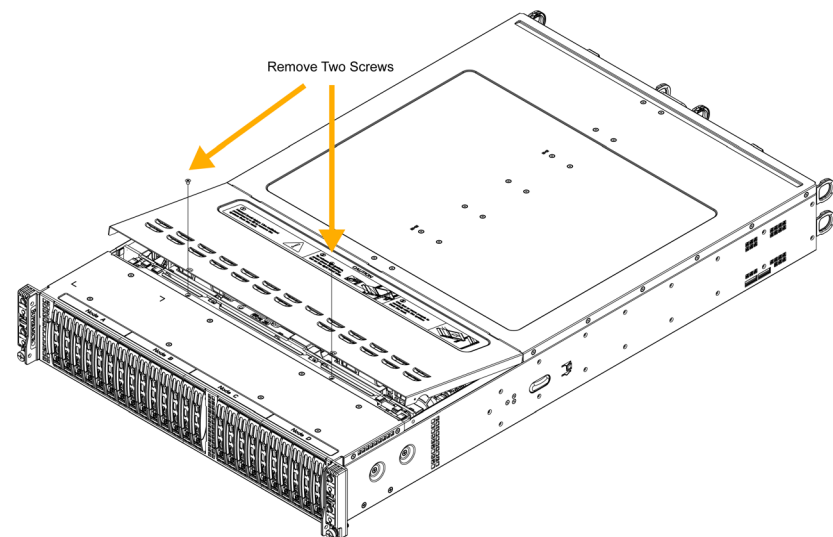
Storage Drive Numbers (Per Node)

Item	Description
0-1	Two hot-swap 2.5" PCIe 5.0 NVMe (CPU1) drive bays
2-5	Four hot-swap 2.5" PCIe 5.0 NVMe (CPU2) drive bays

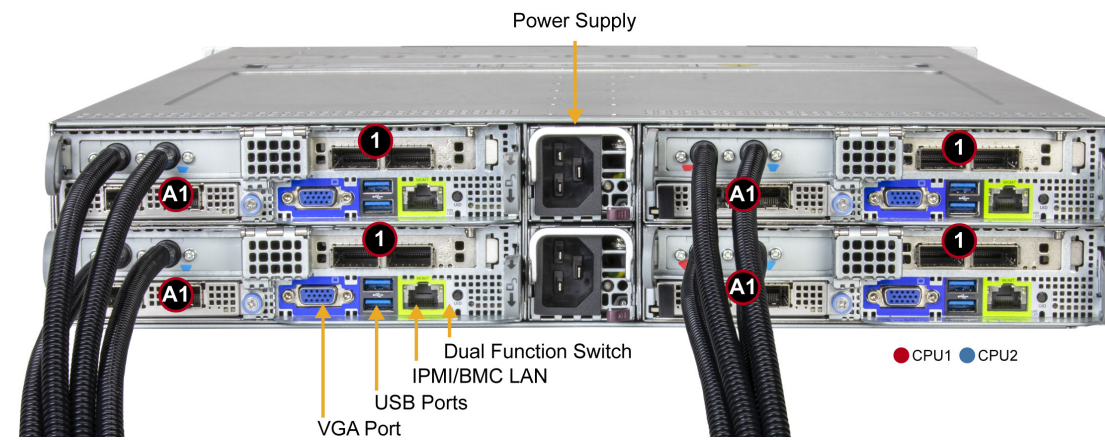
Control Panel



Removing Top Cover



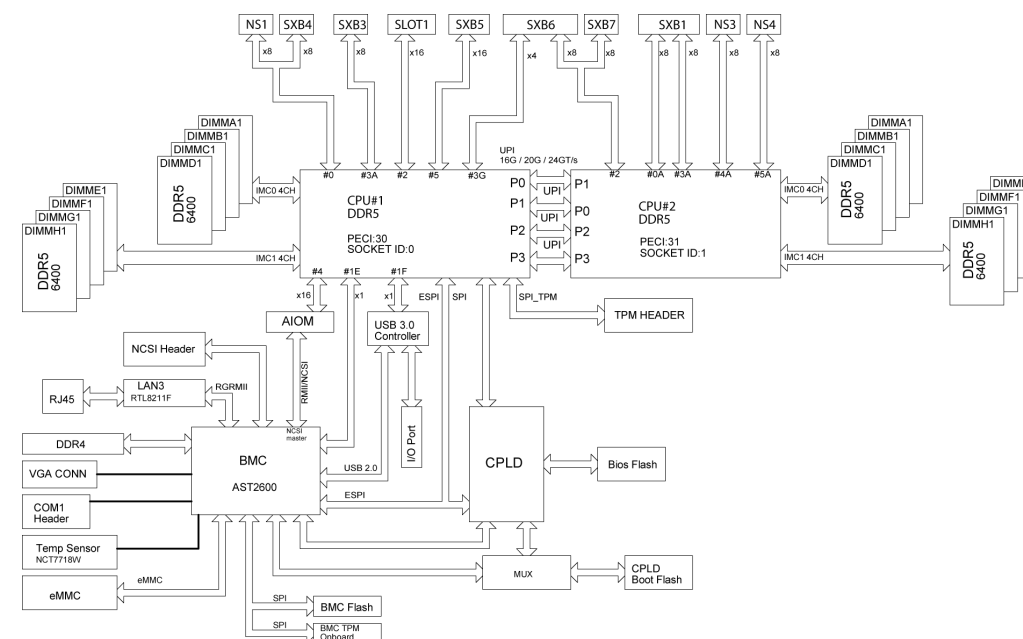
Rear Features



Expansion Slots (Per Node)

Slot	Description
A1	PCIe 5.0 x16 AIOM slot (CPU1) in each node
1	PCIe 5.0 x16 low profile slot (CPU1) in each node

Motherboard Block Diagram



BMC Password

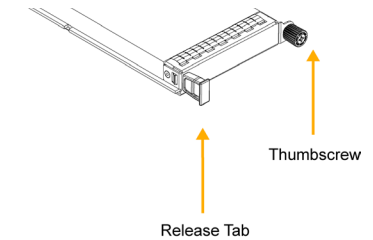
Each system comes with a unique default password for the ADMIN user. This can be found on a sticker on the motherboard and another on the chassis service tag. If necessary, the password can be reset.

For more information, please visit <https://www.supermicro.com/en/solutions/management-software/bmc-resources>

Product Page



AIOM



Caution

SAFETY INFORMATION
IMPORTANT: See installation instructions and safety warning before connecting system to power supply.
https://www.supermicro.com/about/policies/safety_information.cfm

WARNING
 To reduce risk of electric shock/damage to equipment, disconnect power from server by disconnecting all power cords from electrical outlets.
 If any CPU socket is empty, install protective plastic CPU cap.

CAUTION
 Always be sure all power supplies for this system have the same power output. If mixed power supplies are installed, the system will not operate.
 For more information, go to <https://www.supermicro.com/support>