

SUPERMICR[®] SuperServer[®] SYS-212B-N2T Quick Reference Guide

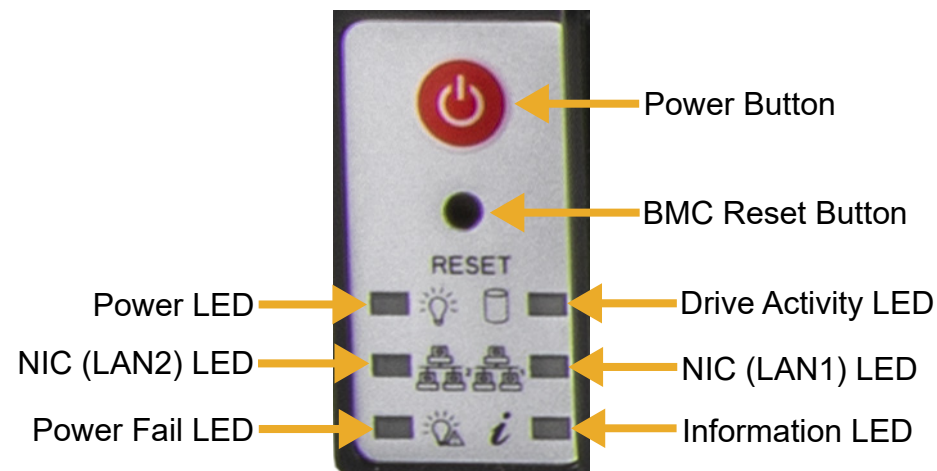
Front Features



Control Panel

Fans

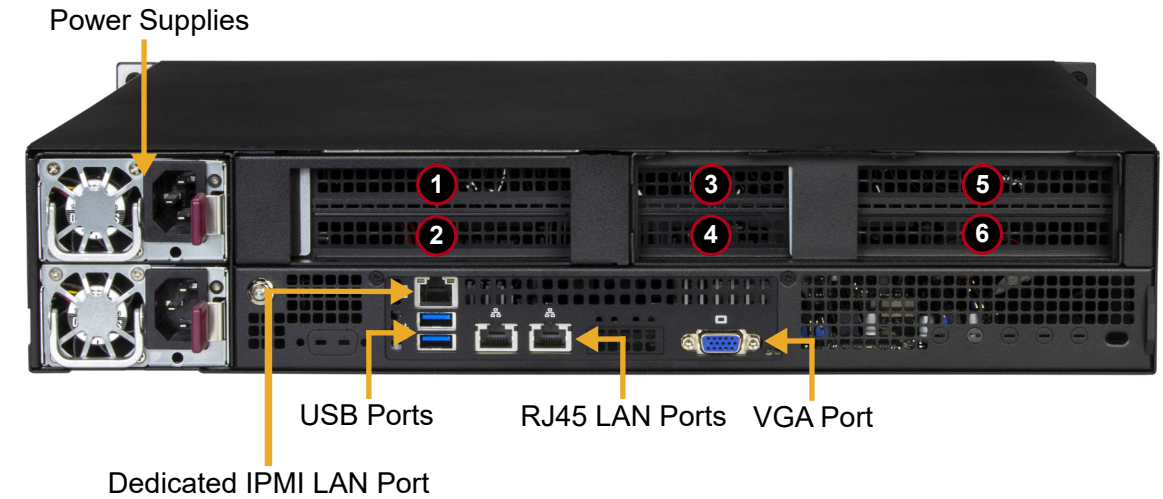
Control Panel



Information LED

Color, Status	Description
Red, solid	An overheating condition has occurred
Red, blinking at 1 Hz	Fan failure, check for an inoperative fan
Red, blinking at 0.25 Hz	Power failure, check for a non-operational power supply
Red, blinking at 10 Hz	CPLD recovery mode error
Blue, solid	Unit ID has been activated by button
Blue, blinking at 1 Hz	Unit ID has been activated using the BMC
Blue, blinking at 2 Hz, and BMC Heartbeat LED on the motherboard is green	BMC is resetting
Blue, blinking at 4 Hz	BMC is setting factory defaults
Blue, blinking at 10 Hz	BIOS/BMC is recovering or updating

Rear Features



Dedicated IPMI LAN Port

USB Ports

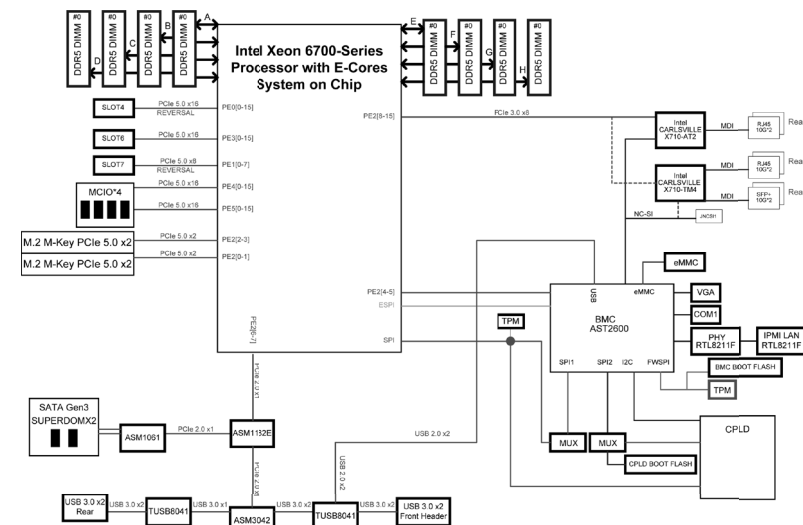
RJ45 LAN Ports

VGA Port

Slot Description			
Slot	Option 1 (Default)	Option 2*	Option 3*
1	--	PCIe 5.0 x16 FHFL	PCIe 5.0 x16 HHHL
2	--	--	--
3	--	PCIe 5.0 x16 HHHL	--
4	--	PCIe 5.0 x8 HHHL	--
5, 6	PCIe 5.0 x16 FHFL	PCIe 5.0 x16 FHFL	PCIe 5.0 x16 FHFL

*Requires additional parts from the optional parts list and limits processor power to lower TDP.

Motherboard Block Diagram



Product Landing Page



BMC Password

Each system comes with a unique default password for the ADMIN user. This can be found on a sticker on the motherboard and another on the chassis service tag. If necessary, the password can be reset.

For more information, please visit
<https://www.supermicro.com/en/solutions/management-software/bmc-resources>