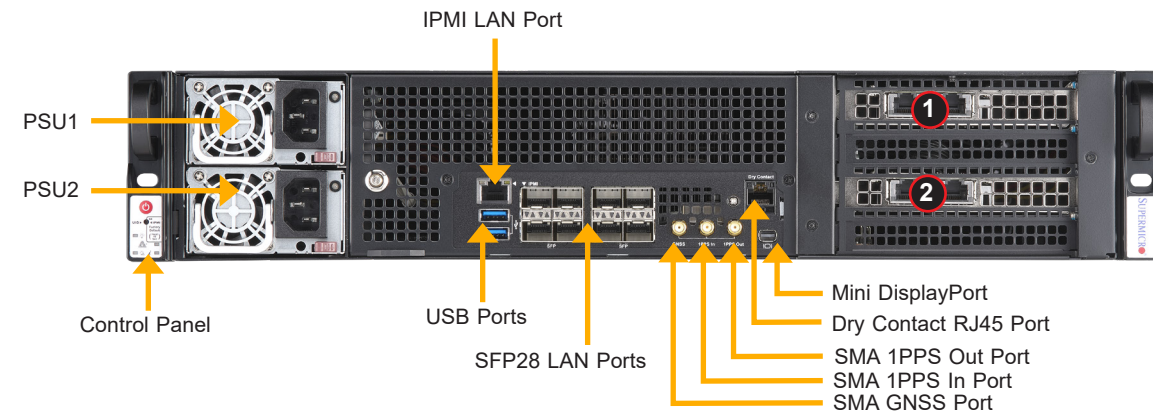


# SUPERMICR® SuperServer® SYS-212D-64C/72C-FN8P Quick Reference Guide

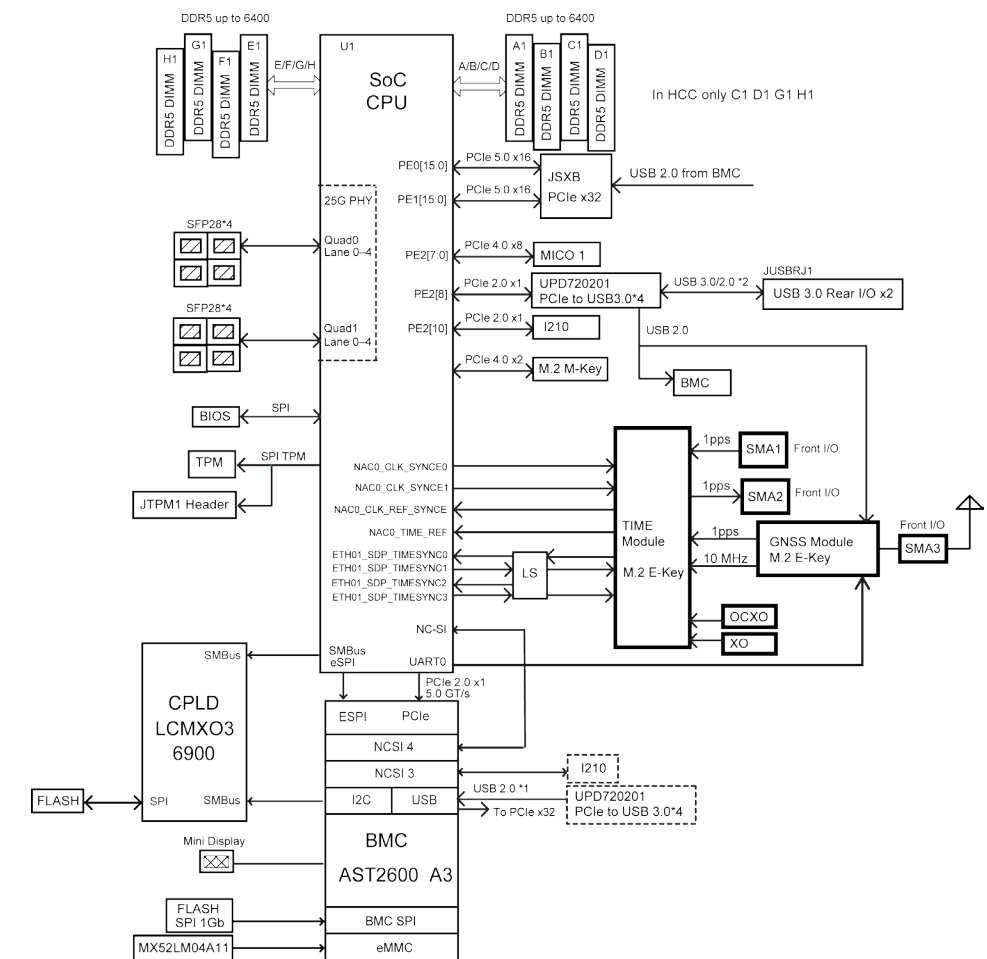
## Front Features



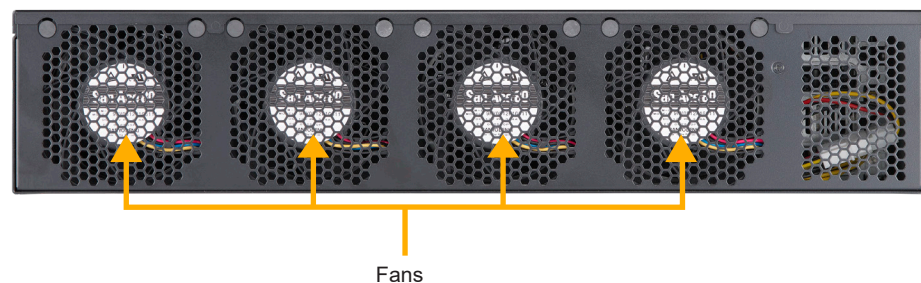
System Features: Front	
Feature	Description
Mini DisplayPort	One MiniDP port
Dry Contact Port	One RJ45 dry contact port (optional accessory)
SMA Ports	Three SMA (GNSS/one PPS in/one PPS out) ports <b>Important:</b> Do not exert more than 4.5 lbf-in (0.5 N-m) of torque when tightening the antennas or SMA cables. Tightening the antennas or SMA cables with excessive force can damage the SMA ports.
SFP28 LAN Ports	Eight SFP28 25 GbE LAN ports (Intel® SoC) (IPMI shared on LAN port 1)
IPMI LAN Port	One RJ45 1 GbE LAN port (Intel® I210-IT) (IPMI shared on LAN port 1)
USB Ports	Two USB 3.2 Gen1 Type-A ports
Control Panel	See "Control Panel" for more information
Power Supplies	Model: PWS-2K08F-1R, two 2000 W (AC) Redundant (1+1) 80 PLUS® Titanium level Model: PWS-1K30F-1R, two 1300 W (DC) Redundant (1+1)

Slot Description	
Slot	Description
1-2	PCIe 5.0 x16 FHHL

## Motherboard Block Diagram

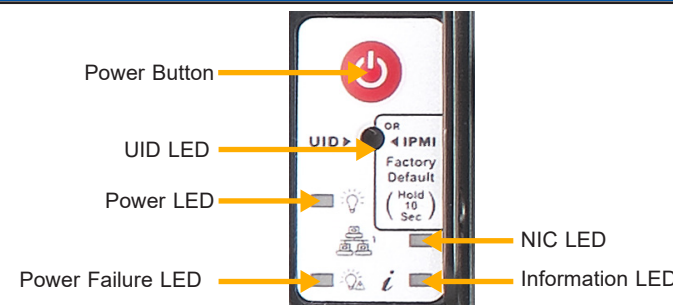


## Rear Features



System Features: Rear	
Feature	Description
Fans	Four 8-cm heavy-duty fans with optimal fan speed control

## Control Panel



Control Panel Features	
Feature	Description
Power Button	Button applying/removing main power. Standby power maintained when LED is off
UID LED	Blue unit identification (UID) LED activated for server location in a rack environment
Power LED	LED indicating power on (steady)
Power Fail LED	LED indicating power support module failure (flashing). LED is off during normal operation
NIC LED	LED which flashes to indicate network activity on the LAN port
Information LED	LED indicating system states

**UID Button/BMC Button:** The unit identification (UID) button turns on or off the blue light function of the Information LED. This button can also be used to reset the BMC.

## BMC Password

Each system comes with a unique default password for the ADMIN user.

This can be found on a sticker on the motherboard and another on the chassis service tag. If necessary, the password can be reset.

For more information, please visit:

<https://www.supermicro.com/en/solutions/management-software/bmcresources>

## Product Pages

SYS-212D-64C-FN8P



SYS-212D-72C-FN8P



MNL-2902-QRG-100

© 2026 Supermicro Computer Inc. All rights reserved. Reproduction of this document, whether in part or in whole, is strictly prohibited without Supermicro's written consent. All trademarks are property of their respective entities. All information provided is deemed accurate at the time of printing, however, it is not guaranteed.