

SUPERMICR® SuperServer® AS -3015MR-H5TNR Quick Reference Guide

WARNING: This product can expose you to chemicals including lead, known to the State of California to cause cancer and birth defects or other reproductive harm. For more information, go to www.P65Warnings.ca.gov.

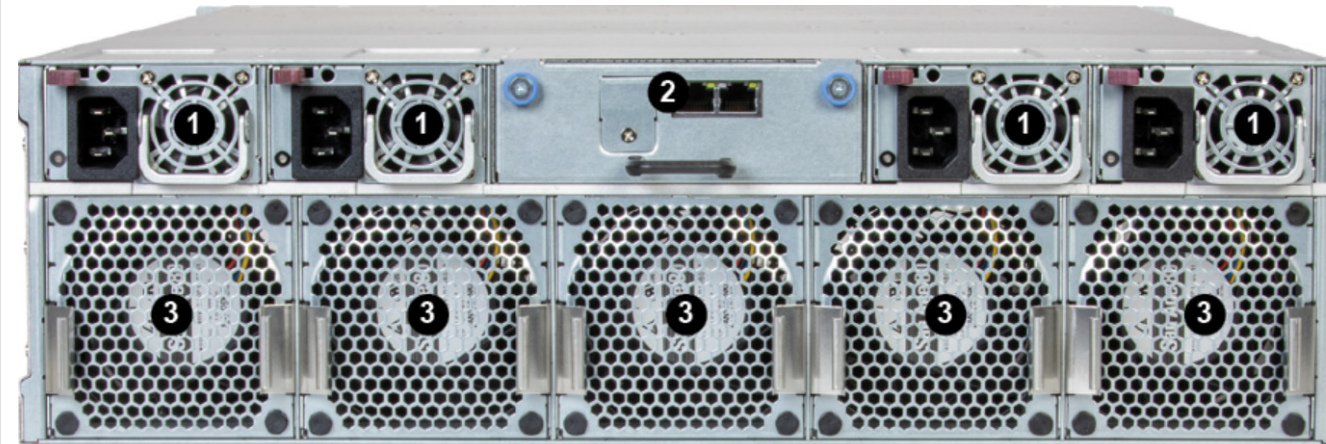
Front Features



System Node Features: Front

Feature	Description
1 to 5	Logical node numbers
1	One PCIe 5.0 x16 FHFL double-width or (optional) two PCIe 5.0 x8 (FHFL in slot 1, LP in slot 3)
2	Dual 1 GbE/10 GbE/25 GbE LAN port card (in PCIe 5.0 x4 MicroLP slot2)
3	Power Button/Status LED
4	IPMI port
5	KVM port
6	Optional PCIe 5.0 x8 slot3

Rear Features



System Features: Rear

Feature	Description
1	Power supplies (left to right: PWS1, PWS2, PWS3, PWS4)
2	1+1 dedicated, centralized IPMI management ports (cascade or redundancy modes) Cascade Mode: connect the first port to a management device and the second port to another server Redundancy Mode: connect each port to a different subnetwork switch Note: Do not connect both dedicated IPMI ports to the same network.
3	8-cm hot-swap fans

BMC Password

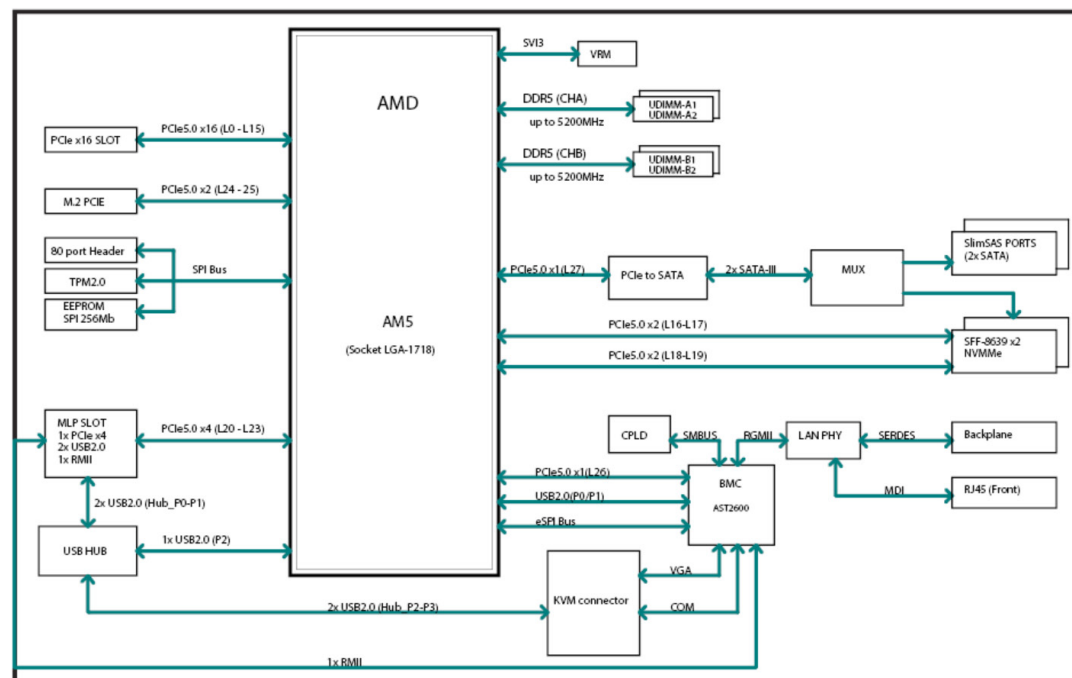
Each system comes with a unique default password for the ADMIN user. This can be found on a sticker on the motherboard and another on the chassis service tag. If necessary, the password can be reset.

For more information, please visit <https://www.supermicro.com/en/solutions/management-software/bmc-resources>

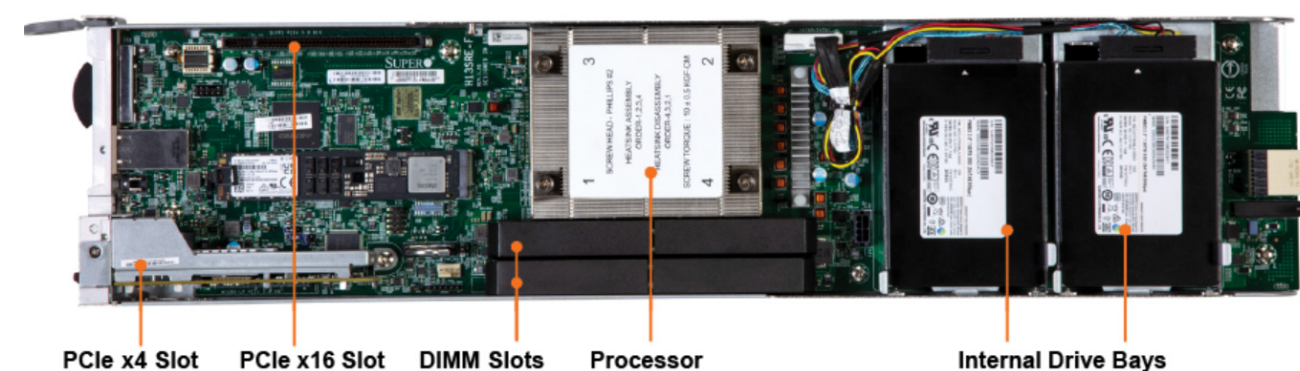
Product Page



System Block Diagram



Node Components



Feature	Description
Internal Drive Bays	Two internal 2.5" NVMe or SATA drives + (optional) two additional internal 2.5" SATA drive bays with optional bracket and cable connected to CN1.
Processor	Single AMD EPYC™ 4005/4004 or Ryzen™ 7000/9000 Series Processor
DIMM Slots	Four DDR5 DIMM slots
PCIe x16 Slot	One full-height, full-length PCIe 5.0 x16 slot
PCIe x4 Slot	One MicroLP PCIe 5.0 x4 slot

© 2025 Supermicro Computer Inc. All rights reserved. Reproduction of this document, whether in part or in whole, is strictly prohibited without Supermicro's written consent. All trademarks are property of their respective entities. All information provided is deemed accurate at the time of printing, however, it is not guaranteed.

MNL-2830-QRG-100