

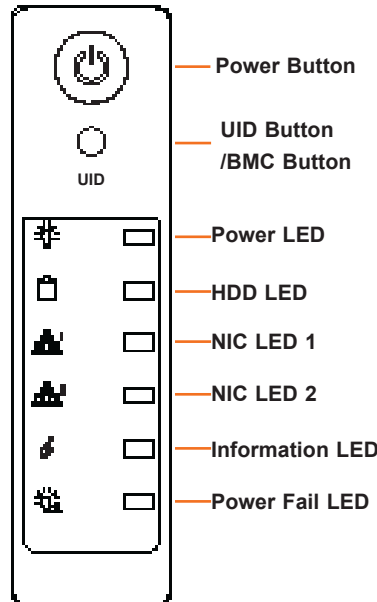
SUPERMICR® SuperServer® SYS-322GA-NR Quick Reference Guide

Front Features



System Features: Front (Default Configuration)

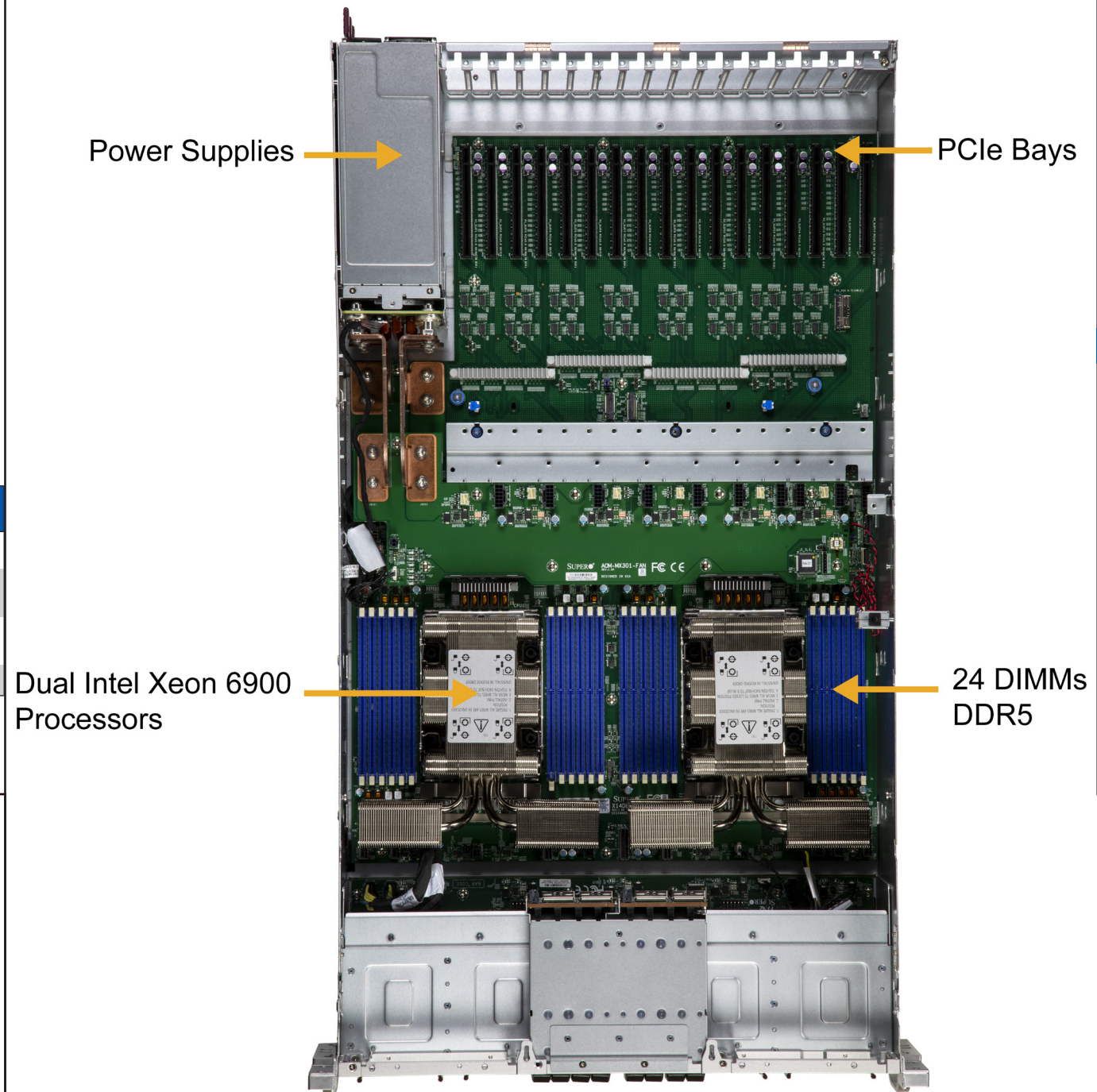
| Section | Slot Description | Notes |
|------------------|--|------------------------------------|
| 18, 19 | One PCIe GEN5 x16 (FHFL), or two PCIe x8 (FHFL), or two U.2 (2.5") slots, or six E.1S (15mm) slots | Only one configuration per section |
| 20, 21 | One PCIe GEN5 x16 (FHFL), or two PCIe x8 (FHFL), or two U.2 (2.5") slots, or six E.1S (15mm) slots | Only one configuration per section |
| 0, 1, 2, 3, 4, 5 | One PCIe GEN5 x16 (FHFL), or two PCIe x8 (FHFL) | Only one configuration per section |



| Information LED | |
|---|---|
| Color, Status | Description |
| Red, solid | An overheating condition has occurred |
| Red, blinking at 1 Hz | Fan failure, check for an inoperative fan |
| Red, blinking at 0.25 Hz | Power failure, check for a non-operational power supply |
| Red, blinking at 10 Hz | CPLD recovery mode error |
| Blue, solid | Unit ID has been activated by button |
| Blue, blinking at 1 Hz | Unit ID has been activated using the BMC |
| Blue, blinking at 2 Hz, and BMC Heartbeat LED on the motherboard is green | BMC is resetting |
| Blue, blinking at 4 Hz | BMC is setting factory defaults |
| Blue, blinking at 10 Hz | BIOS/BMC is recovering or updating |

UID Button/BMC Button—The unit identification (UID) button turns on or off the blue light function of the Information LED. This button can also be used to reset the BMC.

Top Features



System Features: Top

| Feature | Description |
|----------------|---|
| DIMM Slots | 24 DIMMs supporting up to 6 TB 6400 MT/s DDR5 RDIMM or 6 TB 8800 MT/s DDR5 MRDIMM |
| Drive Bays | 6/14 hot-swap E.1S NVMe drive bays or 2/4/6 hot-swap 2.5" NVMe drive bays |
| Processor | Dual Intel Xeon 6900-series Processors with P-cores up to 500 W |
| PCIe Slots | Up to 10 PCIe 5.0 x16 FHFL or 20 PCIe 5.0 x8 FHFL slots |
| Power Supplies | 3x 3200 W or 2700 W Redundant (2+1) Titanium Level power supplies |

BMC Password

Each system comes with a unique default password for the ADMIN user. This can be found on a sticker on the motherboard and another on the chassis service tag. If necessary, the password can be reset.

For more information, please visit <https://www.supermicro.com/en/solutions/management-software/bmc-resources>

Product Page



MNL-2837-QRG-100

© 2025 Supermicro Computer Inc. All rights reserved. Reproduction of this document, whether in part or in whole, is strictly prohibited without Supermicro's written consent. All trademarks are property of their respective entities. All information provided is deemed accurate at the time of printing, however, it is not guaranteed.